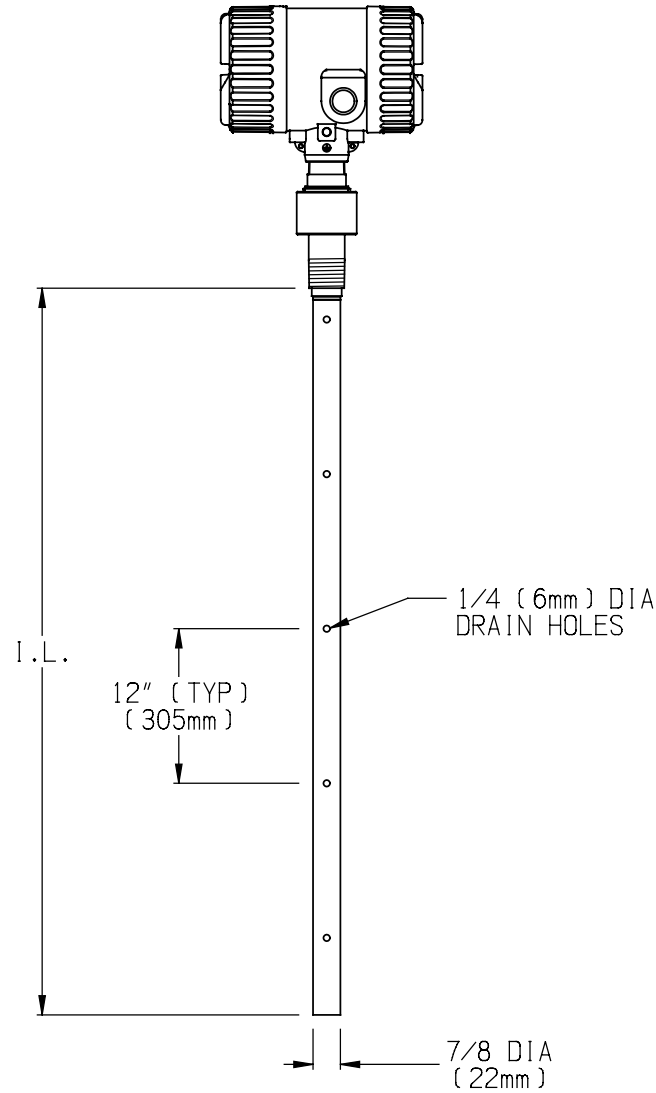


COAXIAL WAVE GUIDE CONFIGURATION

SEE SHEET 2 FOR HOUSING DIMENSIONS
AND MOUNTING OPTIONS



GWD1 316 SS
GWD2 HASTELLOY

NO. GWXX-CD3

CERTIFIED by _____
PO # _____
ENG _____
USER _____
DE # _____

1	9-09-108	JEN	3-17-10
ISS.	EDO/DSR NO.	APP'D	DATE

COPYRIGHT 2010
AMETEK DREXELBROOK
SCALE NONE
UNLESS OTHERWISE STATED
ALL DIMENSIONS IN INCHES (MM)
DR. JJS 2-4-10
CK. DWK 3-18-10

AMETEK®
DREXELBROOK

205 KEITH VALLEY RD
HORSHAM, PA 19044-9986

215-674-1234
FAX 215-674-2731

TDR
COAXIAL
WAVE GUIDE

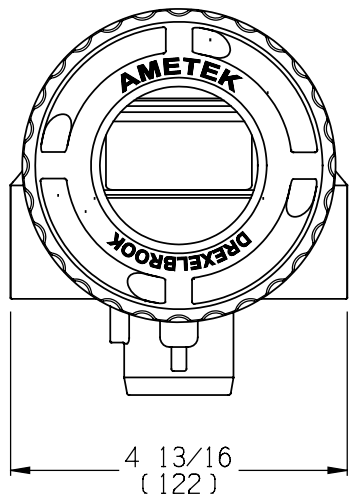
GWXX-CD3

SHT. 1 OF 2
ISS. 1 OF 2

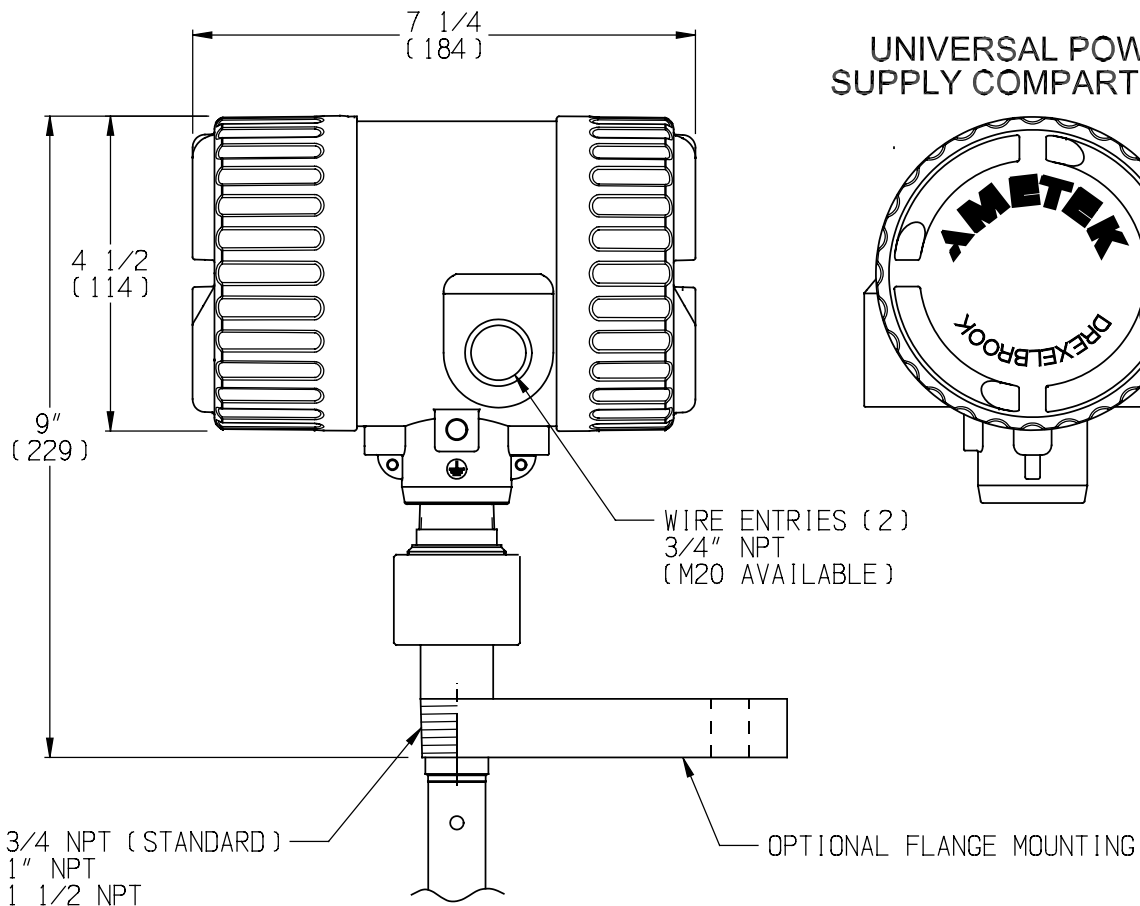
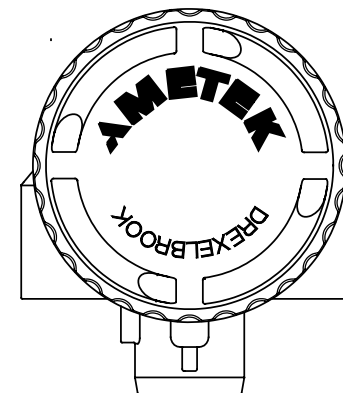
SHT 1 OF 2

DUAL COMPARTMENT HOUSING

ELECTRONICS & DISPLAY COMPARTMENT



UNIVERSAL POWER SUPPLY COMPARTMENT



CERTIFIED	by _____			COPYRIGHT 2010
PO # _____				AMETEK DREXELBROOK
ENG _____				SCALE NONE
USER _____				UNLESS OTHERWISE STATED
				ALL DIMENSIONS IN INCHES (MM)
	1	9-09-108	JEN	3-17-10
DE # _____	ISS.	EDO/DSR NO.	APP'D	DATE
				DR. JJS 2-4-10
				CK. DWK 3-18-10

AMETEK® DREXELBROOK

205 KEITH VALLEY RD
HORSHAM, PA 19044-9986

215-674-1234
FAX 215-674-2731

TDR
COAXIAL
WAVE GUIDE

GWXX-CD3

SHT. 2 OF 2
OF 2

ISS. 1

No. GWXX-CD3

SHT 2 OF 2