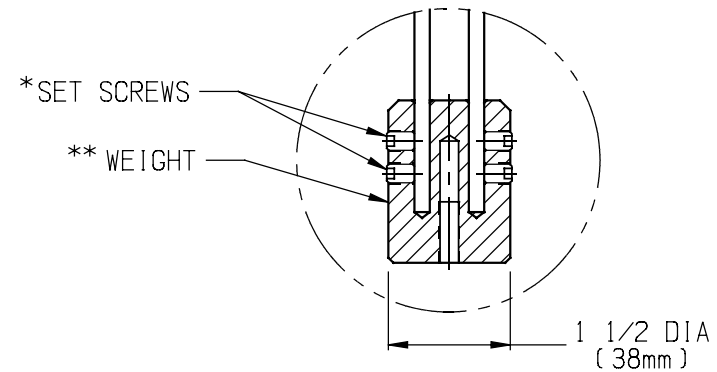
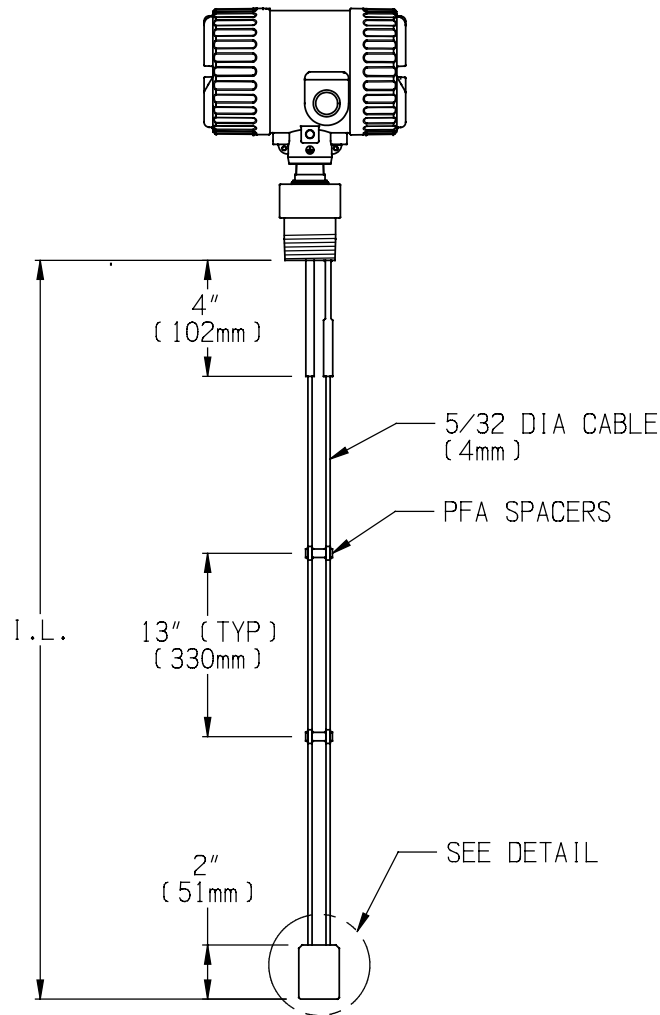


TWIN CABLE WAVE GUIDE CONFIGURATION

SEE SHEET 2 FOR HOUSING DIMENSIONS
AND MOUNTING OPTIONS

GWE1 316 SS



*REMOVE WEIGHT TO FIELD SHORTEN CABLE
**WEIGHT IS THREADED 1/4-20 UNC-2B x 3/4" DEEP

NO. GWXX-CD4

CERTIFIED	by _____			
PO #	_____	_____	_____	_____
ENG	_____	_____	_____	_____
USER	_____	_____	_____	_____
ISS.	1	9-09-108	JEN	3-17-10
EDO/DSR NO.	_____	_____	_____	_____
APP'D	_____	_____	_____	_____
DATE	_____	_____	_____	_____
DE #	_____	_____	_____	_____

COPYRIGHT 2010
AMETEK DREXELBROOK
SCALE NONE
UNLESS OTHERWISE STATED
ALL DIMENSIONS IN INCHES (MM)
DR. JJS 2-4-10
CK. DWK 3-18-10

AMETEK®
DREXELBROOK

205 KEITH VALLEY RD
HORSHAM, PA 19044-9986

215-674-1234
FAX 215-674-2731

TDR
TWIN CABLE
WAVE GUIDE

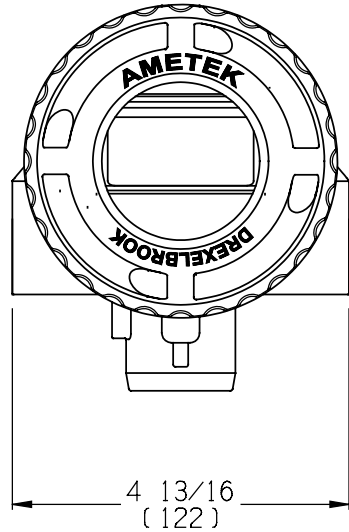
GWXX-CD4

SHT. 1 OF 2
OF 2
ISS. 1

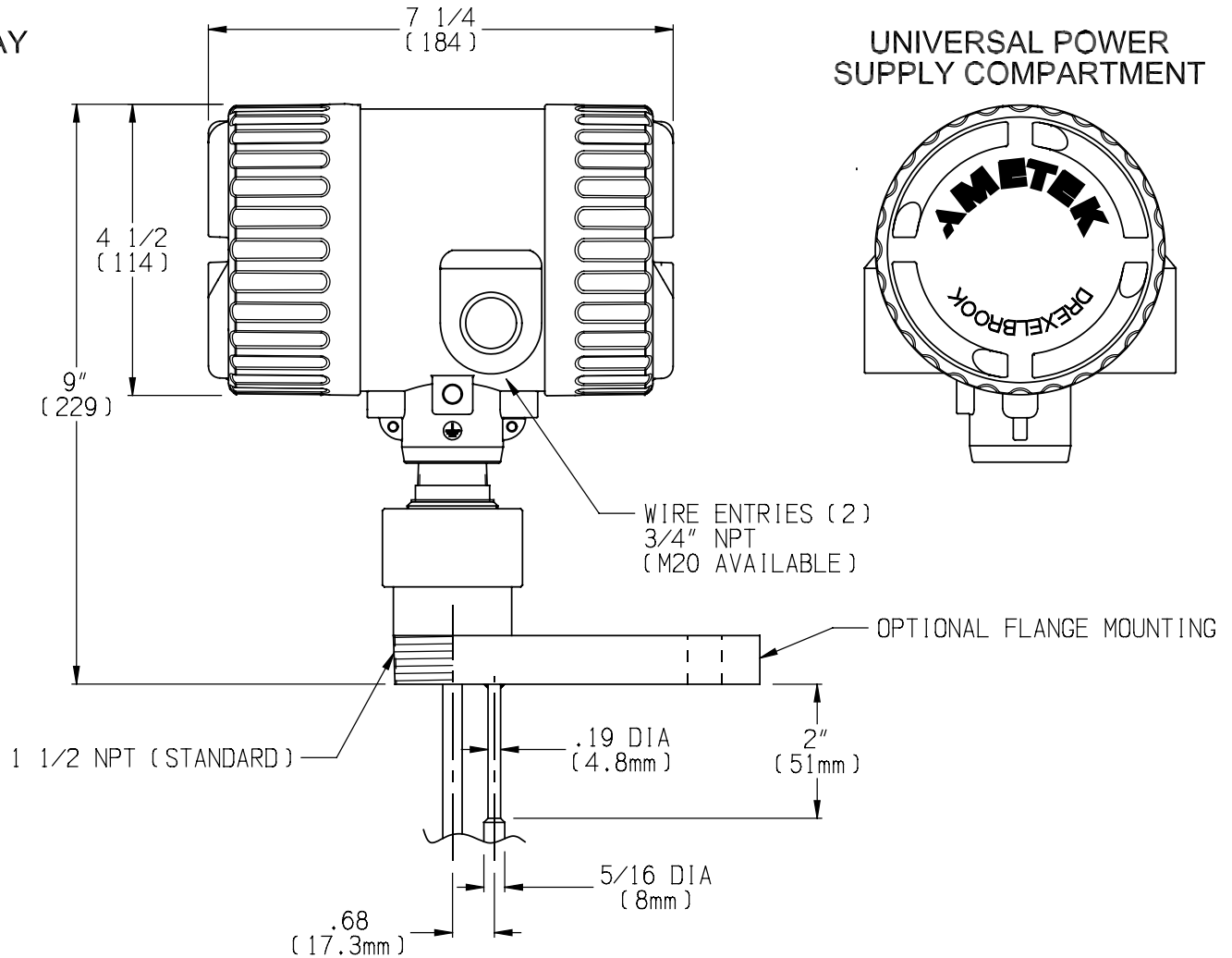
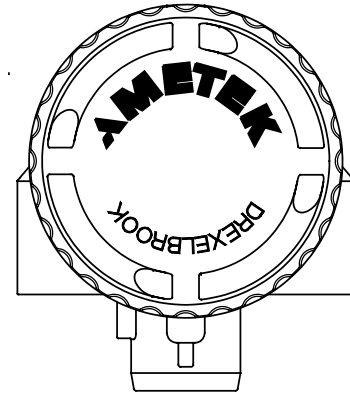
SHT 1 OF 2

DUAL COMPARTMENT HOUSING

ELECTRONICS & DISPLAY
COMPARTMENT



UNIVERSAL POWER
SUPPLY COMPARTMENT



CERTIFIED	by _____				COPYRIGHT 2010
PC # _____					AMETEK DREXELBROOK
ENG _____					SCALE NONE
USER _____					UNLESS OTHERWISE STATED ALL DIMENSIONS IN INCHES (MM)
					DR. JJS 2-4-10
	1	9-09-108	JEN	3-17-10	CK. DWK 3-18-10
DE # _____	ISS.	EDO/DSR NO.	APP'D	DATE	

AMETEK® DREXELBROOK

205 KEITH VALLEY RD
HORSHAM, PA 19044-9986

215-674-1234
FAX 215-674-2731

TDR
TWIN CABLE
WAVE GUIDE

GWXX-CD4

SHT. 2 OF 2
ISS. 1

No. GWXX-CD4

SHT 2 OF 2