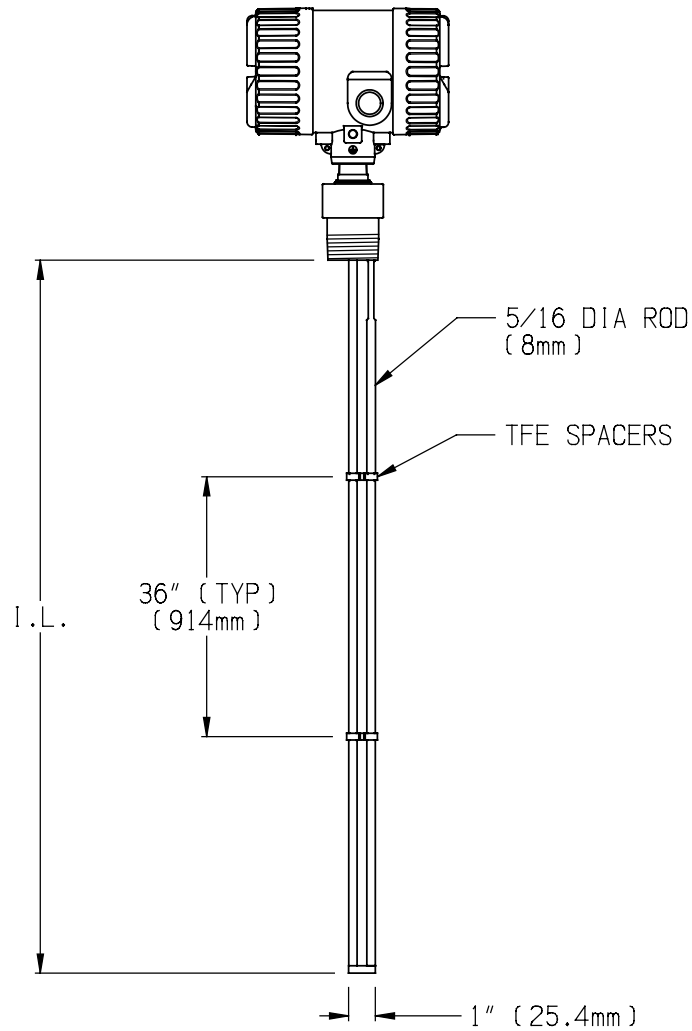


# TWIN ROD WAVE GUIDE CONFIGURATION

SEE SHEET 2 FOR HOUSING DIMENSIONS  
AND MOUNTING OPTIONS



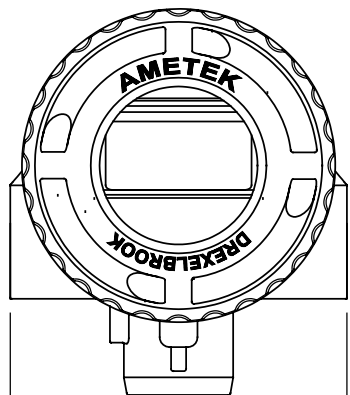
GWF1 316 SS  
GWF2 HASTELLOY

NO. GWXX-CD5

CERTIFIED	by _____				COPYRIGHT 2010		TDR TWIN ROD WAVE GUIDE	
PO #	_____				AMETEK DREXELBROOK			
ENG	_____				SCALE NONE	205 KEITH VALLEY RD HORSHAM, PA 19044-9986	215-674-1234 FAX 215-674-2731	
USER	_____				UNLESS OTHERWISE STATED ALL DIMENSIONS IN INCHES (MM)			
		1	9-09-108	JEN	3-17-10	DR. JJS 2-4-10	GWXX-CD5	
DE #		ISS.	EDD/DSR NO.	APP'D	DATE	CK. DWK 3-18-10		
							SHT. 1 OF 2	ISS. 1 OF 1

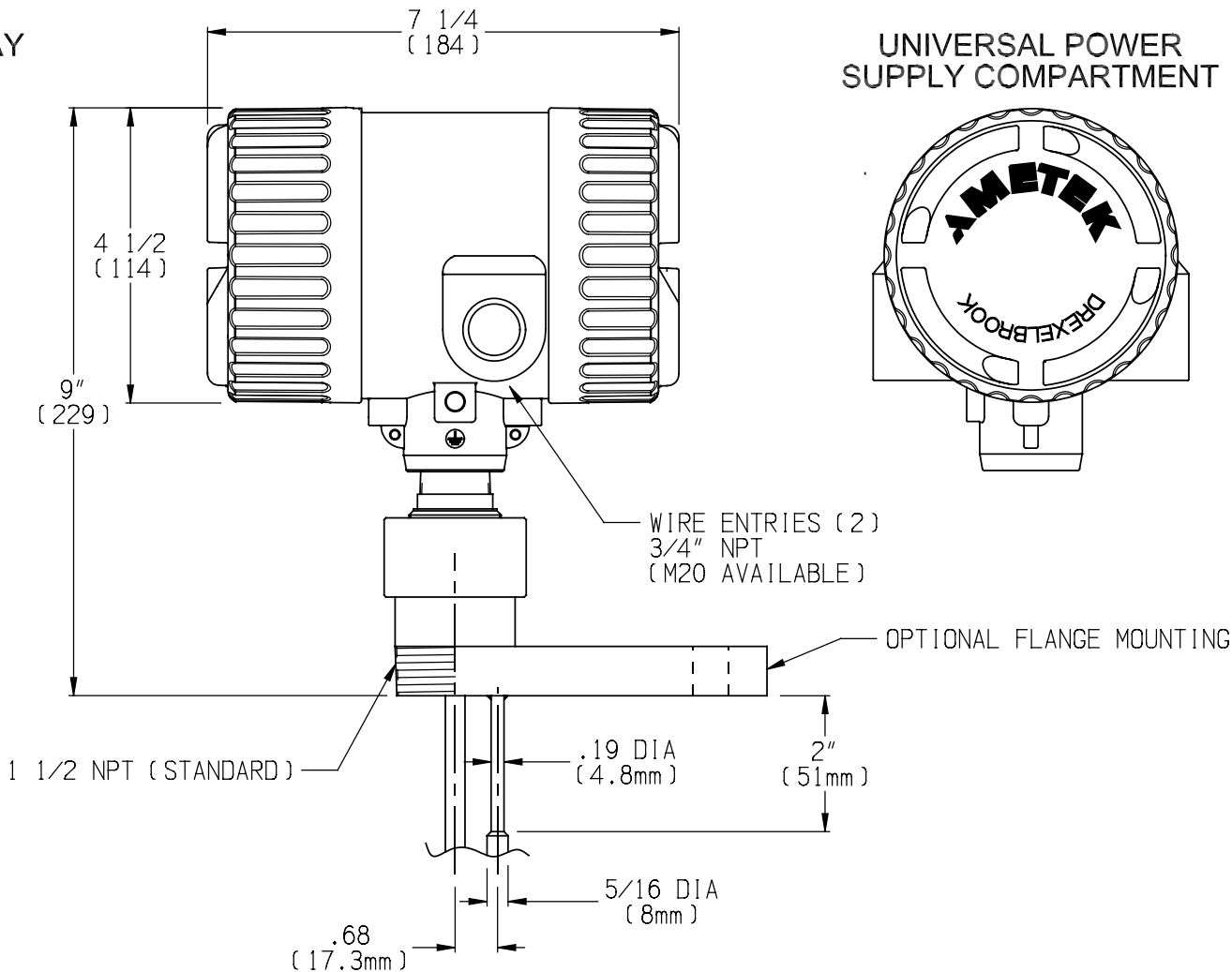
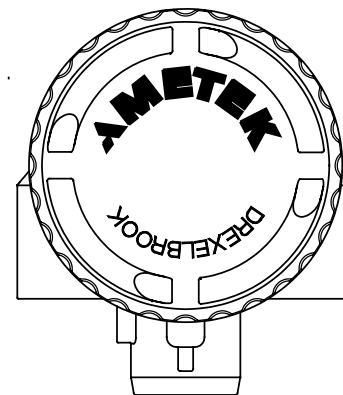
# DUAL COMPARTMENT HOUSING

ELECTRONICS & DISPLAY COMPARTMENT



4 13/16  
(122)

UNIVERSAL POWER SUPPLY COMPARTMENT



CERTIFIED	by _____			
PO #	_____			
ENG	_____			
USER	_____			
DE #	1	9-09-108	JEN	3-17-10
	ISS	EDO/DSR NO.	APP'D	DATE

COPYRIGHT 2010
AMETEK DREXELBROOK
SCALE NONE
UNLESS OTHERWISE STATED
ALL DIMENSIONS IN INCHES (MM)
DR. JJS 2-4-10
CK. DWK 3-18-10

**AMETEK®**  
**DREXELBROOK**

205 KEITH VALLEY RD  
HORSHAM, PA 19044-9986

215-674-1234  
FAX 215-674-2731

TDR  
TWIN ROD  
WAVE GUIDE

GWXX-CD5

SHT. 2 OF 2  
OF 2  
ISS. 1

NO. GWXX-CD5

SHT 2 OF 2