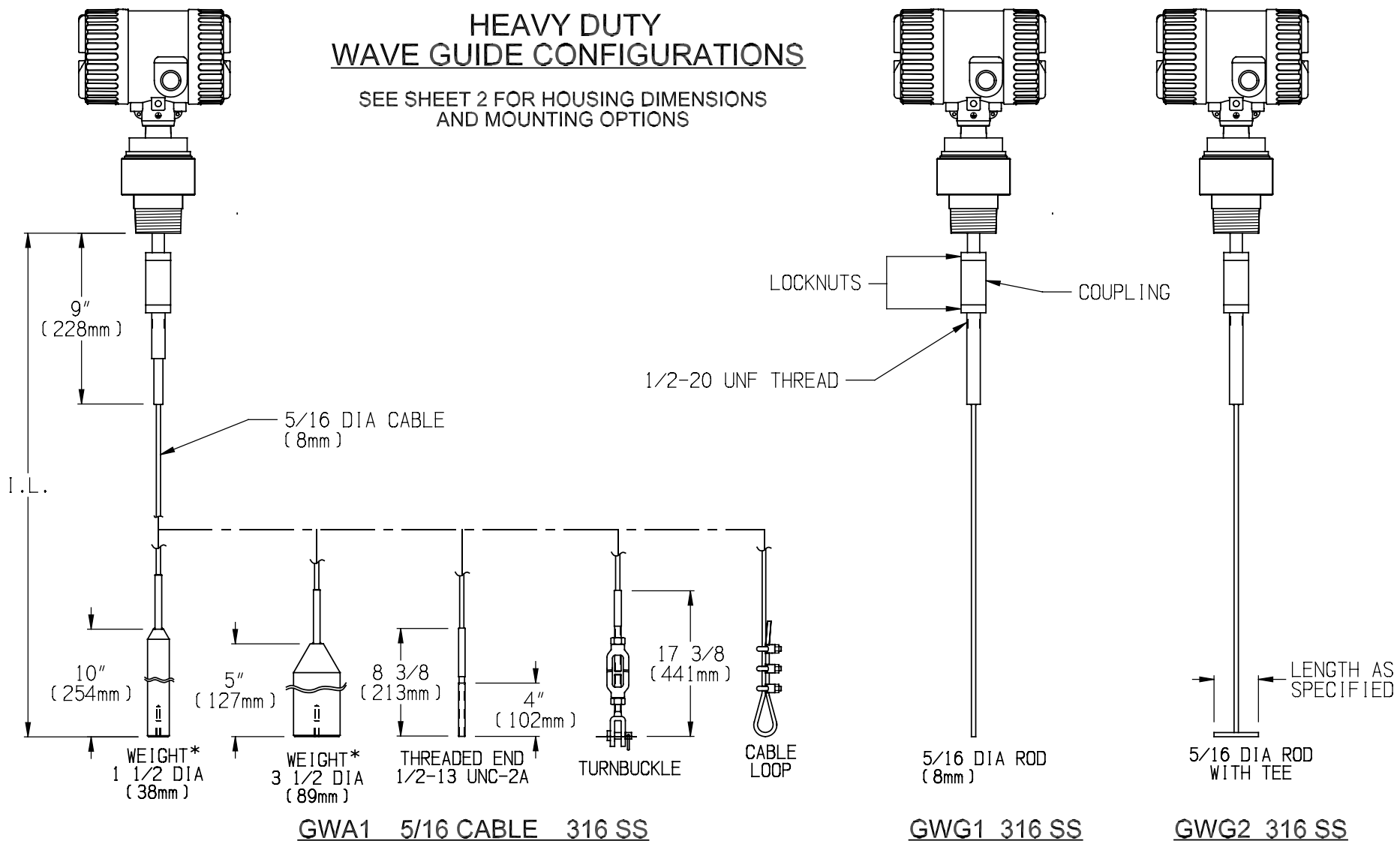


HEAVY DUTY WAVE GUIDE CONFIGURATIONS

SEE SHEET 2 FOR HOUSING DIMENSIONS
AND MOUNTING OPTIONS



*WEIGHT IS THREADED 1/2-13 UNC-2B x 1" DEEP

| | | | | |
|-----------|----------|----------------------|-----------|--|
| CERTIFIED | by _____ | | | COPYRIGHT 2010 |
| PO # | _____ | _____ | _____ | AMETEK DREXELBROOK |
| ENG | _____ | _____ | _____ | SCALE NONE |
| USER | _____ | _____ | _____ | UNLESS OTHERWISE STATED ALL DIMENSIONS IN INCHES (MM) |
| DE # | ISS. 1 | EDO/DSR NO. 9-09-108 | APP'D JEN | DATE 3-17-10 |
| | | | | DR. JJS 2-4-10 |
| | | | | CK. DWK 3-18-10 |

AMETEK®
DREXELBROOK

205 KEITH VALLEY RD
HORSHAM, PA 19044-9986

215-674-1234
FAX 215-674-2731

TDR
HEAVY DUTY
SINGLE CABLE,
SINGLE ROD
WAVE GUIDE

GWXX-CD1

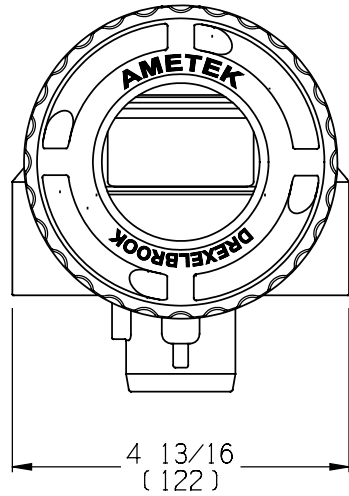
SHT. 1 OF 2
TSS. 1 OF 1

NO. GWXX-CD1

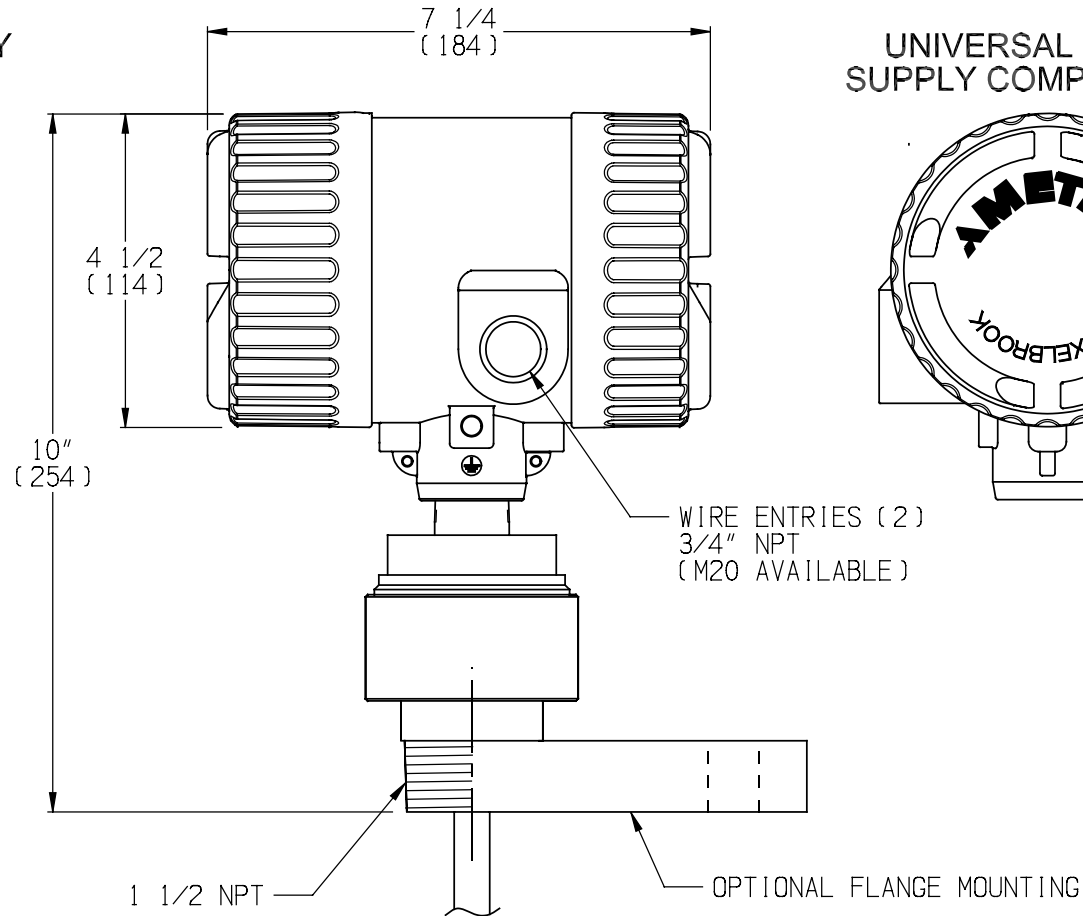
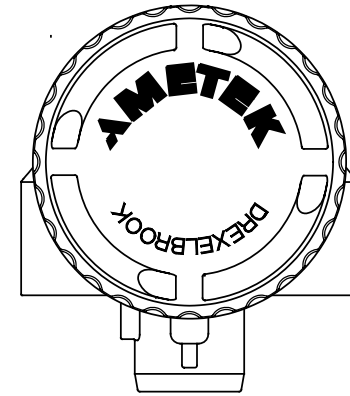
SHT. 1 OF 2

DUAL COMPARTMENT HOUSING

ELECTRONICS & DISPLAY COMPARTMENT



UNIVERSAL POWER SUPPLY COMPARTMENT



| | | | | |
|-----------|-------------|----------|------|--|
| CERTIFIED | by _____ | | | COPYRIGHT 2010 |
| PO # | _____ | | | AMETEK DREXELBROOK |
| ENG | _____ | | | SCALE NONE |
| USER | _____ | | | UNLESS OTHERWISE STATED ALL DIMENSIONS IN INCHES (MM) |
| | 1 | 9-09-108 | JEN | 3-17-10 |
| ISS. | EDO/DSR NO. | APP'D | DATE | DR. JJS 2-4-10 |
| DE # | | | | CK. DWK 3-18-10 |

AMETEK®
DREXELBROOK

205 KEITH VALLEY RD
HORSHAM, PA 19044-9986

215-674-1234
FAX 215-674-2731

TDR
HEAVY DUTY
SINGLE CABLE,
SINGLE ROD
WAVE GUIDE

GWXX-CD1

| | | | |
|---------|---|------|---|
| SHT. OF | 2 | TSS. | 1 |
| | 2 | | 1 |

No. GWXX-CD1
SHT 2 OF 2