

CERTIFIED	by _____			COPYRIGHT 2005
PO # _____				AMETEK DREXELBROOK
ENG _____				SCALE NONE
USER _____				UNLESS OTHERWISE STATED ALL DIMENSIONS IN INCHES (MM)
	2	9-05-244	DWK 9/21/05	DR. JJS 9-21-05
	1	5-05-331	DWK 7-19-05	CK. _____
DE # _____	ISS.	EDO/DSR NO.	APP'D	DATE

AMETEK[®]
DREXELBROOK

205 KEITH VALLEY RD.
HORSHAM, PA 19044-9986

215-674-1234
FAX 215-674-2731

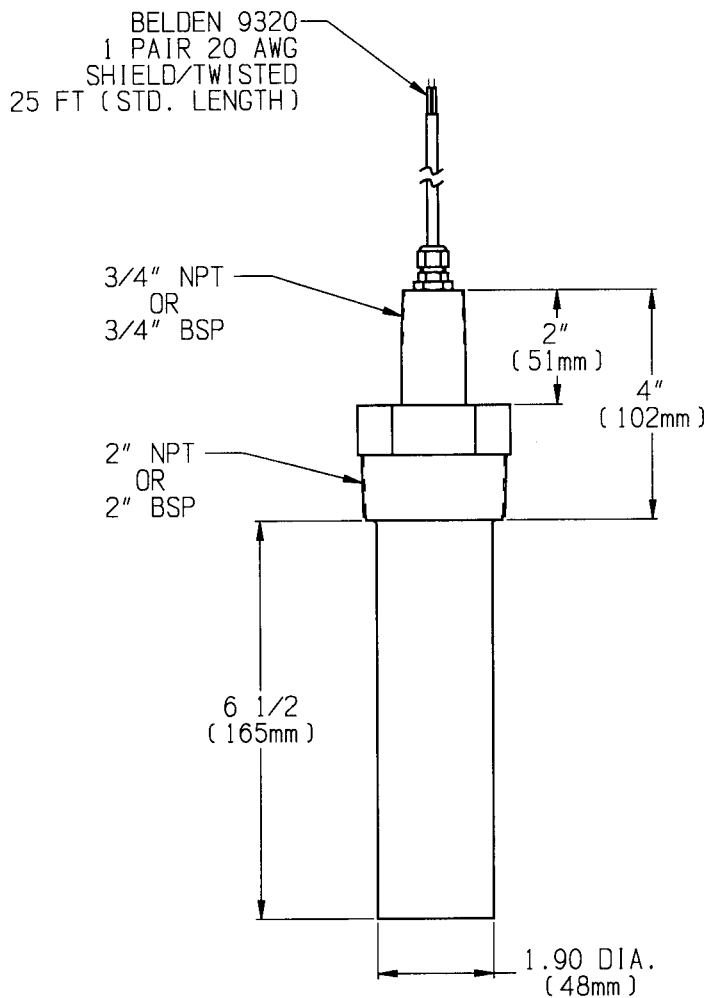
U Sonic-R[™]
DIMENSIONAL DIAGRAM

USR-XXXX-X-X-CD

SHT. 1 OF 3
ISS. 2

NO. USR-XXXX-X-X-CD

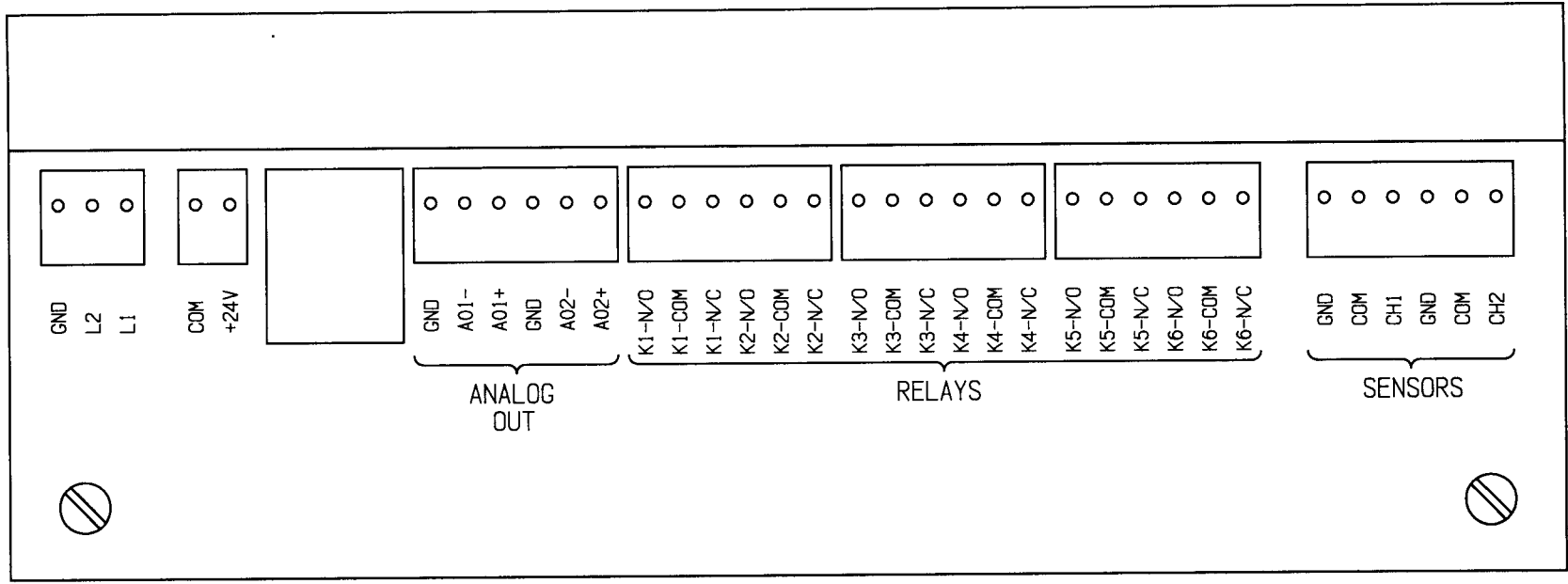
SHT 1 OF 3



TRANSDUCER

No. USR-XXXX-X-X-CD

CERTIFIED	by _____				COPYRIGHT 2005		U Sonic-R ^(TM) USS SERIES SENSOR(S) DIMENSIONS
PO # _____					AMETEK DREXELBROOK		
ENG _____					SCALE NONE	205 KEITH VALLEY RD HORSHAM, PA 19044-9986 215-674-1234 FAX 215-674-2731	USR-XXXX-X-X-CD
USER _____					UNLESS OTHERWISE STATED ALL DIMENSIONS IN INCHES (MM)		
		2	9-05-244	DWK	9/21/05		
		1	5-05-331	DWK	7-19-05	DR. JJS 9-21-05	
DE # _____	ISS.	EDO/DSR NO.	APP'D	DATE	CK.		SHIT. 2 OF 3 ISS. 2



WIRING CONNECTIONS

NO. USR-XXXX-X-X-CD

CERTIFIED	by _____					COPYRIGHT 2005
PO #	_____					AMETEK DREXELBROOK
ENG	_____					SCALE NONE
USER	_____					UNLESS OTHERWISE STATED ALL DIMENSIONS IN INCHES (MM)
		2	9-05-244	DWK	9/21/05	
		1	5-05-331	DWK	7-19-05	DR. JJS 9-21-05
DE #	_____	ISS.	EDD/DSR NO.	APP'D	DATE	CK. _____

AMETEK[®]
DREXELBROOK

205 KEITH VALLEY RD
 HORSHAM, PA 19044-9986

215-674-1234
 FAX 215-674-2731

U Sonic-R[™]
 WIRING TERMINAL DIAGRAM

USR-XXXX-X-X-CD

SHT. 3 OF 3
 OF 3
 ISS. 2

SHT. 3 OF 3