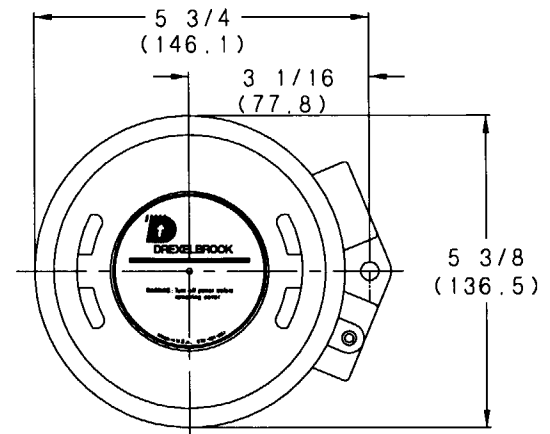
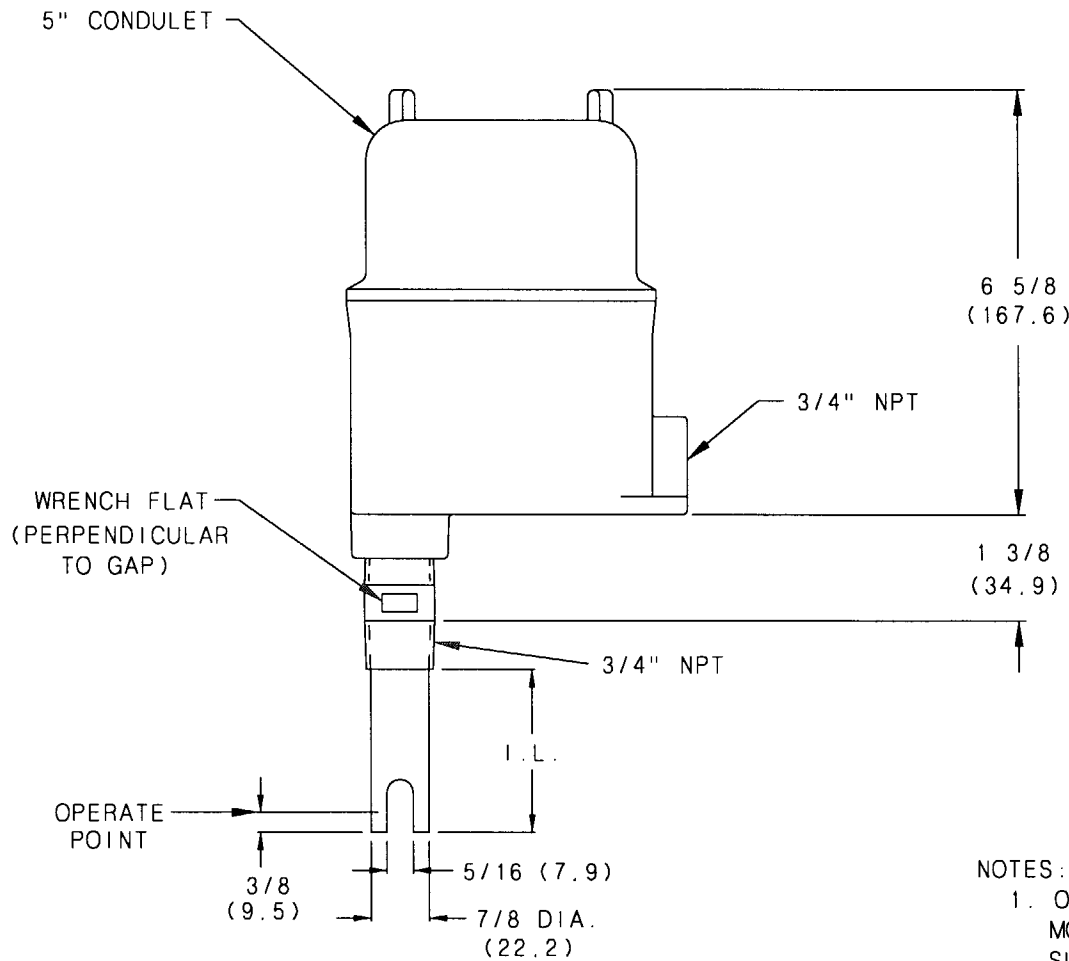


MOUNTING THE VERI-GAP WITH VERIFY HOUSING



NOTES:

- ON HORIZONTAL INSTALLATIONS THE SENSOR MUST BE MOUNTED SO THE WRENCH FLATS ARE PARALLEL TO THE SURFACE OF THE PROCESS MATERIAL. THIS WILL ALLOW THE GAP TO DRAIN FREELY.

CERTIFIED	by _____				COPYRIGHT 1997
PO # _____					DREXELBROOK ENG CO.
ENG _____					SCALE NONE
USER _____					UNLESS OTHERWISE STATED ALL DIMENSIONS IN INCHES (MM)
	A	7-16-97JPS	JPS	7-18-97	DR. AJK
	ISS	EDO/DSR NO	APP'D	DATE	CK. <i>WJC</i>

DREXELBROOK
Engineering Company

205 KEITH VALLEY RD
HORSHAM, PA 19044-9986

215-674-1234
FAX 215-674-2731

MOUNTING AND WIRING
THE 120/240 VAC VERI-GAP
WITH INTEGRAL VERIFY
ACTIVATION AND
INTEGRAL ELECTRONICS

504-1000-1-CD5

SHT. 1 OF 3
ISS OF 3 A

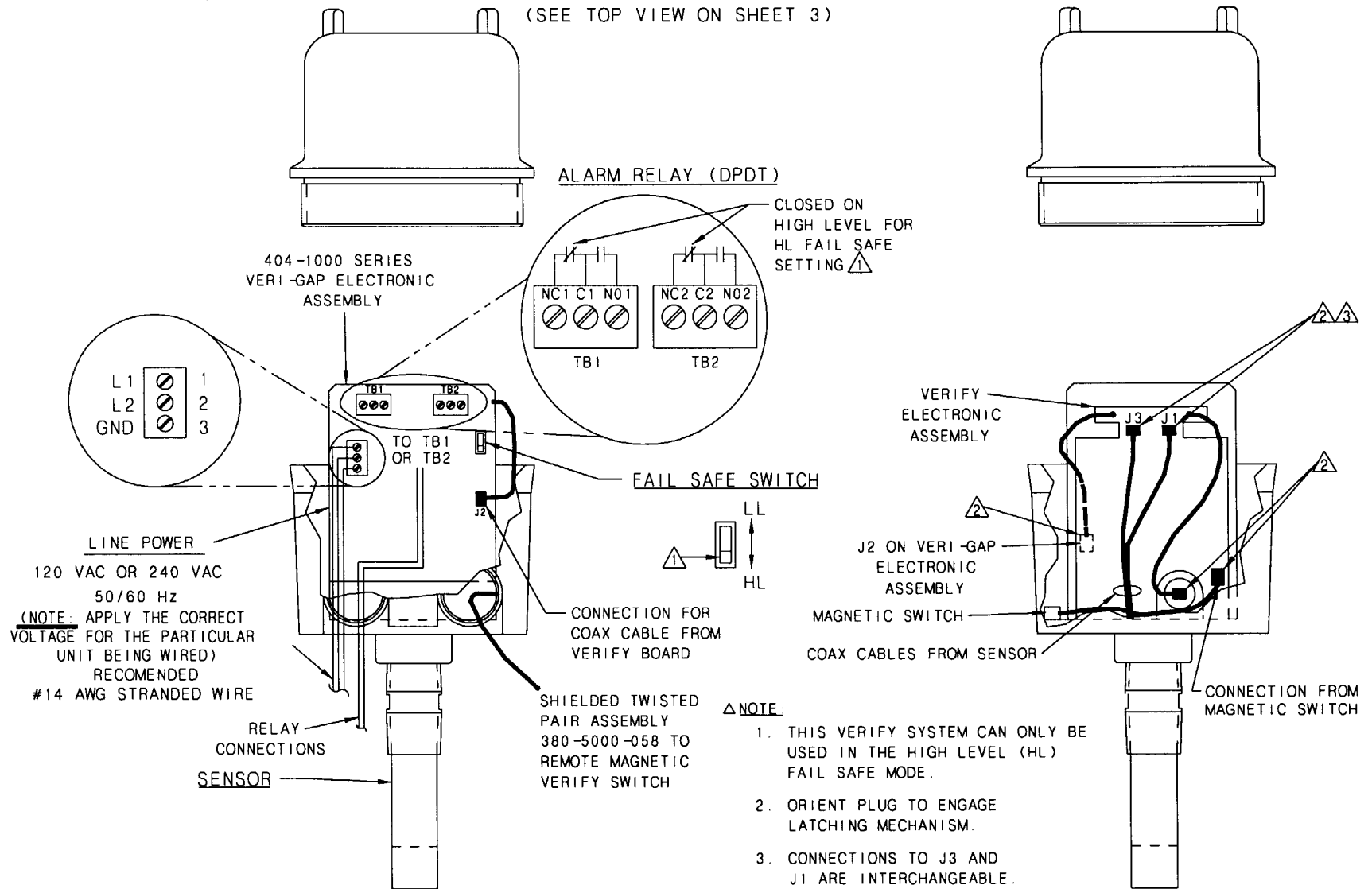
440-1/15-184 1/21

NO. 504-1000-1-CD5

SHT. 1 OF 3

WIRING THE VERI-GAP WITH VERIFY ELECTRONICS. FRONT AND BACK VIEWS

(SEE TOP VIEW ON SHEET 3)



440-115-184 (2)

NO. 504-1000-1 - CDS

SHT 2 OF 3

CERTIFIED	by _____				COPYRIGHT 1997
PO #	_____				DREXELBROOK ENG CO.
ENG	_____				SCALE NONE
USER	_____				UNLESS OTHERWISE STATED
					ALL DIMENSIONS IN INCHES (MM)
		1	4-97-246	JPS	7-18-97
DE #	_____	ISS	EDO/DSR NO.	APP'D	DATE
				DR. AJK	
				CK. <i>WOL</i>	

DREXELBROOK
Engineering Company

205 KEITH VALLEY RD
HORSHAM, PA 19044-9986

215-674-1234
FAX 215-674-2731

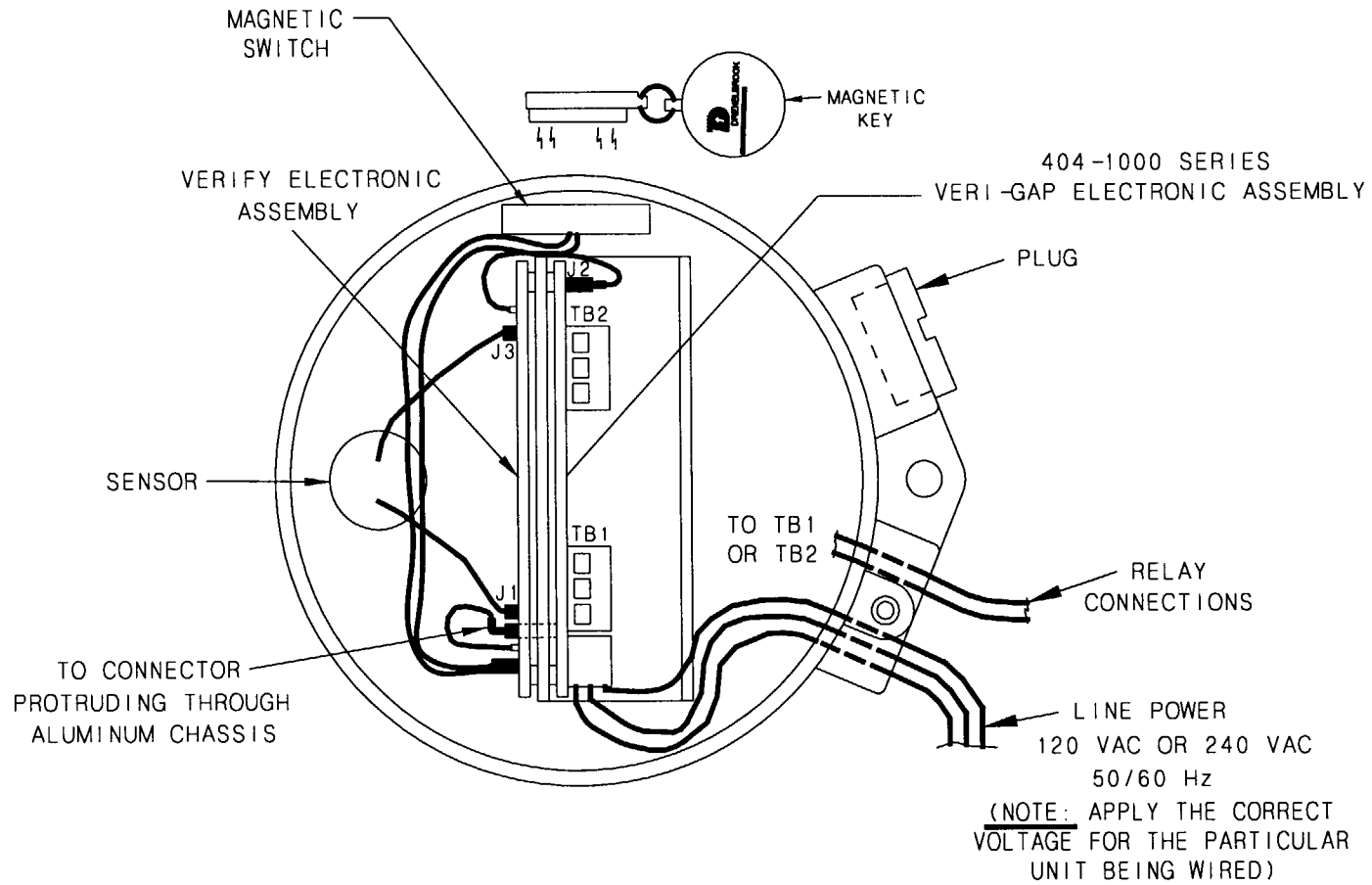
MOUNTING AND WIRING
THE 120/240 VAC VERI-GAP
WITH INTEGRAL VERIFY
ACTIVATION AND
INTEGRAL ELECTRONICS

504-1000-1 - CD5

SHT 2 OF 3


ISS A

WIRING THE VERI-GAP VERIFY ELECTRONICS, TOP VIEW
 (SEE FRONT AND BACK VIEWS ON SHEET 2)



△ NOTES:

1. APPLICATION OF KEY NEAR MAGNETIC SWITCH (TEST KEY AREA) WILL CHANGE RELAY'S CONTACT STATE.
2. RED LEAD IS CUT OFF.

CERTIFIED	by _____					COPYRIGHT 1997	 DREXELBROOK Engineering Company	MOUNTING AND WIRING THE 120/240 VAC VERI-GAP WITH INTEGRAL VERIFY ACTIVATION AND INTEGRAL ELECTRONICS		
PO #	_____					DREXELBROOK ENG CO.		504-1000-1-CD5		
ENG	_____					SCALE NONE				
USER	_____					UNLESS OTHERWISE STATED ALL DIMENSIONS IN INCHES (MM)	OF 3	ISS A		
DE #	_____	ISS	4-97-246	JPS	7-18-98	DR. AJK	205 KEITH VALLEY RD HORSHAM, PA 19044-9988		215-674-1234 FAX 215-674-2731	
		EDO/DSR NO.		APP'D		CK. <i>WV</i>				

440-115-184 (2)

NO. 504-1000-1-CD5

SHT 3 OF 3