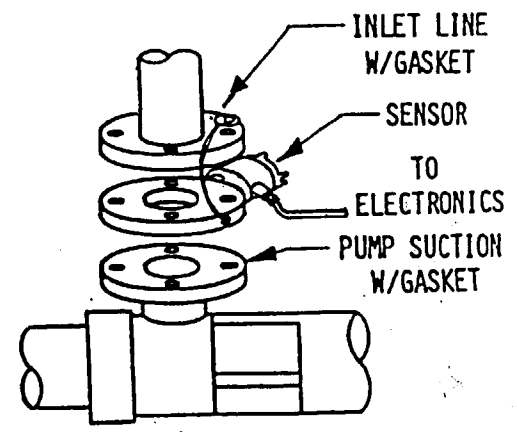


(1) SYSTEM MODEL NO.	(2) PIPE SIZE ⓐ	(3) O.D. "A" ⓑ	(4) I.D. "B" ⓒ	(5) NUMBER OF HOLES	(6) DIA OF HOLES "C"	(7) DIA OF BOLT CIRCLE "D"	(8) WIDTH "E"	(9) WETTED PARTS ⓓ	(10) SENSOR MOUNT- ING ⓔ
506-7001-020	2	6	2.14	4	3/4	4-3/4	1-11/16	TFE /316 LSS	Vert only
506-7001-030	3	7-1/2	3.15	4	3/4	6	2-1/8	TFE /316 LSS	Vert only
506-7001-040	4	9	4.12	8	3/4	7-1/2	2-3/8	TFE /316 LSS	Vert. only
506-7001-060	6	11	6.20	8	7/8	9-1/2	1-15/16	TFE /316 LSS	Vert only

- ⓐ Sensor mates with ANSI 150-lb flat-face flanges in nominal pipe sizes as noted.
- ⓑ "B" dimension is slightly larger than schedule 40 nominal pipe I D
- ⓒ For other metal wetted parts, such as Hastelloy C, Alloy 20, etc, consult factory
- ⓔ Vert. only: sensor must be mounted in a vertical run of pipe or sloping pipe run so that material will drain



TYPICAL INSTALLATION

NOTE: SENSOR MUST BE INSTALLED IN VERTICAL LINE.

CERTIFIED	by _____					COPYRIGHT 1999
PO # _____						DREXELBROOK ENG CO.
ENG _____						SCALE NONE
USER _____						UNLESS OTHERWISE STATED ALL DIMENSIONS IN INCHES (MM)
		2	7-98-302	Jex	8499	DR. JL 7-14-99
		1	4-96-245	-	-	CK. ASK
DE # _____	ISS.	EDO/DSR NO.	APP'D	DATE		

DREXELBROOK
Engineering Company

205 KEITH VALLEY RD
HORSHAM, PA 19044-9986

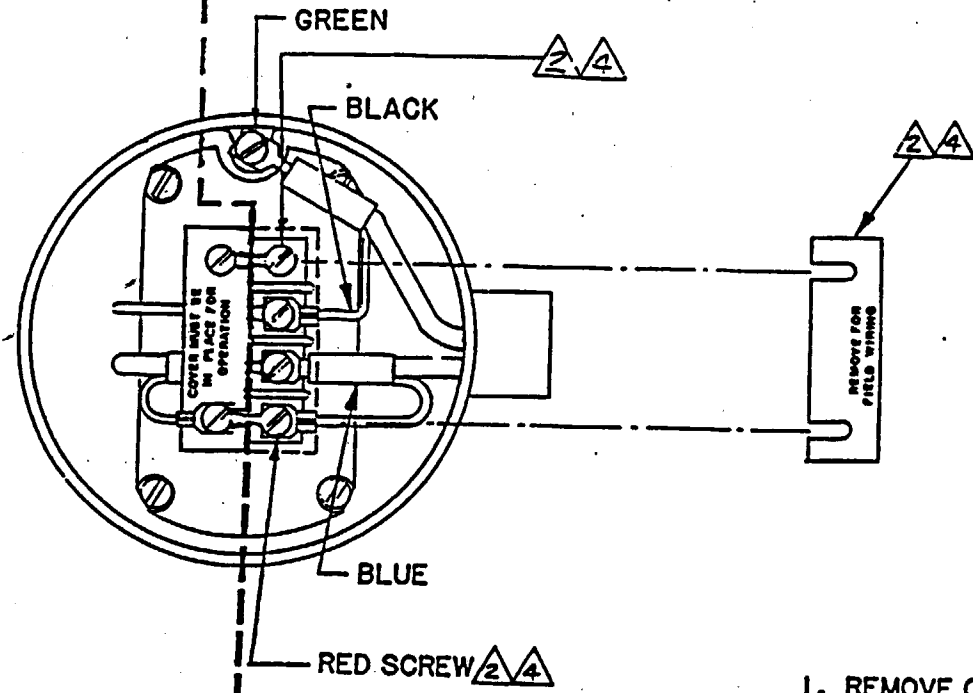
215-874-1234
FAX 215-874-2731

MOUNTING & WIRING DIAGRAM
FOR IN-LINE FLUID DETECTOR
506-7001-XXX
OPTIONAL HOUSING

506-7001-1-CD

SHT. 1	ISS
OF 4	2

ALWAYS PRE-WIRED BY FACTORY ← CUSTOMER CONNECTIONS (TYPICALLY PRE-WIRED BY FACTORY)



1. REMOVE CONDULET COVER.
2. LOOSEN SCREWS AND REMOVE THE COVER LABELLED " REMOVE FOR FIELD WIRING."
3. WIRE THE GREEN, BLACK, AND BLUE MEASURING CABLE LEADS TO THE CORRESPONDING COLOR-CODED SCREWS AS SHOWN ABOVE.
4. SLIP THE COVER BACK UNDER THE SCREWS, SLIP THE RED LUG UNDER THE RED SCREW AND TIGHTEN BOTH SCREWS.
5. REPLACE CONDULET COVER.

CERTIFIED	by _____				
PO #	_____				
ENG	_____				
USER	_____				
		2	7-98-302	<i>ASK</i>	8-9-99
		1	4-96-245	-	-
DE #	_____	ISS.	EDO/DSR NO.	APP'D	DATE

COPYRIGHT 1999
 DREXELBROOK ENG CO.
 SCALE NONE
UNLESS OTHERWISE STATED ALL DIMENSIONS IN INCHES (MM)
 DR. JL 7-14-99
 CK. *ASK*



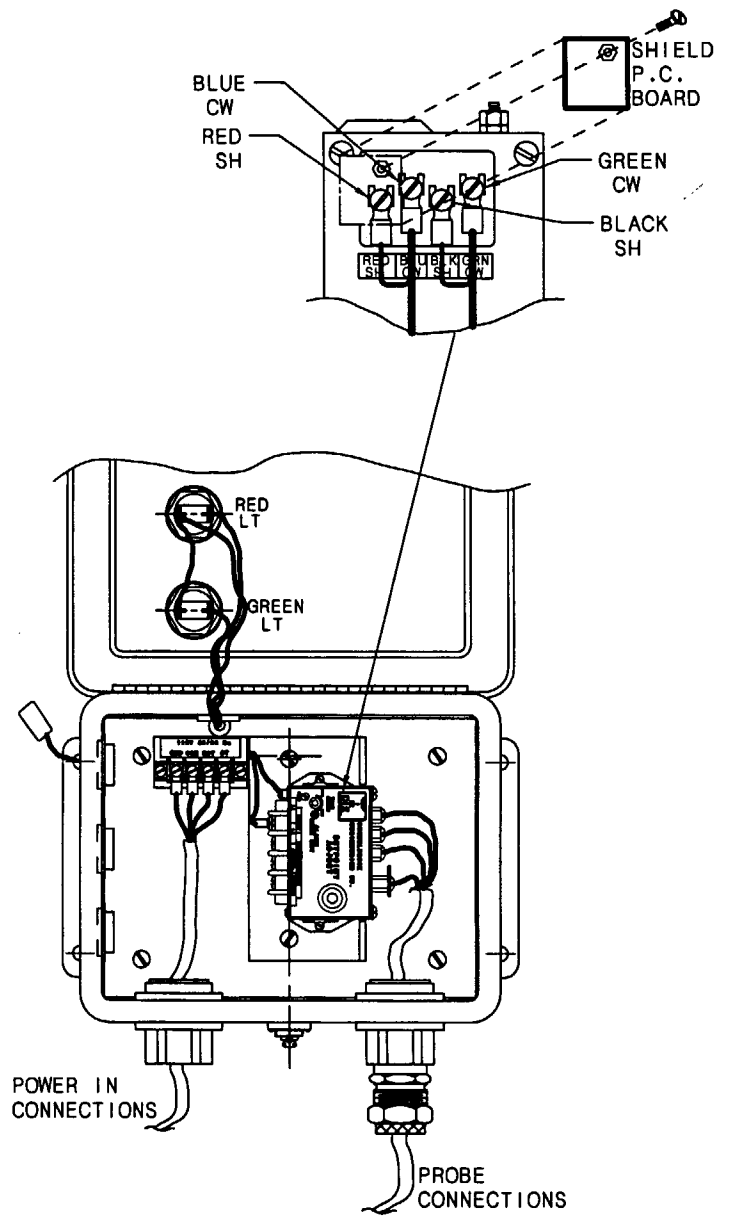
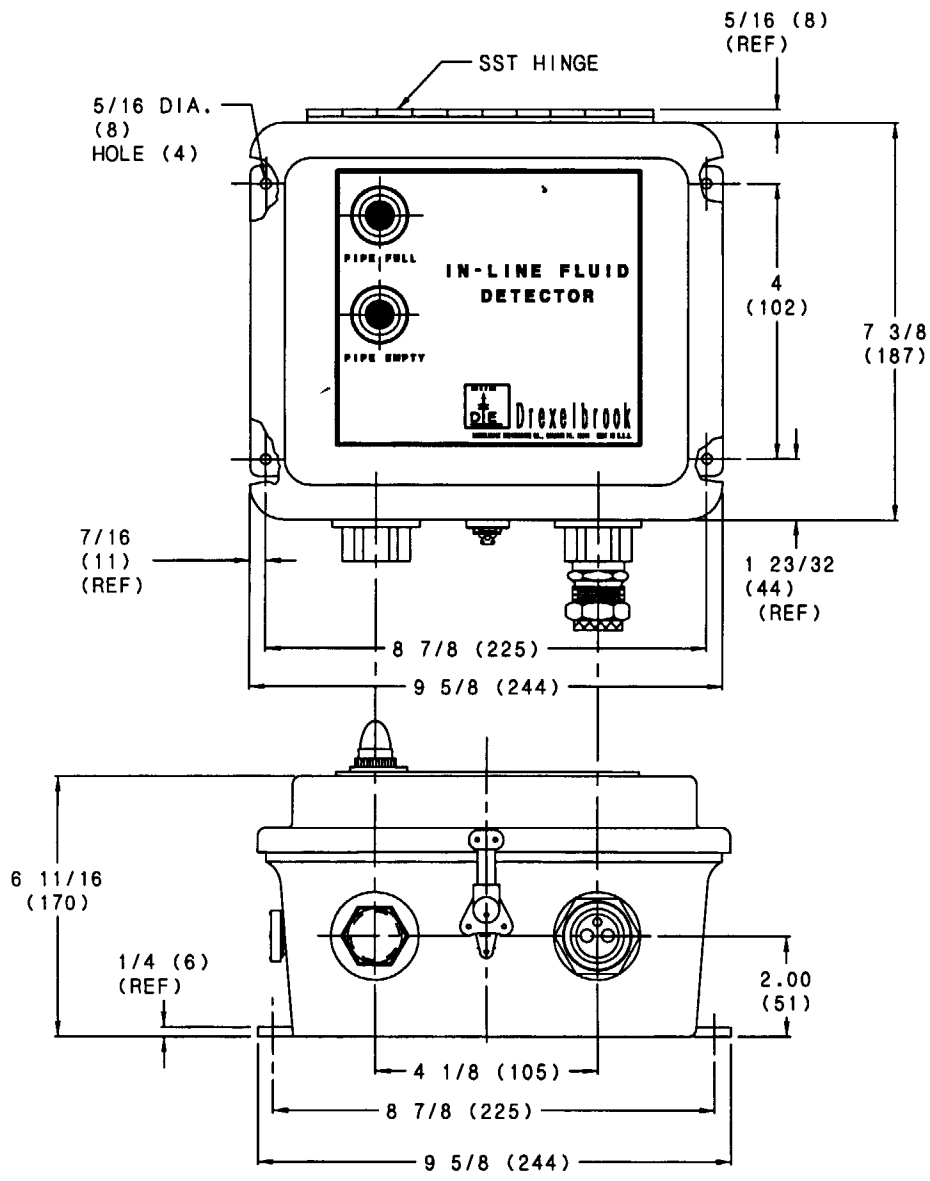
DREXELBROOK
 Engineering Company

205 KEITH VALLEY RD
 HORSHAM, PA 19044-9988

215-674-1234
 FAX 215-674-2731

MOUNTING & WIRING DIAGRAM
 FOR IN-LINE FLUID DETECTOR
 506-7001-XXX
 OPTIONAL HOUSING

506-7001-1-CD SHT. 2 OF 4 ISS. 2 OF 4



CERTIFIED	by _____			
PO #	_____			
ENG	_____			
USER	_____			
		2	7-98-302	Jex 8-9-99
		1	4-96-245	- -
DE #	_____	ISS.	EDO/DSR NO.	APP'D
				DATE

COPYRIGHT 1999
 DREXELBROOK ENG CO.
 SCALE NONE
 UNLESS OTHERWISE STATED
 ALL DIMENSIONS IN INCHES (MM)
 DR. JL 7-14-99
 CK. ASK

DREXELBROOK
 Engineering Company

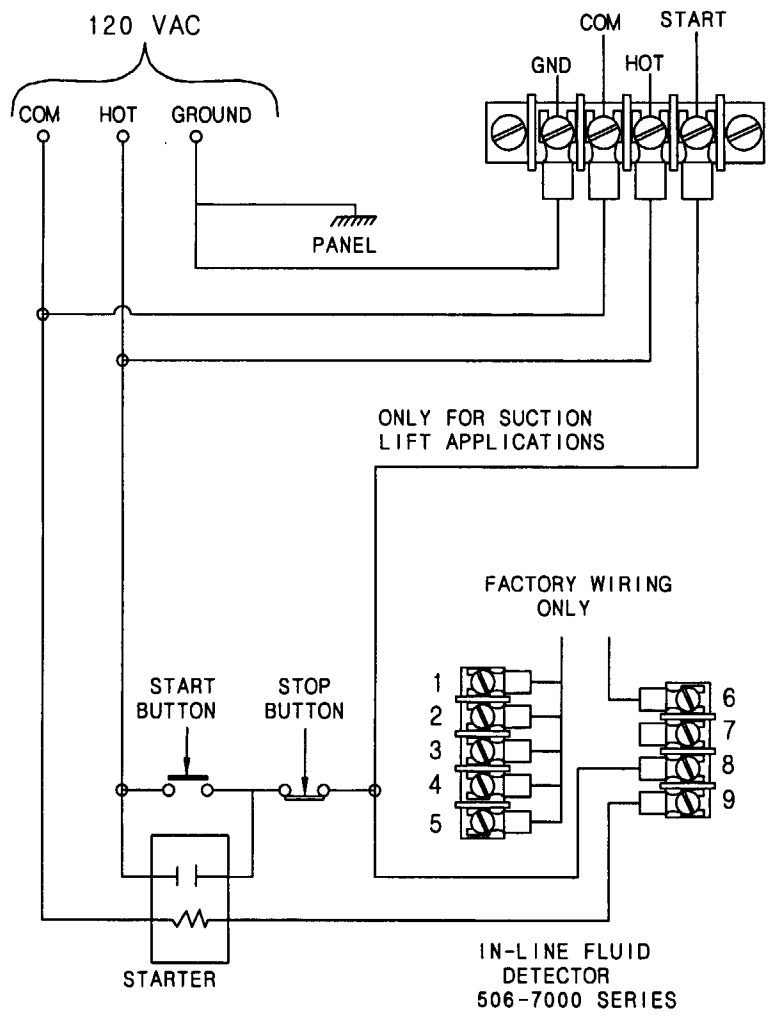
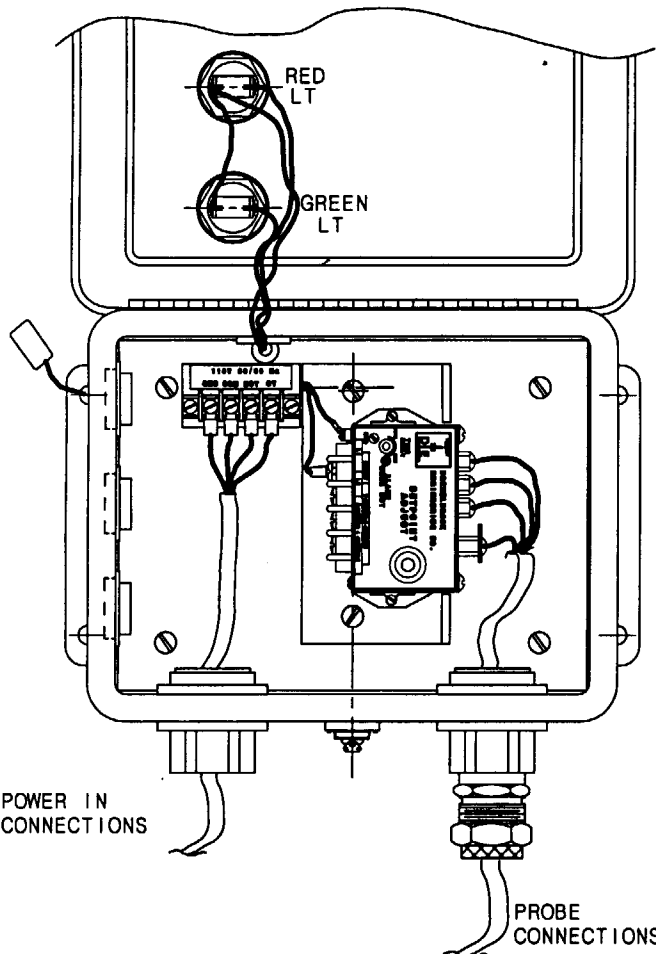
205 KEITH VALLEY RD
 HORSHAM, PA 19044-9986

215-674-1234
 FAX 215-674-2731

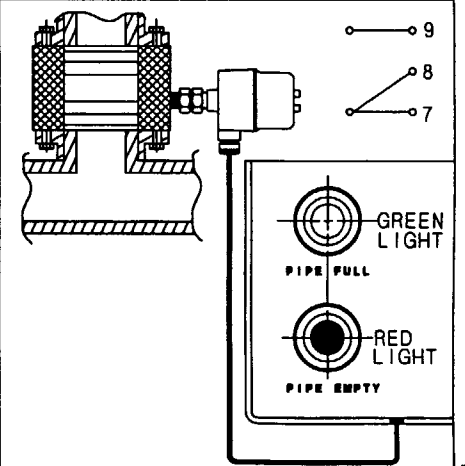
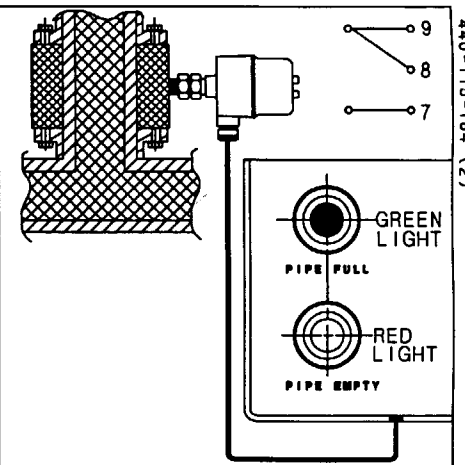
MOUNTING & WIRING DIAGRAM
 FOR IN-LINE FLUID DETECTOR
 506-7001-XXX
 OPTIONAL HOUSING

506-7001-1-CD

SHT. 3 OF 4
 ISS OF 2



POWER AND RELAY WIRING



NOTES:
1. MATING FLANGES MUST BE FLAT-FACES.

CERTIFIED	by _____				COPYRIGHT 1998
PO #					DREXELBROOK ENG CO.
ENG					SCALE NONE
USER					UNLESS OTHERWISE STATED
	2	7-98-302	<i>Jet</i>	<i>8/9/97</i>	ALL DIMENSIONS IN INCHES (MM)
	1	4-96-245	-	-	DR. JL 7-16-98
DE #	ISS	EDO/DSR NO.	APP'D	DATE	CK. <i>ASK</i>

DREXELBROOK
Engineering Company

205 KEITH VALLEY RD
HORSHAM, PA 19044-9986

215-874-1234
FAX 215-874-2731

MOUNTING & WIRING DIAGRAM
FOR IN-LINE FLUID DETECTOR
506-7001-XXX
OPTIONAL HOUSING

506-7001-1-CD SHT. 4 OF 4 ISS 2

440-115-184 (2)

NO. 506-7001-1-CD

SHT 4 OF 4