
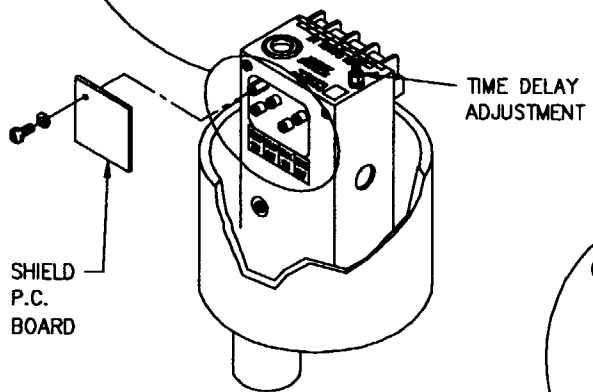
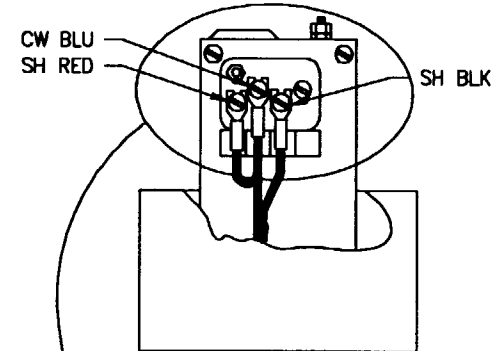


(1) SYSTEM MODEL NO.	(2) PIPE SIZE ①	(3) O.D. "A" ②	(4) I.D. "B" ②	(5) NUMBER OF HOLES	(6) DIA. OF HOLES "C"	(7) DIA. OF BOLT CIRCLE "D"	(8) WIDTH "E"	(9) WETTED PARTS	(10) SENSOR MOUNT- ING ③
506-7004-920	2	6	2.14	4	3/4	4-3/4	1.69	TEFLON, HAST C	VERT. ONLY
506-7004-930	3	7-1/2	3.15	4	3/4	6	2.14	TEFLON, HAST C	VERT. ONLY
506-7004-940	4	9	4.12	8	3/4	7-1/2	2.37	TEFLON, HAST C	VERT. ONLY
506-7004-960	6	11	6.20	8	7/8	9-1/2	2.94	TEFLON, HAST C	VERT. ONLY

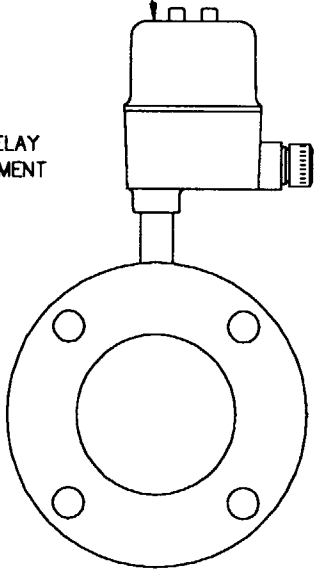
- ① SENSOR MATES WITH ANSI 150-lb FLAT FACE FLANGES IN NOMINAL PIPE SIZES AS NOTED.
- ② "B" DIMENSION IS SLIGHTLY LARGER THAN SCHEDULE 40 NOMINAL PIPE I.D.
- ③ VERT. ONLY: SENSOR MUST BE MOUNTED IN A VERTICAL RUN OF PIPE OR SLOPING PIPE RUN SO THAT MATERIAL WILL DRAIN.

CERTIFIED _____ by _____ PD # _____ ENG _____ USER _____					COPYRIGHT 1993 DREXELBROOK ENG CO.		 DREXELBROOK Engineering Company	MOUNTING & WIRING DIAGRAM FOR 3-TERMINAL IN-LINE SYSTEMS 506-7004 SERIES
					SCALE NONE UNLESS OTHERWISE STATED ALL DIMENSIONS IN INCHES (DIM)			
DE # _____	1	10-92-165	11/10/93	3-5-93	DR. JL 2-10-93	205 KEITH VALLEY RD HORSHAM, PA 19044-9986	215-674-1234 FAX 215-674-2731	506-7004-900 CD SH1 1 OF 2
	ISS. EDO/DSR NO.	APP'D	DATE	CK. ASK				ISS. 1

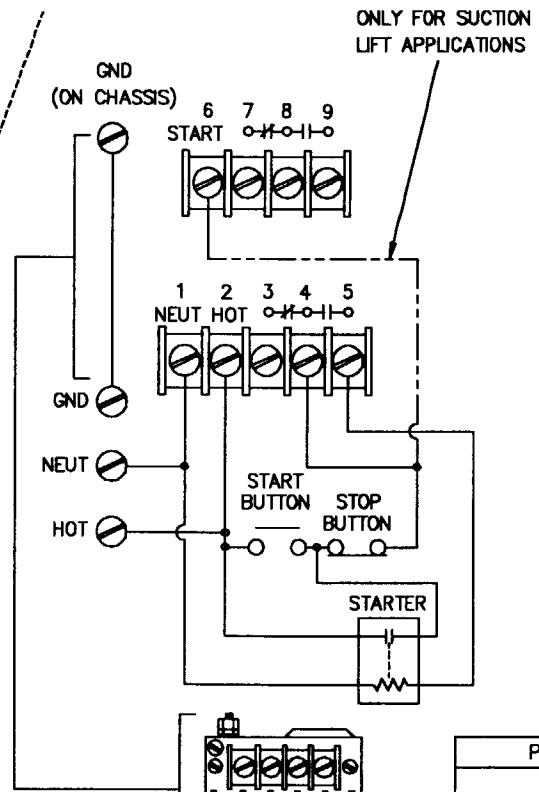
CABLE CONNECTIONS TO ELECTRONIC UNIT FACTORY WIRE



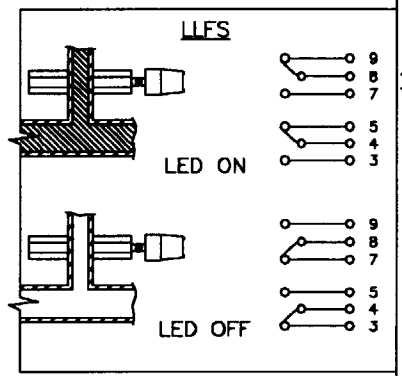
TRANSMITTER HOUSING CONDULET



POWER/RELAY WIRING



RELAY CHART



NOTE:
SENSOR MUST BE INSTALLED IN VERTICAL LINE. MATING FLANGES MUST BE FLAT-FACED.

POWER INPUT	
VOLTAGE	MODEL SERIES
120VAC FOR	406-7001
240VAC FOR	406-7301

CERTIFIED	by _____					COPYRIGHT 1993
PO # _____						DREXELBROOK ENG CO.
ENG _____						SCALE NONE
USER _____						UNLESS OTHERWISE STATED ALL DIMENSIONS IN INCHES (MM)
						DR. JL 2-10-93
DE # _____	1	10-92-165	LMK	3-5-93		CK. ASIC
	ISS.	EDO/DSR NO.	APP'D	DATE		

DREXELBROOK
Engineering Company

205 KEITH VALLEY RD
HORSHAM, PA 19044-9986

215-674-1234
FAX 215-674-2731

MOUNTING & WIRING DIAGRAM FOR 3-TERMINAL IN-LINE SYSTEMS 506-7004 SERIES