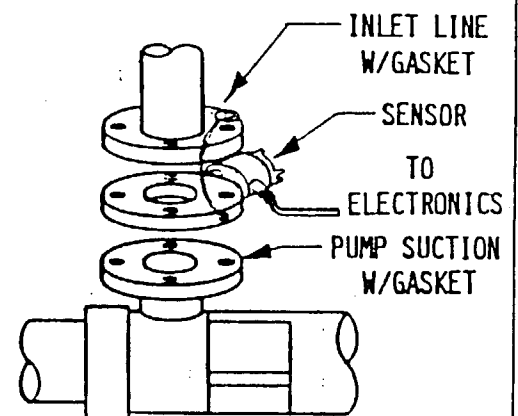


SYSTEM MODEL NO.	NOMINAL PIPE SIZE ¹	O.D. "A"	I.D. "B" ²	NUMBER OF HOLES	DIA. OF HOLES "C"	DIA. OF BOLT CIRCLE "D"	WIDTH "E"	WETTED PARTS
506-7020-010	1	4 1/2	1.10	4	5/8	3 1/8	1 1/2	PVC, EPOXY, 316SS
506-7020-015	1 1/2	5	1.66	4	5/8	3 7/8	1 5/8	PVC, EPOXY, 316SS
506-7020-020	2	6	2.14	4	3/4	4 3/4	1 11/16	PVC, EPOXY, 316SS
506-7020-025	2 1/2	7	2.55	4	3/4	5 1/2	1 13/16	PVC, EPOXY, 316SS
506-7020-030	3	7 1/2	3.15	4	3/4	6	2 1/8	CPVC, 316SS
506-7020-040	4	9	4.12	8	3/4	7 1/2	2 3/8	CPVC, 316SS
506-7020-060	6	11	6.20	8	7/8	9 1/2	2 15/16	CPVC, 316SS
506-7020-080	8	13 1/2	8.12	8	7/8	11 3/4	4 1/16	CPVC, 316SS
506-7020-100	10	16	10.20	12	1	14 1/4	4 1/4	PVC, 316SS

- ¹ SENSOR MATES WITH ANSI 150-LB FLAT FACE FLANGES IN NOMINAL PIPE SIZES AS NOTED.
- ² "B" DIMENSION IS SLIGHTLY LARGER THAN NOMINAL SCHEDULE 40 PIPE I.D.

NOTE: MATING FLANGES MUST BE FLAT FACED.



TYPICAL INSTALLATION

NOTE: SENSOR MUST BE INSTALLED IN VERTICAL LINE.

DREXELBROOK ENGINEERING CO. • HORSHAM, PA. 19044 •

COPYRIGHT 1986 DREXELBROOK ENG. CO.

CERTIFIED _____ by _____
 _____ PO# _____
 _____ ENG _____
 _____ USER _____



MOUNTING & WIRING DIAGRAM
 FOR IN-LINE FLUID DETECTOR
 506-7020-XXX SERIES W/CLOSE
 COUPLED X-PROOF LIGHTS

SCALE NONE
 UNLESS OTHERWISE
 STATED ALL DIMENSIONS
 IN INCHES (MM)

NO 506-7020-1-CD SHT 1 OF 4

DR. CDW
7-15-86
 CHK. T.F.
 APP'D 7/15/86
 ISSUE 2

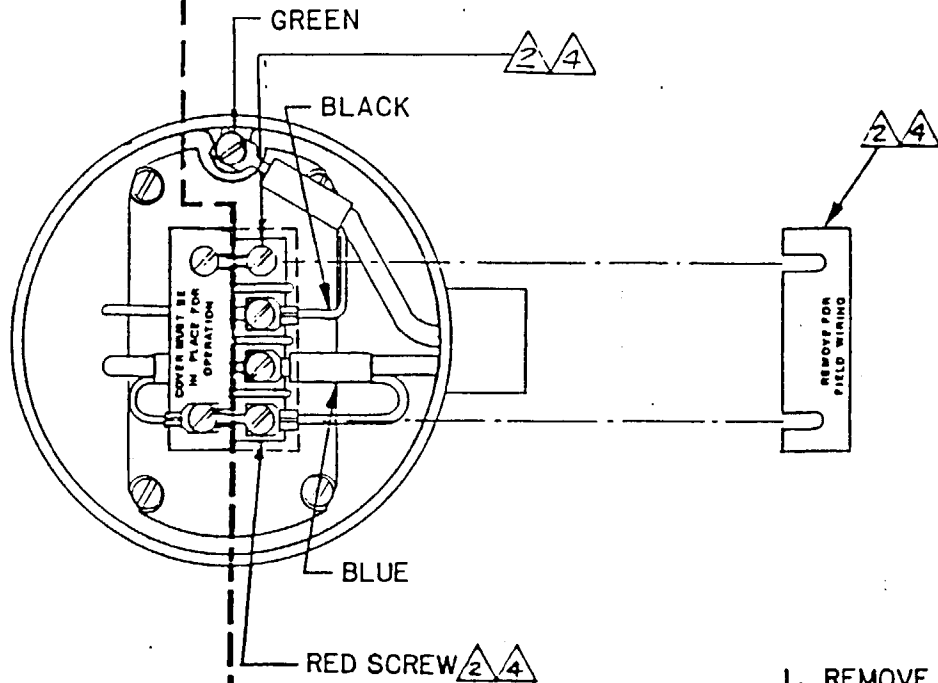
2	12-86-84	3-87
1	4-86-82	9-86
ISSUE	EDO	DATE

DE# _____

NO 506-7020-1-CD

ALWAYS PRE-WIRED
BY FACTORY

CUSTOMER CONNECTIONS
(TYPICALLY PRE-WIRED BY FACTORY)



1. REMOVE CONDULET COVER.
2. LOOSEN SCREWS AND REMOVE THE COVER LABELLED " REMOVE FOR FIELD WIRING."
3. WIRE THE GREEN, BLACK, AND BLUE MEASURING CABLE LEADS TO THE CORRESPONDING COLOR-CODED SCREWS AS SHOWN ABOVE.
4. SLIP THE COVER BACK UNDER THE SCREWS, SLIP THE RED LUG UNDER THE RED SCREW AND TIGHTEN BOTH SCREWS.
5. REPLACE CONDULET COVER.

DREXELBROOK ENGINEERING CO. • HORSHAM, PA. 19044 •

COPYRIGHT 1986
DREXELBROOK ENG. CO.

CERTIFIED _____ by _____
 _____ PO# _____
 _____ ENG _____
 _____ USER _____

 _____ DE# _____



MOUNTING & WIRING DIAGRAM
FOR IN-LINE FLUID DETECTOR
506-7020-XXX SERIES W/CLOSE
COUPLED X-PROOF LIGHTS

SCALE NONE
UNLESS OTHERWISE
STATED ALL DIMENSIONS
IN INCHES (MM)

TOLERANCES UNLESS
OTHERWISE STATED
DECIMAL ±0.05 (13)
FRACTION ±1/64 (4)
ANGLE ±2°

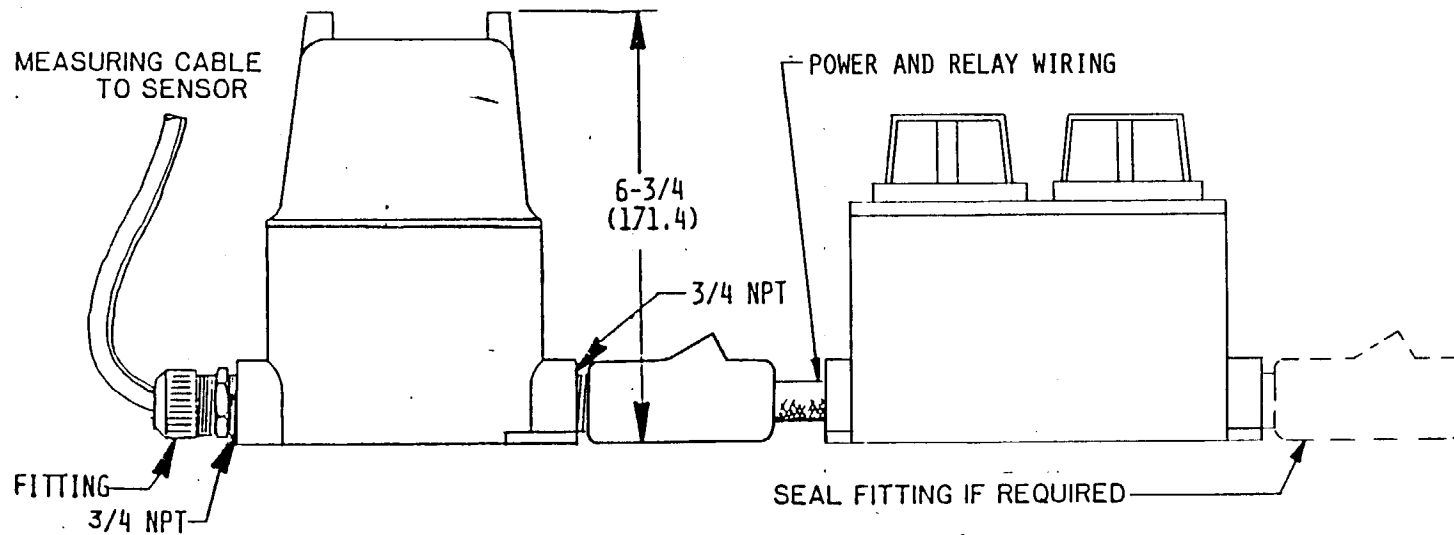
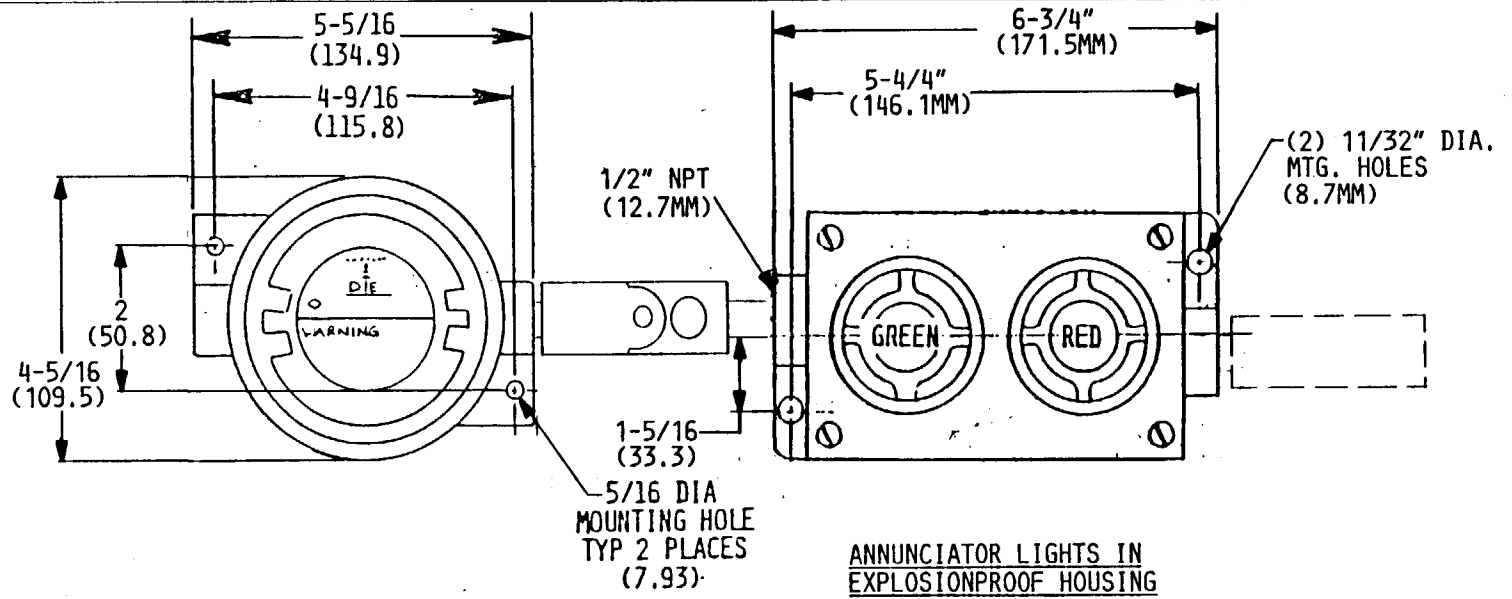
DR CDW
7-15-86
CHK T.F.
APP'D 2/29/86

NO 506-7020-1-CD SHT 2 OF 4

ISSUE 2

2	12-86-84	3-87
1	4-86-82	9-86
ISSUE	EDD	DATE

NO 506-7020-1-CD



DREXELBROOK ENGINEERING CO. • HORSHAM, PA. 19044

COPYRIGHT 1986
DREXELBROOK ENG. CO.

CERTIFIED by _____
PO# _____
ENG _____
USER _____



MOUNTING & WIRING DIAGRAM
FOR IN-LINE FLUID DETECTOR
506-7020-XXX SERIES W/CLOSE
COUPLED X-PROOF LIGHTS

SCALE NONE
UNLESS OTHERWISE
STATED ALL DIMENSIONS
IN INCHES (MM)

TOLERANCES, UNLESS
OTHERWISE STATED
DECIMAL ±005 (.13)
FRACTION ±1/64 (.4)
ANGLE ±2°

DR. CDW
7-15-86
CHK. T.F.
APP'D 7/16/86

NO 506-7020-1-CD SHT 3 OF 4

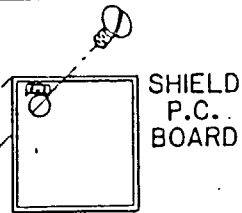
ISSUE 2

2	12-86-84	3-87
1	4-86-82	9-86
ISSUE	EDO	DATE

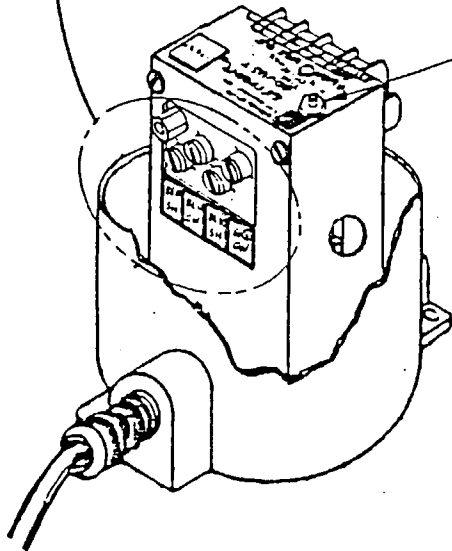
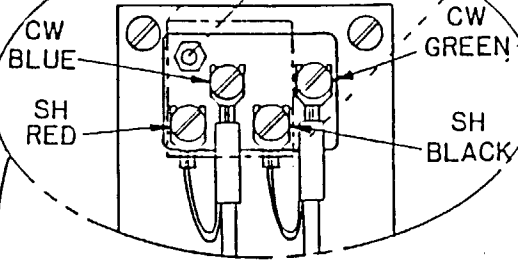
DE# _____

NO. 506-7020-1-CD

MEASURING CABLE WIRING
(NOTE: MEASURING CABLE
TYPICALLY WIRED BY FACTORY
TO BOTH SENSOR AND
ELECTRONICS)



SHIELD
P.C.
BOARD



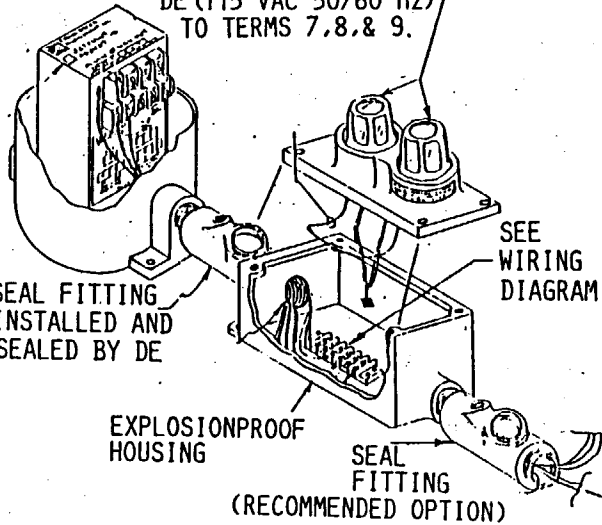
TIME DELAY
ADJUSTMENT

POWER AND RELAY WIRING

REMOVE ANNUNCIATOR
COVER TO WIRE POWER,
RELAY AND START
CIRCUIT

RELAY TERMINALS
7, 8, & 9 ARE USED BY
THE FACTORY TO WIRE
ANNUNCIATOR LIGHTS

LIGHTS PREWIRED BY
DE (115 VAC 50/60 Hz)
TO TERMS 7, 8, & 9.



SEAL FITTING
INSTALLED AND
SEALED BY DE

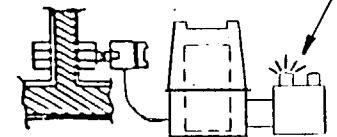
SEE
WIRING
DIAGRAM

EXPLOSIONPROOF
HOUSING

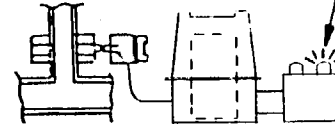
SEAL
FITTING
(RECOMMENDED OPTION)

START CIRCUIT
RELAY CONNECTIONS AND
POWER IN: 115 VAC
50/60 Hz

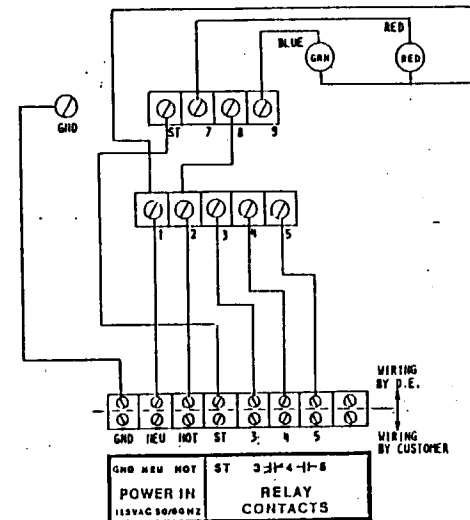
MATERIAL PRESENT
GREEN LIGHT ON



MATERIAL ABSENT
RED LIGHT ON



WIRING DIAGRAM



DREXELBROOK ENGINEERING CO.

HORSHAM, PA. 19044

COPYRIGHT 1986
DREXELBROOK ENG. CO.

CERTIFIED _____ by _____
PO# _____
ENG _____
USER _____
DE# _____



MOUNTING & WIRING DIAGRAM
FOR IN-LINE FLUID DETECTOR
506-7020-XXX SERIES W/CLOSE
COUPLED X-PROOF LIGHTS

SCALE	NONE	TOLERANCES UNLESS OTHERWISE STATED	DR	CDW
UNLESS OTHERWISE STATED ALL DIMENSIONS IN INCHES (MM)		DECIMAL ±0.05 (13)	CHK.	T.F.
		FRACTION ±1/64 (4)	APP'D	2/28/86
		ANGLE ±2°		
NO	SHT 4			
506-7020-1-CD	OF 4		ISSUE 2	

	2	12-86-84	3-87
	1	4-86-82	4-86
ISSUE		EDO	DATE

No. 506-7020-1-CD