

NOTE: MATING FLANGES MUST BE FLAT FACED.

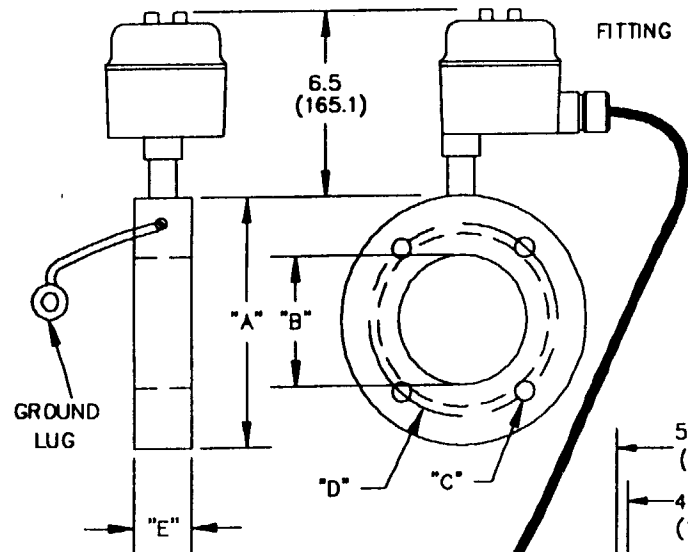


FIGURE A
506-7030-1
STANDARD EXPLOSION PROOF
ELECTRONIC UNIT HOUSING

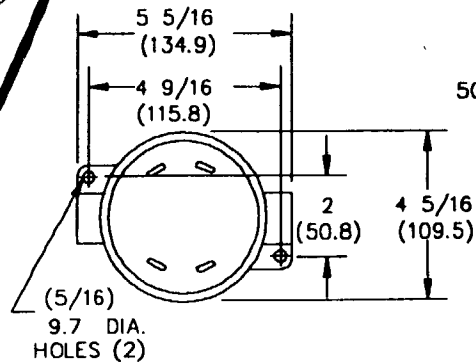
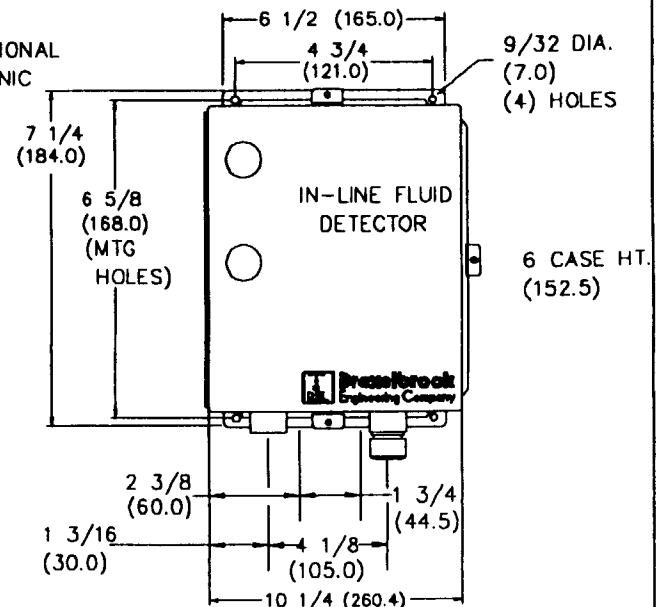


FIGURE B
506-7001-020 OPTIONAL
NEMA 4 ELECTRONIC
UNIT HOUSING

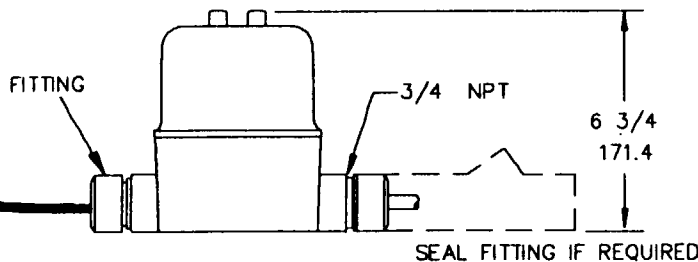


SYSTEM MODEL NO.	NOMINAL PIPE SIZE Δ	O.D. "A"	I.D. "B" Δ	NUMBER OF HOLES	DIA. OF HOLES "C"	DIA. OF BOLT CIRCLE "D"	WIDTH "E"	WETTED PARTS
506-7030-010	1	4 1/4	1.10	4	5/8	3 1/8	1 1/2	CPVC, 316 SST.
506-7030-015	1 1/2	5	1.66	4	5/8	3 7/8	1 5/8	CPVC, 316 SST.
506-7030-020	2	6	2.14	4	3/4	4 3/4	1 11/16	TEFLON [®] , 316 SST.
506-7030-025	2 1/2	7	2.55	4	3/4	5 1/2	1 13/16	CPVC, 316 SST.
506-7030-030	3	7 1/2	3.15	4	3/4	6	2 1/8	CPVC, 316 SST.
506-7030-040	4	9	4.12	8	3/4	7 1/2	2 3/8	CPVC, 316 SST.
506-7030-060	6	11	6.20	8	7/8	9 1/2	2 15/16	CPVC, 316 SST.
506-7030-080	8	13 1/2	8.12	8	7/8	11 3/4	4 1/16	CPVC, 316 SST.
506-7030-100	10	16	10.20	12	1	14 1/4	4 1/4	CPVC, 316 SST.

Δ SENSOR MATES WITH ANSI 150-LB FLAT FACE FLANGES IN NOMINAL PIPE SIZE AS NOTED.

Δ "B" DIMENSION IS SLIGHTLY LARGER THAN NOMINAL SCHEDULE 40 PIPE I.D.

* $\text{\textcircled{R}}$ REGISTERED TRADENAME OF E.I. DUPONT CO.



CERTIFIED	by				
PO #					
ENG					
USER					
		6	5-90-250	MHB	10/91
		5	12-86-84	-	3-87
		4	1-86-83	-	2-86
DE #	ISS.	EDO/DSR NO.	APP'D	DATE	

COPYRIGHT 1991
DREXELBROOK ENG CO.
SCALE NONE
UNLESS OTHERWISE STATED
ALL DIMENSIONS IN INCHES (MM)
DR. RDC.
CK. ASK



205 KEITH VALLEY RD
HORSHAM, PA 19044-9986
215-674-1234
FAX 215-674-2731

MOUNTING DIMENSIONS
FOR 506-7030-XXX
IN - LINE FLUID DETECTOR

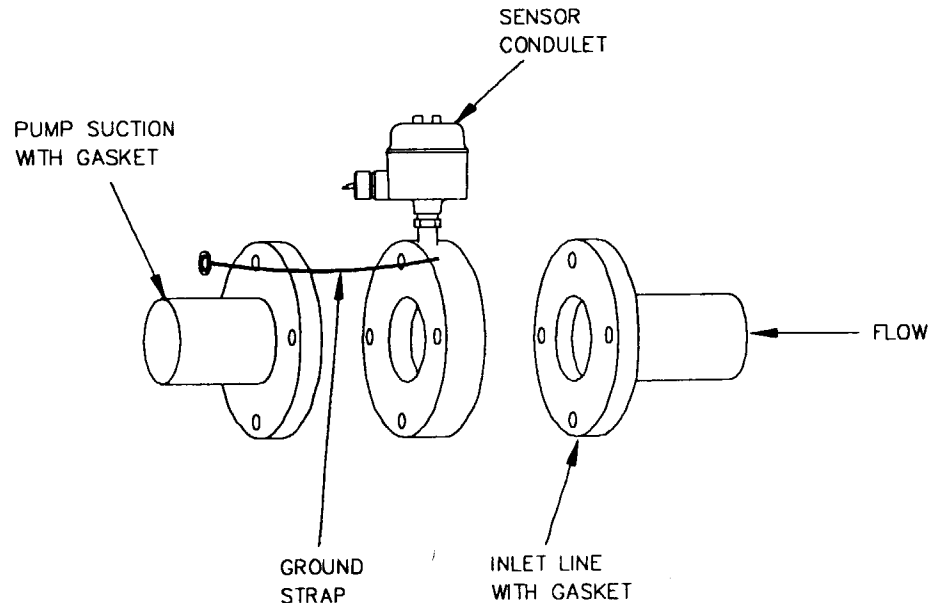
506-7030-1-CD
SH. 1 OF 4
ISS 6

440-115-184 (2)
NO. 506-7030-1-CD
SHT 1 OF 4

NOTE: MATING FLANGES MUST BE FLAT FACED

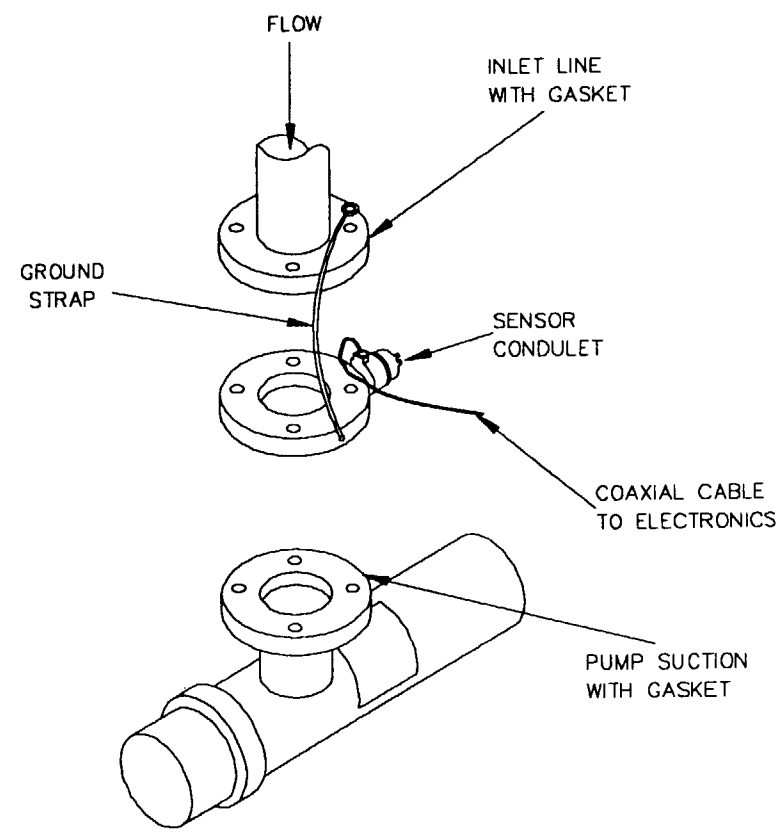
HORIZONTAL LINES

SENSOR MUST BE INSTALLED WITH CONDULET FACING UP AS SHOWN BELOW.



VERTICAL LINES

SENSOR CAN BE INSTALLED WITH CONDULET FACING IN ANY DIRECTION



CERTIFIED	by _____					COPYRIGHT 1991
PO #	_____					DREXELBROOK ENG CO.
ENG	_____					SCALE NONE
USER	_____					UNLESS OTHERWISE STATED ALL DIMENSIONS IN INCHES (MM)
DE #	_____	6	5-90-250	MHB	10/11/91	DR. RDC.
		ISS.	EDO/DSR NO.	APP'D	DATE	CK. ASK

DREXELBROOK
Engineering Company

205 KEITH VALLEY RD
HORSHAM, PA 19044-9986

215-674-1234
FAX 215-674-2731

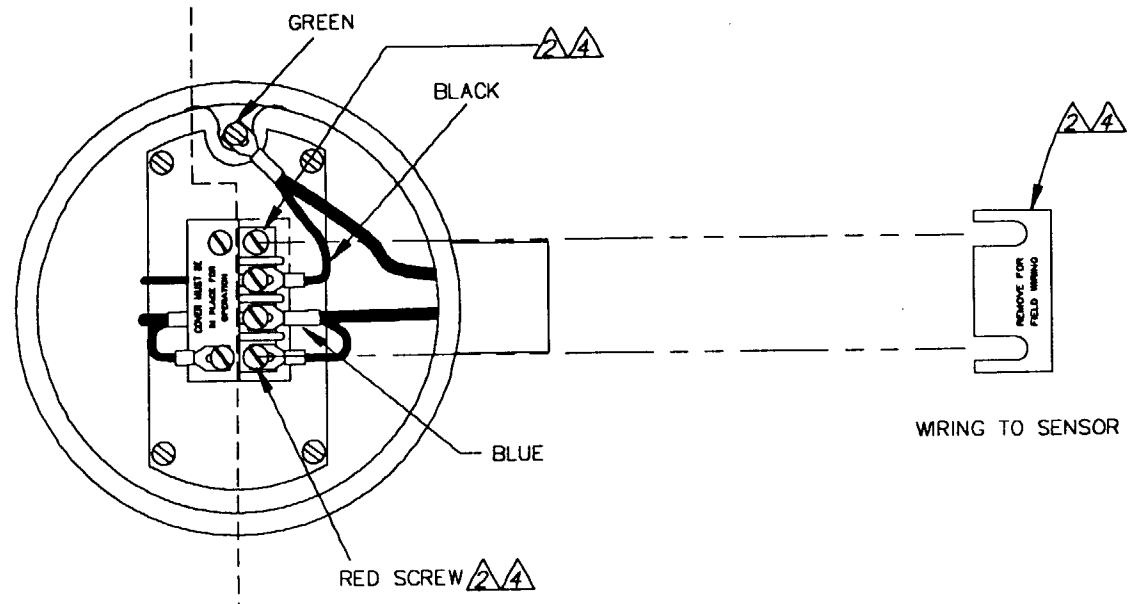
MOUNTING DIAGRAM FOR
IN-LINE FLUID DETECTOR
506-7030-1 SERIES

506-7030-1-CD

SHIT. 2 OF 4
ISS. 6

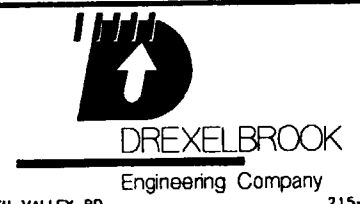
ALWAYS-WIRED
BY FACTORY

CUSTOMER CONNECTIONS
(TYPICALLY PRE-WIRED BY FACTORY)



1. REMOVE CONDULET COVER.
- ④ LOOSEN SCREWS AND REMOVE THE COVER LABELLED "REMOVE FOR FIELD WIRING".
3. WIRE THE GREEN, BLACK, AND BLUE MEASURING CABLE LEADS TO THE CORRESPONDING COLOR-CODED SCREWS AS SHOWN ABOVE
- ④ SLIP THE COVER BACK UNDER THE SCREWS, SLIP THE RED LUG UNDER THE RED SCREW AND TIGHTEN BOTH SCREWS.
5. REPLACE CONDULET COVER.

CERTIFIED	by _____				COPYRIGHT 1991
PO #	_____				DREXELBROOK ENG CO.
ENG	_____	6	5-90-250	MHB 10/91	SCALE NONE
USER	_____	5	12-86-84	- 3-87	UNLESS OTHERWISE STATED ALL DIMENSIONS IN INCHES (DIM)
	_____	4	1-86-83	- 2-86	DR. RDC.
DE #	_____	ISS.	EDO/DSR NO.	APP'D	DATE
				CK. ASK	

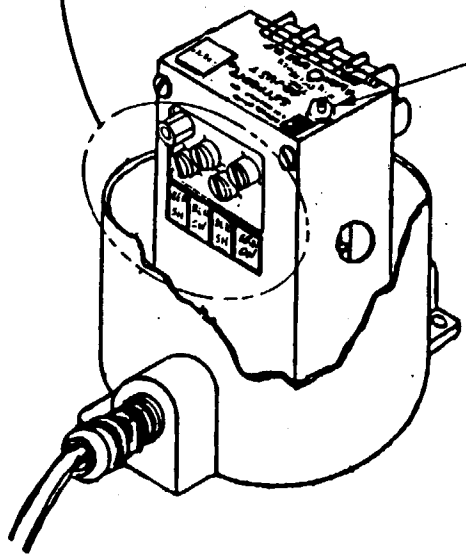
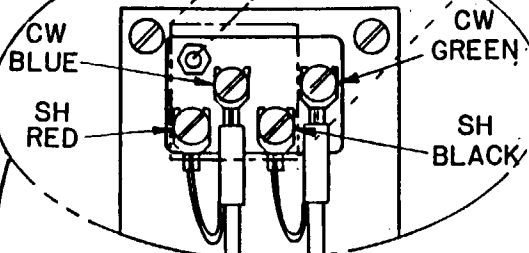
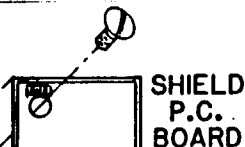


205 KEITH VALLEY RD
HORSHAM, PA 19044-9986
215-674-1234
FAX 215-674-2731

SENSING ELEMENT
WIRING DIAGRAM FOR
IN-LINE FLUID DETECTOR
506-7030-XXX

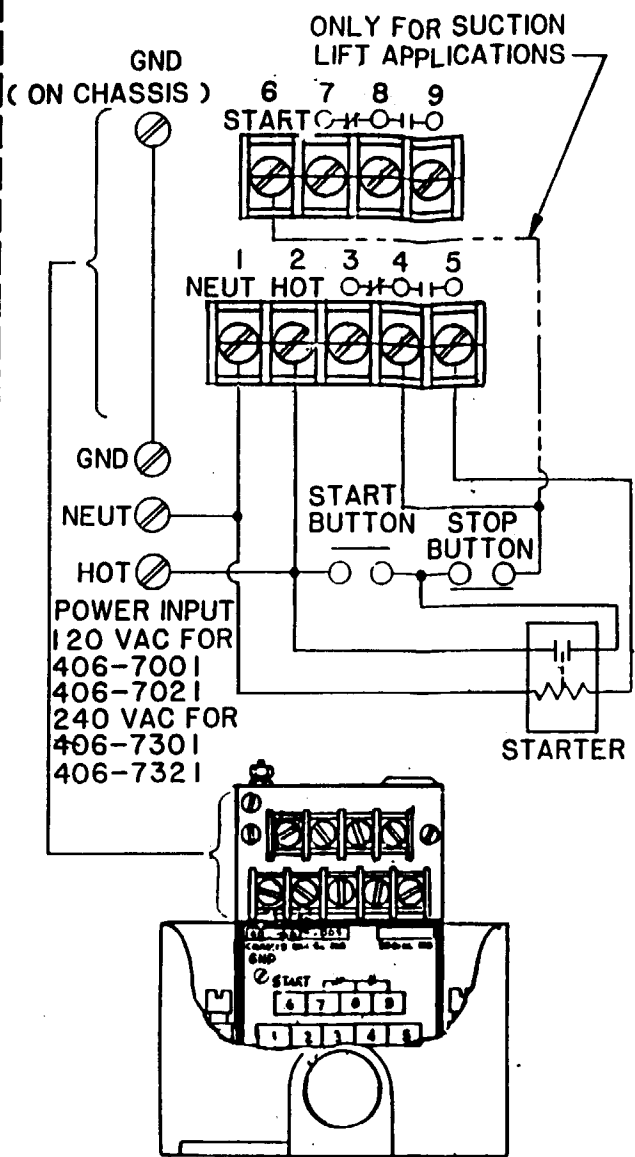
506-7030-1-CD
SHT. 3 OF 4
ISS. 6

MEASURING CABLE WIRING
(NOTE: MEASURING CABLE
TYPICALLY WIRED BY FACTORY
TO BOTH SENSOR AND
ELECTRONICS)

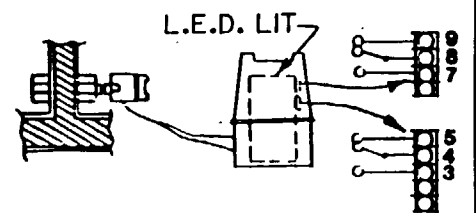


TIME DELAY
ADJUSTMENT

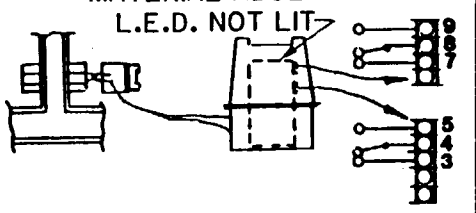
POWER AND RELAY WIRING



MATERIAL PRESENT



MATERIAL ABSENT



NOTE:
SENSOR MUST BE INSTALLED IN
VERTICAL LINE. MATING FLANGES
MUST BE FLAT-FACED.

CERTIFIED	by				COPYRIGHT 1991
PO #					DREXELBROOK ENG CO.
ENG		6	5-90-250	AMB 10/91	SCALE NONE
USER		5	12-86-84	— 3-87	UNLESS OTHERWISE STATED ALL DIMENSIONS IN INCHES (MM)
		4	1-86-83	— 2-86	DR. RDC.
DE #	ISS.	EDO/DSR NO.	APP'D	DATE	CK. ASK

DREXELBROOK
Engineering Company

205 KEITH VALLEY RD
HORSHAM, PA 19044-9986

215-674-1234
FAX 215-674-2731

ELECTRONIC UNIT WIRING
DIAGRAM FOR IN-LINE FLUID
DETECTOR 506-7030-XXX
(STANDARD HOUSING)

506-7030-1-CD

SHT. 4 OF 4
ISS. OF 4 6

440-115-184 (2)
NO. 506-7030-1-CD
SHT. 4 OF 4