

SENSOR
FIGURE A
 506-7031-XXX SERIES
 STANDARD EXPLOSIONPROOF
 ELECTRONIC UNIT HOUSING

(1) SYSTEM MODEL NO.	(2) PIPE SIZE ⓐ	(3) O.D. "A"	(4) I.D. "B" ⓑ	(5) NUMBER OF HOLES	(6) DIA OF HOLES "C"	(7) DIA OF BOLT CIRCLE "D"	(8) WIDTH "E"	(9) WETTED PARTS ⓓ	(10) SENSOR MOUNTING ⓔ
506-7031-020	2	6	2 1/4	4	3/4	4-3/4	1-11/16	Teflon®/316 LSS	Vert. only
506-7031-030	3	7 1/2	3 1/5	4	3/4	6	2-1/8	Teflon®/316 LSS	Vert. only
506-7031-040	4	9	4 1/2	8	3/4	7-1/2	2-3/8	Teflon®/316 LSS	Vert. only
506-7031-060	6	11	6 2/10	8	7/8	9-1/2	1-15/16	Teflon®/316 LSS	Vert. only

- ⓐ Sensor mates with ANSI 150-lb flat-face flanges in nominal pipe sizes as noted
- ⓑ "B" dimension is slightly larger than schedule 40 nominal pipe I.D.
- ⓓ For other metal wetted parts, such as Hastelloy C, Alloy 20, etc., consult factory
- ⓔ Vert. only: sensor must be mounted in a vertical run of pipe or sloping pipe run so that material will drain

CERTIFIED _____ by _____

PO # _____

ENG _____

SER _____


DE # _____

2	4-92-82	NG/A	7/31/92
1	4-91-262	AK	6-24-91
ISS	FOO/DSR NO	APP'D	DATE

COPYRIGHT 1991
 DREXELBROOK ENG. CO.

SCALE NONE
 UNLESS OTHERWISE STATED
 ALL DIMENSIONS IN (INCHES (MM))

DR CDW
 CK ASK



Drexelbrook
 Engineering Company

205 KEITH VALLEY RD
 HORSHAM, PA 19044-9986

12151674 1224

MOUNTING & WIRING DIAGRAM
 FOR CLEAR LINE™ SYSTEMS
 506-7031 SERIES

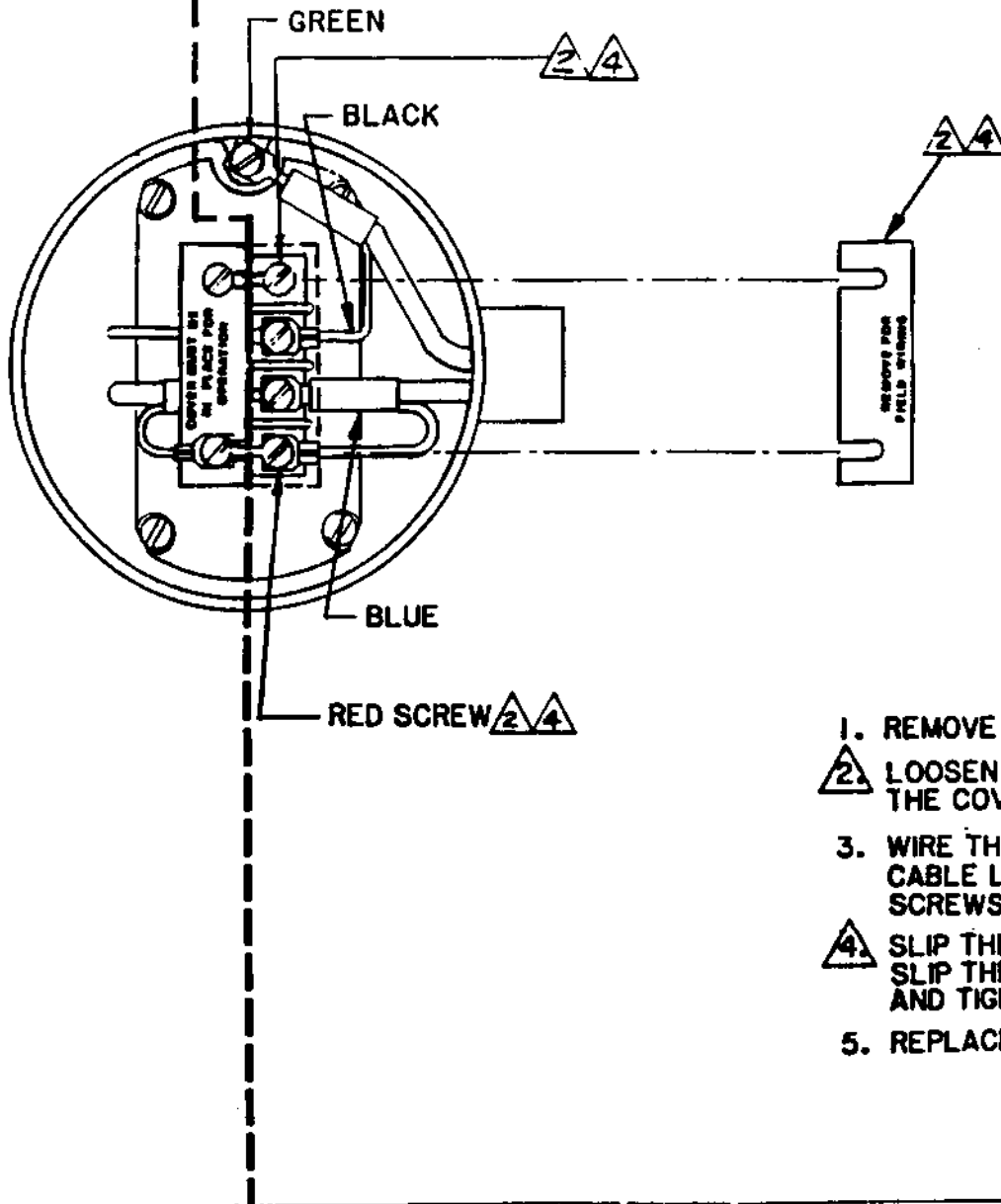
506-7031-1-CD

SHT 1 OF 2

NO. 506-7031-1-CD

ALWAYS PRE-WIRED
BY FACTORY

CUSTOMER CONNECTIONS
(TYPICALLY PRE-WIRED BY FACTORY)



1. REMOVE CONDULET COVER.
2. LOOSEN SCREWS AND REMOVE THE COVER LABELLED " REMOVE FOR FIELD WIRING."
3. WIRE THE GREEN, BLACK, AND BLUE MEASURING CABLE LEADS TO THE CORRESPONDING COLOR-CODED SCREWS AS SHOWN ABOVE.
4. SLIP THE COVER BACK UNDER THE SCREWS, SLIP THE RED LUG UNDER THE RED SCREW AND TIGHTEN BOTH SCREWS.
5. REPLACE CONDULET COVER.

DREXELBROOK ENGINEERING CO. • HORSHAM, PA. 19044 •

COPYRIGHT 1991
DREXELBROOK ENG. CO.

CERTIFIED by _____
PO# _____
ENG _____
USER _____

MOUNTING & WIRING DIAGRAM
FOR CLEAR LINE™ SYSTEMS
506-7031 SERIES

SCALE NONE
UNLESS OTHERWISE
STATED ALL DIMENSIONS
IN INCHES (MM)

TOLERANCES UNLESS
OTHERWISE STATED
DECIMAL ±0.06 (13)
FRACTION ±1/64 (4)
ANGLE ±2°

DR CDW
4-17-91
CHK APP'D [Signature]
2

NO 506-7031-1-CD

SHT 2
OF 3

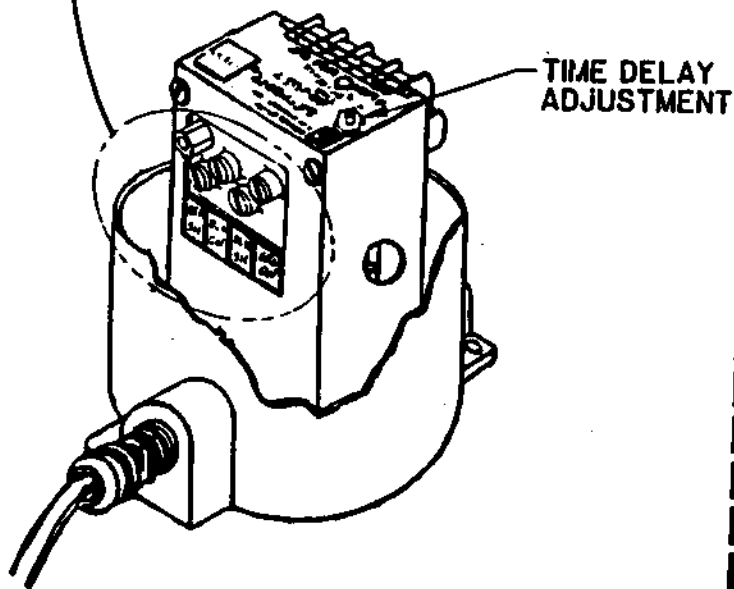
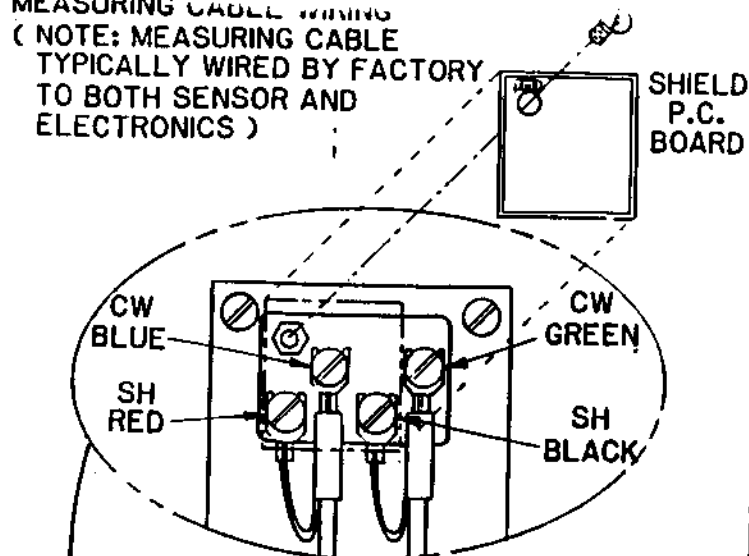
FIG 2

2	4-92-82	7/92
1	4-91-262	6/91
ISSUE	EDO	DATE

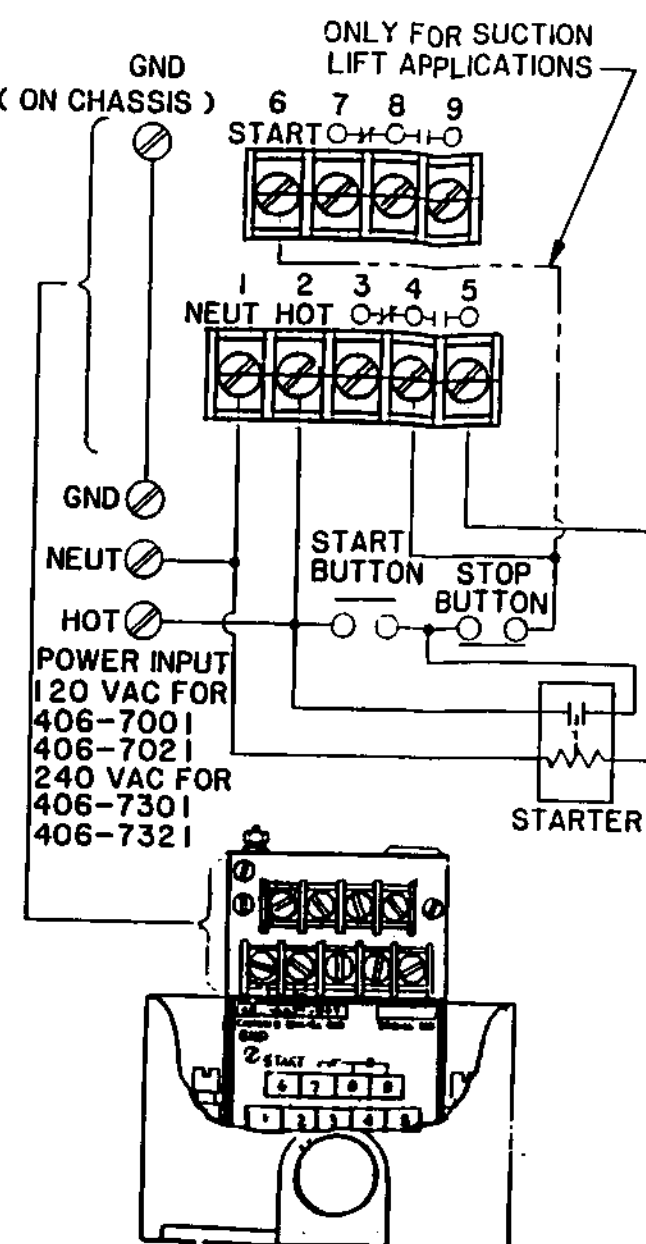
DE# _____

NO 506-7031-1-CU

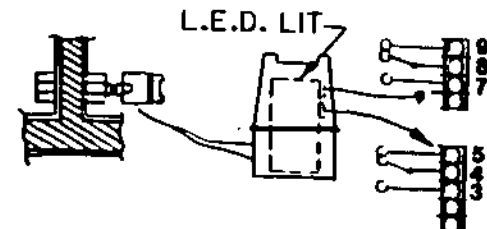
MEASURING CABLE WIRING
 (NOTE: MEASURING CABLE
 TYPICALLY WIRED BY FACTORY
 TO BOTH SENSOR AND
 ELECTRONICS)



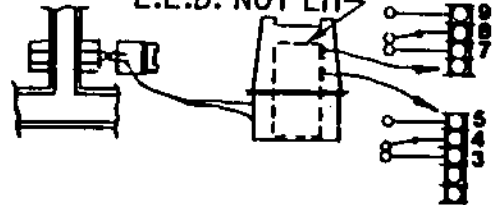
POWER AND RELAY WIRING



MATERIAL PRESENT



MATERIAL ABSENT



NOTE:
 SENSOR MUST BE INSTALLED IN
 VERTICAL LINE. MATING FLANGES
 MUST BE FLAT-FACED.

DREXELBROOK ENGINEERING CO.

HORSHAM, PA. 19044

COPYRIGHT 1991
 DREXELBROOK ENG. CO.

MOUNTING & WIRING DIAGRAM
 FOR CLEAR LINE™ SYSTEMS
 506-7031 SERIES

SCALE NONE
 UNLESS OTHERWISE
 STATED ALL DIMENSIONS
 IN INCHES (MM)

TOLERANCES UNLESS
 OTHERWISE STATED
 DECIMAL ±0.05 (1:3)
 FRACTION ±1/64 (1:4)
 ANGLE ±2°

DR CDW
 4-17-91
 CHK ASK
 APPD [Signature]

NO 506-7031-1-CD

SHT 3

2	4-92-82	7/92
1	4-91-262	10/91

CERTIFIED by _____
 PO# _____
 ENG _____
 USER _____

NO. 506-7031-1-CD