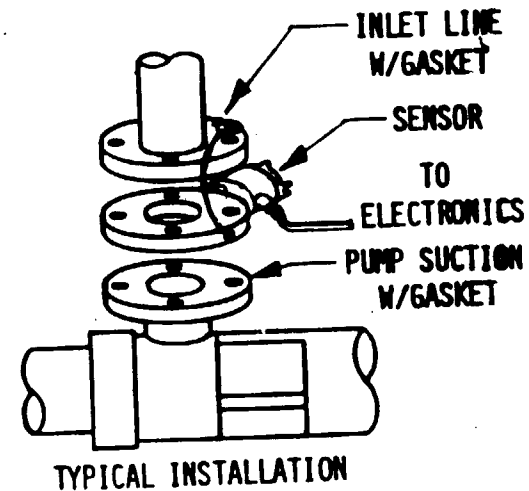


SYSTEM MODEL NO.	NOMINAL PIPE SIZE	O.D. "A"	I.D. "B"	NUMBER OF HOLES	DIA. OF HOLES "C"	DIA. OF BOLT CIRCLE "D"	WIDTH "E"	WETTED PARTS
506-7132-030	3	7 1/4	3.15	4	3/4	6	2 1/8	CPVC, SS
506-7132-040	4	9	4.12	8	3/4	7 1/2	2 3/8	CPVC, SS
506-7132-060	6	11	6.20	8	7/8	9 1/2	2 15/16	CPVC, SS
506-7132-080	8	13 1/4	8.12	8	7/8	11 3/4	4 1/16	CPVC, SS
506-7132-100	10	16	10.20	12	1	14 1/4	4 1/4	CPVC, SS

1 SENSOR MATES WITH ANSI 150-LB FLAT FACE FLANGES IN NOMINAL PIPE SIZES AS NOTED.

2 "B" DIMENSION IS SLIGHTLY LARGER THAN NOMINAL SCHEDULE 40 PIPE I.D.

NOTE: MATING FLANGES MUST BE FLAT FACED.

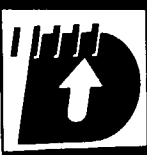


DREXELBROOK ENGINEERING CO.

HORSHAM, PA. 19044

COPYRIGHT 1983
DREXELBROOK ENG. CO.

CERTIFIED by _____
PO# _____
ENG _____
USER _____



MOUNTING & WIRING DIAGRAM
FOR IN-LINE FLUID DETECTOR
506-7132-XXX
(STANDARD HOUSING)

SCALE NONE
UNLESS OTHERWISE
STATED ALL DIMENSIONS
IN INCHES (MM)

NO 506-7132-1-CD

SHT 1
OF 4

DR. RDC
CHK. APP'D ASK
1/10/81 7/91
ISSUE A

A 6-91-81
ISSUE EDO

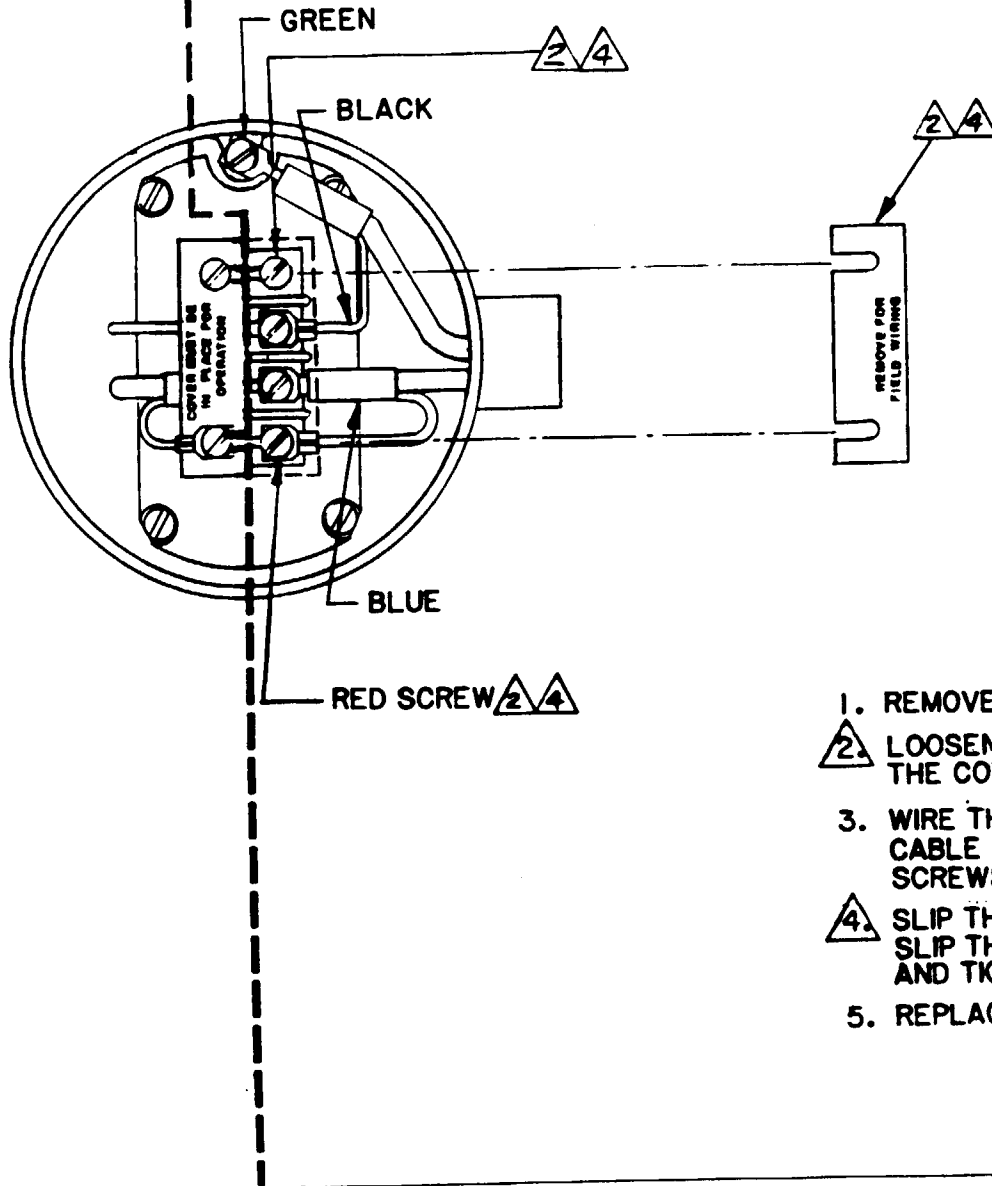
7-91
DATE

DE# _____

NO 506-7132-1-CD

ALWAYS PRE-WIRED
BY FACTORY

CUSTOMER CONNECTIONS
(TYPICALLY PRE-WIRED BY FACTORY)



1. REMOVE CONDULET COVER.
2. LOOSEN SCREWS AND REMOVE THE COVER LABELLED " REMOVE FOR FIELD WIRING."
3. WIRE THE GREEN, BLACK, AND BLUE MEASURING CABLE LEADS TO THE CORRESPONDING COLOR-CODED SCREWS AS SHOWN ABOVE.
4. SLIP THE COVER BACK UNDER THE SCREWS, SLIP THE RED LUG UNDER THE RED SCREW AND TIGHTEN BOTH SCREWS.
5. REPLACE CONDULET COVER.

DREXELBROOK ENGINEERING CO. ●

HORSHAM, PA. 19044 ●

COPYRIGHT 1983
DREXELBROOK ENG. CO.

CERTIFIED _____ by _____

PO# _____
ENG _____
USER _____



MOUNTING & WIRING DIAGRAM
FOR IN-LINE FLUID DETECTOR
506-7132-XXX
(STANDARD HOUSING)

SCALE NONE
UNLESS OTHERWISE
STATED ALL DIMENSIONS
IN INCHES (MM)

TOLERANCES UNLESS
OTHERWISE STATED
DECIMAL ±005 (13)
FRACTION ±1/64 (4)
ANGLE ±2

DR RDC
CHK AFK
APP 6/24/81
ISSUE A

NO 506-7132-1-CD

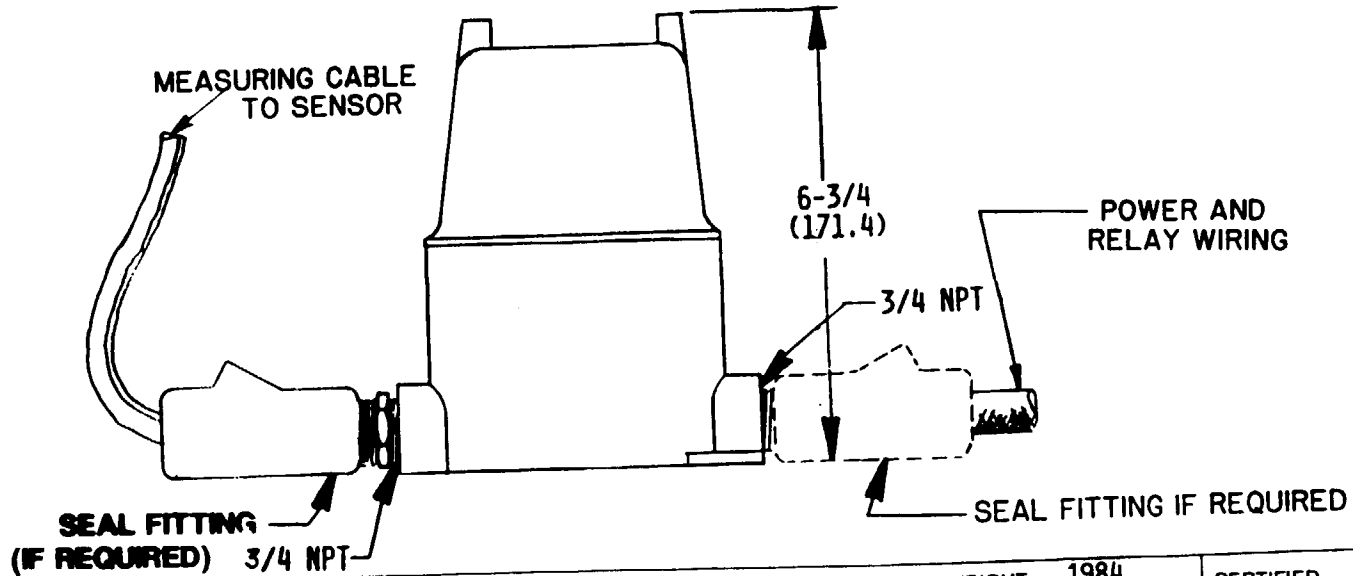
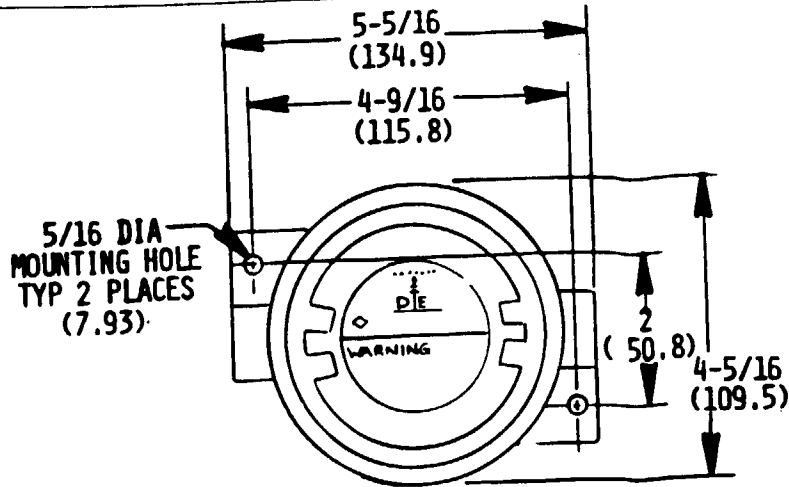
SHT 2
OF 4

A 6-91-81 7-91

DATE

DE# _____

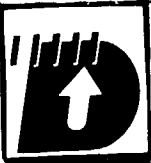
NO 506-7132-1-CD



DREXELBROOK ENGINEERING CO. • HORSHAM, PA. 19044 •

COPYRIGHT 1984
DREXELBROOK ENG. CO.

CERTIFIED by _____
PO# _____
ENG _____
USER _____
DE# _____



MOUNTING & WIRING DIAGRAM
FOR IN-LINE FLUID DETECTOR
506-7132-XXX
(STANDARD HOUSING)

SCALE NONE
UNLESS OTHERWISE STATED
STATED ALL DIMENSIONS
IN INCHES (MM)

TOLERANCES UNLESS OTHERWISE STATED
DECIMAL ±005 (13)
FRACTION ±1/64 (4)
ANGLE ±2°

DR RDC
CHK ASK
APP'D 10/17/91
ISSUE A

NO 506-7132-1-CD

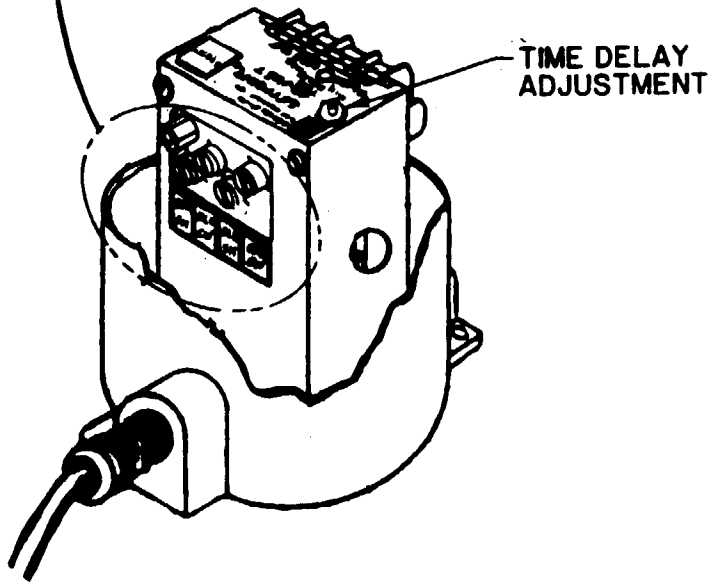
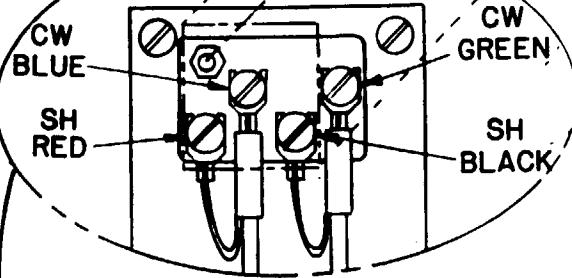
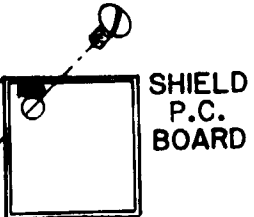
SHT 3
OF 4

A 6 91-81
ISSUE EDO

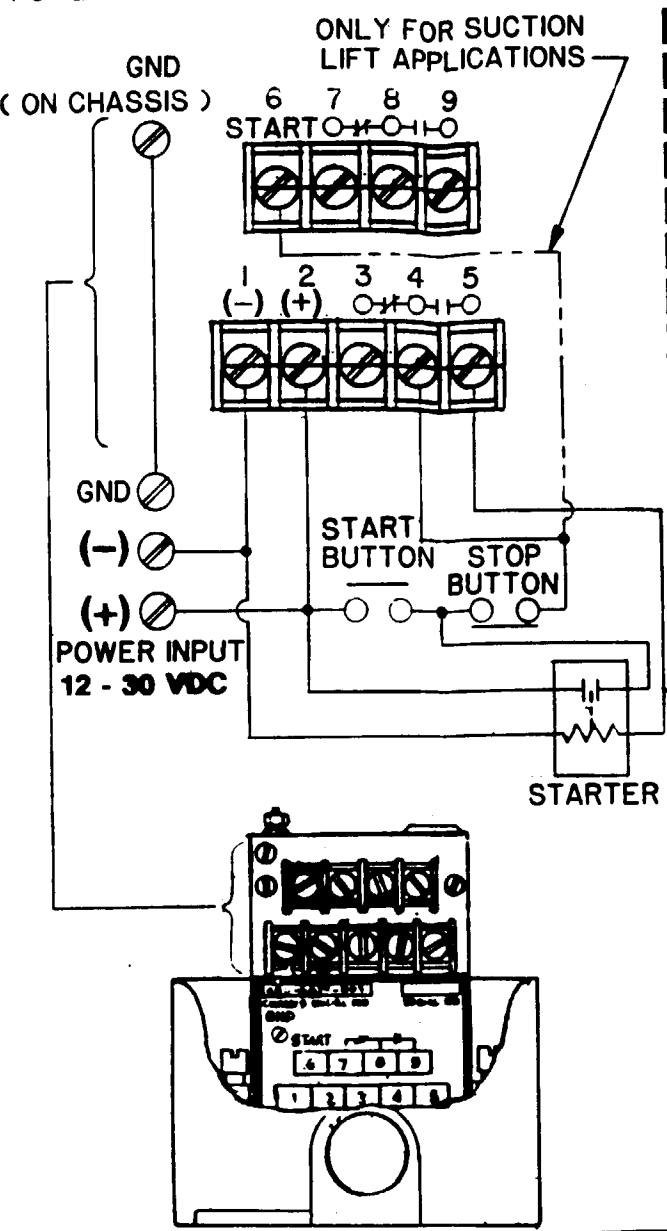
7-91
DATE

NO. 506-7132-1-CD

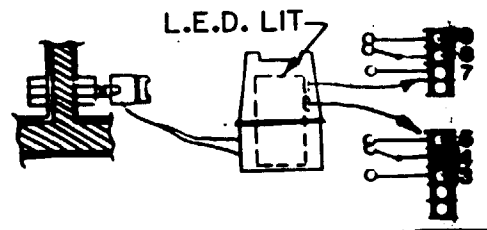
MEASURING CABLE WIRING
 (NOTE: MEASURING CABLE
 TYPICALLY WIRED BY FACTORY
 TO BOTH SENSOR AND
 ELECTRONICS)



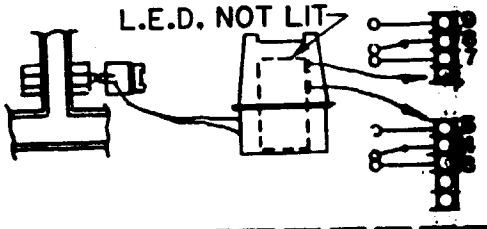
POWER AND RELAY WIRING



MATERIAL PRESENT



MATERIAL ABSENT



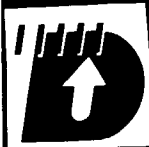
NOTE:
 SENSOR MUST BE INSTALLED IN
 VERTICAL LINE. MATING FLANGES
 MUST BE FLAT-FACED.

DREXELBROOK ENGINEERING CO.

HORSHAM, PA. 19044

COPYRIGHT 1984
 DREXELBROOK ENG. CO.

CERTIFIED	by _____
PO#	_____
ENG	_____
USER	_____
DE#	_____



MOUNTING & WIRING DIAGRAM
FOR IN-LINE FLUID DETECTOR
 506-7132-XXX
 (STANDARD HOUSING)

SCALE NONE
 UNLESS OTHERWISE
 STATED ALL DIMENSIONS
 IN INCHES (MM)

TOLERANCES: UNLESS
 OTHERWISE STATED
 DECIMAL ±0.05 (13)
 FRACTION ±1/64 (4)
 ANGLE ±2°

DR RDC
 CHK AK
 APP'D 7/91
 ISSUE A

NO 506-7132-1-CD SHT 4 OF 4

ISSUE A 6-91-B1 DATE 7-91
 EDO

NO. 506-7132-1-CD