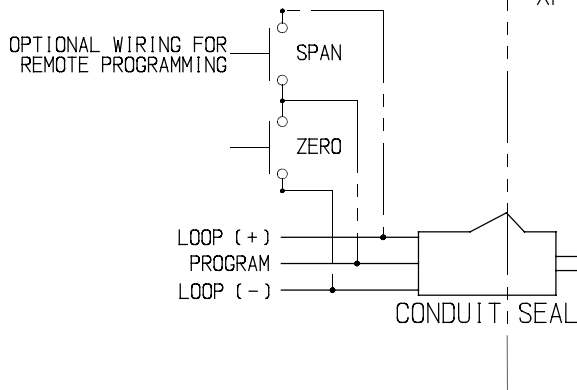
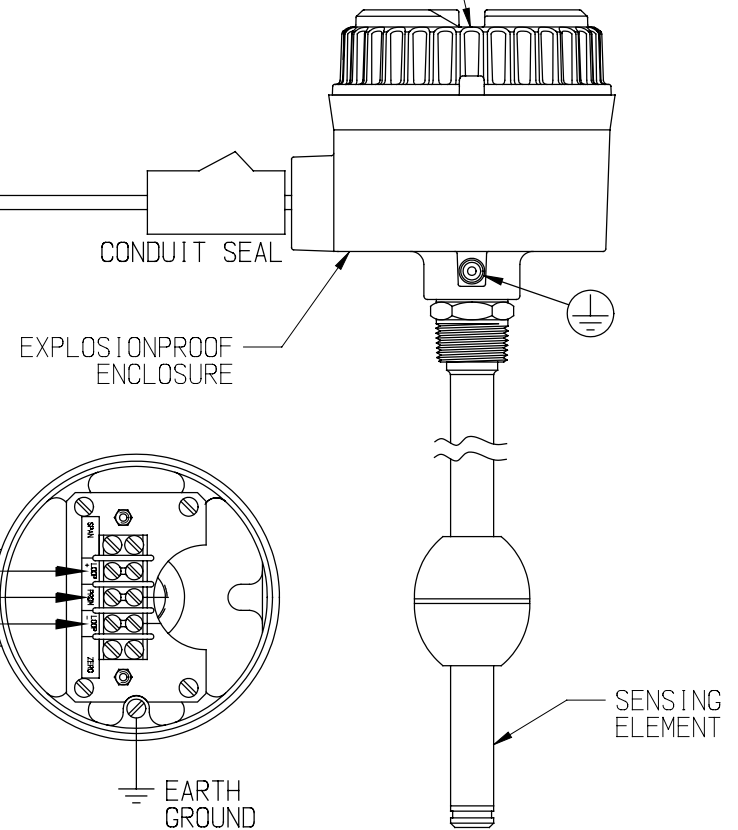


NON HAZARDOUS AREA

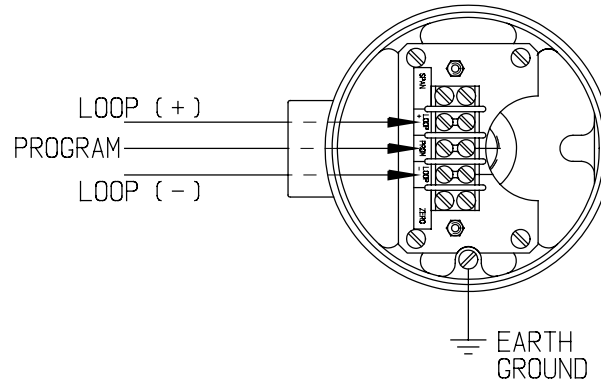
HAZARDOUS AREA
XP CL I, DIV I, GRP A,B,C,D



4 LOOSEN SET SCREW TO REMOVE COVER



****APPROVED DOCUMENT****
CHANGES TO THIS DOCUMENT
REQUIRE AGENCY APPROVAL



- NOTES:
1. MINIMUM VOLTAGE TO OPERATE THE DM330 PROBE IS 13.5V.
 2. INSTALLATIONS SHALL COMPLY WITH THE LATEST EDITION OF THE NATIONAL ELECTRICAL CODE (ANSI/NFPA 70) AND THE CANADIAN ELECTRICAL CODE (CEC).
 3. UNUSED OPENINGS MUST BE PROPERLY SEALED TO MAINTAIN ENCLOSURE ENVIRONMENTAL AND/OR HAZARDOUS LOCATION RATINGS.
 4. BEFORE REMOVING THE EXPLOSIONPROOF HOUSING COVER IN A POTENTIALLY HAZARDOUS AREA, MAKE CERTAIN THAT THE AREA IS SAFE. WHEN SERVICING/CALIBRATION IS COMPLETE, THE COVER MUST BE REPLACED. SECURE SET SCREW AFTER REPLACING COVER.
 5. CONDUIT SEAL AT ENCLOSURE ENTRANCE.

CERTIFIED by _____		COPYRIGHT 2008			(2) DM330 EXPLOSIONPROOF FM CONTROL DRAWING
PO # _____	_____	AMETEK DREXELBROOK			
ENG _____	_____	SCALE NONE		205 KEITH VALLEY RD HORSHAM, PA 19044-9986	215-674-1234 FAX 215-674-2731
USER _____	_____	UNLESS OTHERWISE STATED ALL DIMENSIONS IN INCHES (MM)			
_____	2 8-08-110 THP 8-22-08	DR. JJS 8-19-08		420-0004-342-CD	
_____	1 10-06-104 SGA 10-25-06	CK. CDW			
DE # _____	ISS. EDO/DSR NO. APP'D DATE	ISS. OF 1 2		SHT. 1 OF 1	

No. 420-0004-342-CD

SHT. 1 OF 1