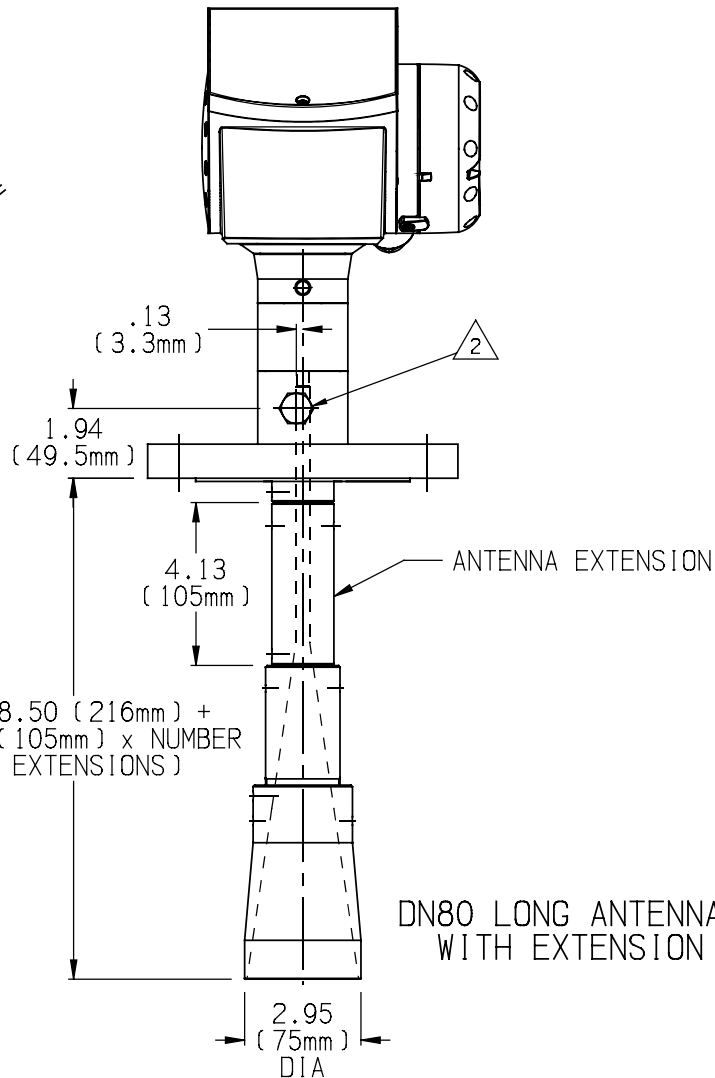
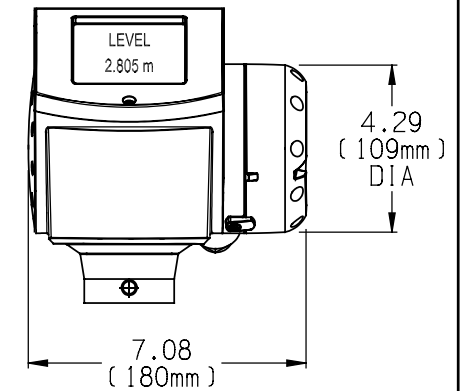


DN80 LONG ANTENNA



DN80 LONG ANTENNA WITH EXTENSION



FLANGE CONNECTIONS	
DN80 PN40 Form B1 EN1092	
3", 150 LBS, RF, ANSI B16.5	
3", 300 LBS, RF, ANSI B16.5	
10K, 50A, RF, JIS B2238	

- NOTES:
- SEE INSTALLATION AND OPERATING INSTRUCTIONS FOR ELECTRICAL CONNECTION DATA.
 - PURGING CONNECTION, OPTIONAL 1/4" NPTF. (ONLY ON ANTENNA LONG & ANTENNA LONG WITH EXTENSION)

CERTIFIED	by _____	5	9-09-104	DWK	3-16-10	COPYRIGHT 2009
PO #	_____	4	4-06-241	DWK	6-7-06	AMETEK DREXELBROOK
ENG	_____	3	8-05-333	DWK	8-22-05	SCALE NONE
USER	_____	2	4-05-331	DWK	4-4-05	UNLESS OTHERWISE STATED ALL DIMENSIONS IN INCHES (MM)
		1	1-05-335	DWK	1-28-05	DR. JJS 9-28-09
DE #	_____	ISS.	EDD/DSR NO.	APP'D	DATE	CK. LEP 3-16-10

AMETEK®
DREXELBROOK

205 KEITH VALLEY RD
HORSHAM, PA 19044-9986

215-674-1234
FAX 215-674-2731

DR7000 SERIES
DN80 ANTENNA
MOUNTING OPTIONS

DR7000-CD2

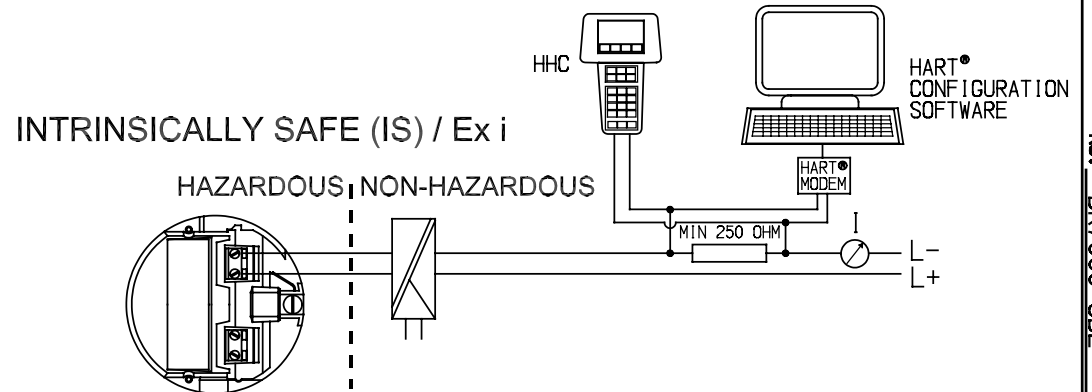
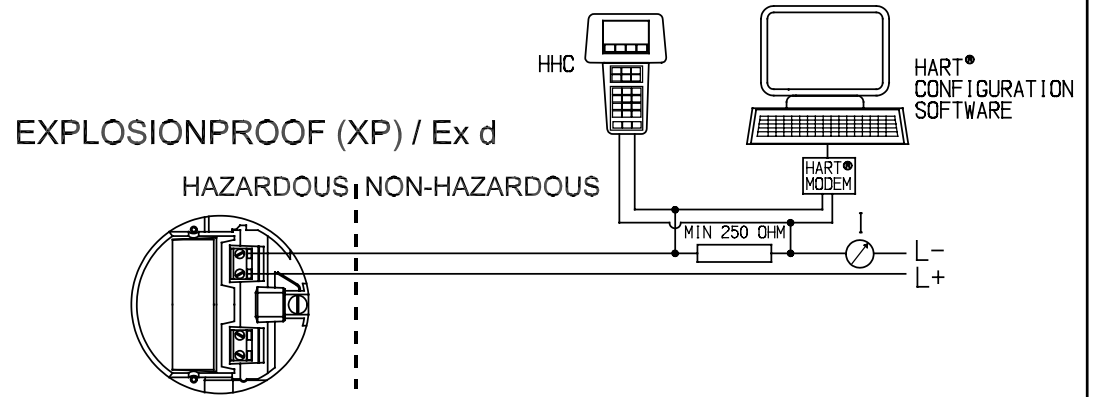
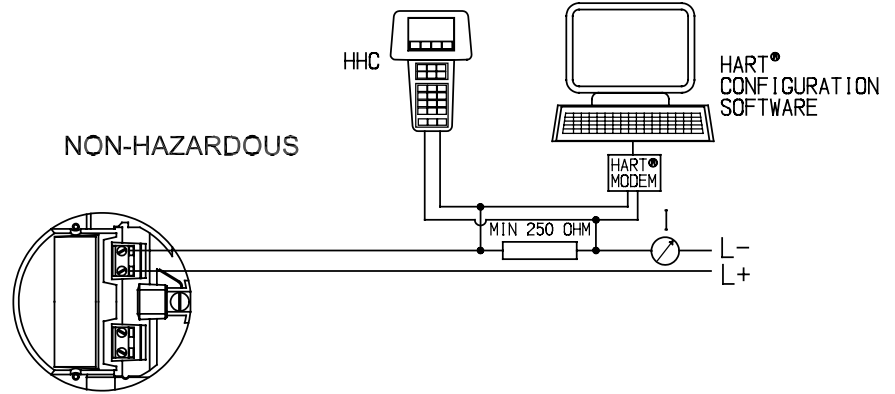
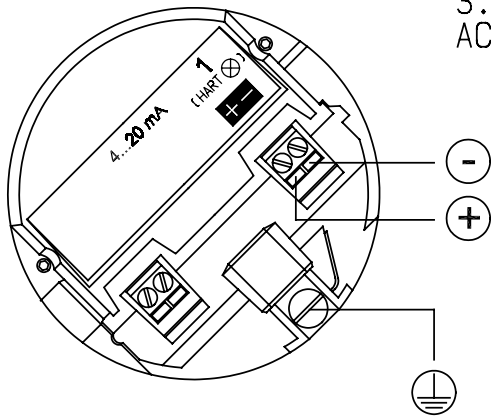
SHT. 1 OF 2
OF 2 ISS. 5

NO. DR7000-CD2

SHT 1 OF 2

ELECTRICAL CONNECTION AND WIRING

OUTPUT 1
 4...20 mA/HART
 OR
 3.8...20.5 mA/HART
 ACC TO NAMUR NE 43



NOTE:
 OTHER OPTIONS HOW TO CONNECT THE HHC
 (HAND HELD COMMUNICATOR) AND MODEM
 TO THE HART® LOOP ARE AVAILABLE.

CERTIFIED	by _____	5	9-09-104	DWK	3-16-10	COPYRIGHT 2009
PO # _____		4	4-06-241	DWK	8-22-05	AMETEK DREXELBROOK
ENG _____		3	8-05-333	DWK	8-22-05	SCALE NONE
USER _____		2	4-05-331	DWK	4-4-05	UNLESS OTHERWISE STATED ALL DIMENSIONS IN INCHES (MM)
		1	1-05-335	DWK	1-28-05	DR. JJS 9-28-09
DE # _____		ISS.	EDO/DSR NO.	APP'D	DATE	CK. LEP 3-16-10

AMETEK® DREXELBROOK

205 KEITH VALLEY RD
 HORSHAM, PA 19044-9986

215-674-1234
 FAX 215-674-2731

DR7000 SERIES,
 DN80 ANTENNA
 ELECTRICAL CONNECTION
 AND WIRING

DR7000-CD2

SHT. 2 OF 2
 ISS. 5

No. DR7000-CD2