

NOTES:

- 1 STD MATERIALS FOR WETTED PARTS:
METAL - CARBON STEEL & 304 SS
INSULATION - TFE

2 OPTIONAL FLANGE MOUNTING AVAILABLE. ANSI 1 MINIMUM SIZE

3 SEE SHEET 2 FOR CUSTOMER WIRING

4 MINIMUM VALVE I.D. IS 7/8 (22.2)

INSTALLATION & INSERTION INSTRUCTIONS: SEE INSTRUCTION MANUAL

CERTIFIED	by _____					COPYRIGHT 1998
PO #	_____	8	5-98-246	DL	5/29/99	DREXELBROOK ENG CO.
ENG	_____	7	3-95-168	ELL	11-16-95	SCALE NONE
USER	_____	6	5-93-81	MPG	6-93	UNLESS OTHERWISE STATED ALL DIMENSIONS IN INCHES (MM)
	_____	5	1-89-170	---	2-89	DR. AJK
DE #	_____	ISS	EDO/DSR NO.	APP'D	DATE	CK. WWC



DREXELBROOK
Engineering Company

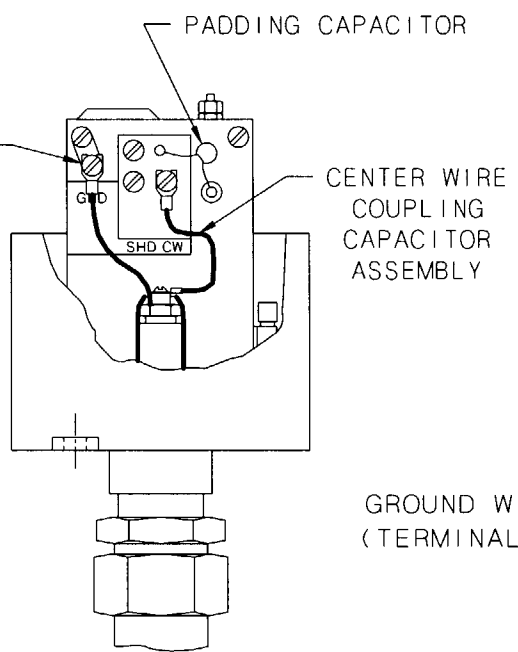
205 KEITH VALLEY RD
HORSHAM, PA 19044-9986

215-674-1234
FAX 215-674-2731

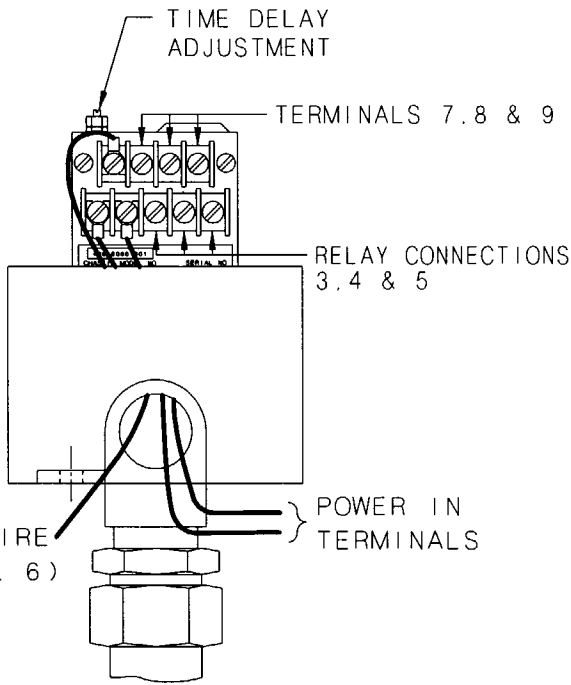
DUMPSTAR™ LEVEL CONTROL
FOR OIL/WATER SEPARATORS
WITH RETRACTABLE SENSING
ELEMENT. LINE POWERED

506-6900-90-CD

SHT. 1 OF 2
ISS OF 2 8

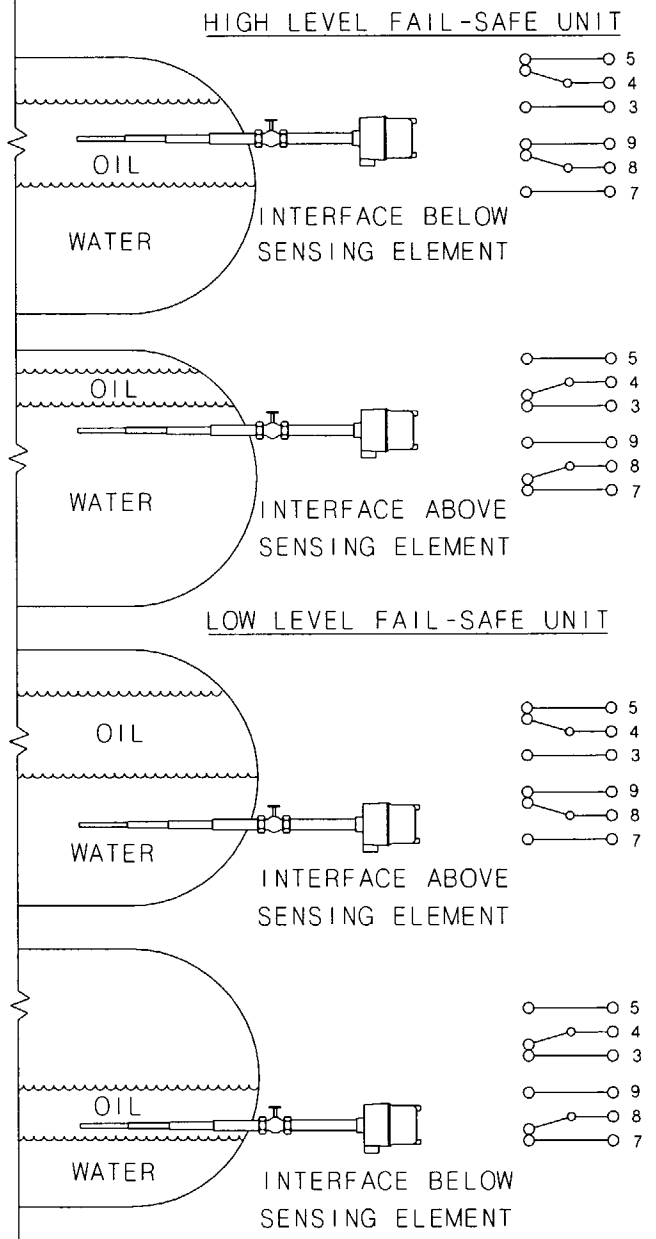


REAR VIEW
FACTORY CONNECTIONS



FRONT VIEW
CUSTOMER CONNECTIONS

ELECTRONIC UNIT MODEL
POWER-IN TERMINALS
[1 NEUT 2 HOT]
[406-6002 120 VAC]
[406-6302 240 VAC]
[1 (-) 2 (+)]
[406-6102 12-30 VDC]



CERTIFIED	by						
PO #		8	5-98-246	DL	5/29/98		
ENG		7	3-95-168	ELL	11-16-95		
USER		6	5-93-81	MPG	6-93		
		5	1-89-170		2-89		
DE #		ISS.	EDO/DSR NO.	APP'D	DATE		

COPYRIGHT 1998
DREXELBROOK ENG CO.
SCALE NONE
UNLESS OTHERWISE STATED
ALL DIMENSIONS IN INCHES (MM)
DR. AJK
CK. WWC

DREXELBROOK
Engineering Company
205 KEITH VALLEY RD
HORSHAM, PA 19044-9986
215-674-1234
FAX 215-674-2731

DUMPSTAR™ LEVEL CONTROL
FOR OIL/WATER SEPARATORS
WITH RETRACTABLE SENSING
ELEMENT. LINE POWERED
506-6900-90-CD
SHT. 2 OF 2
ISS. 8