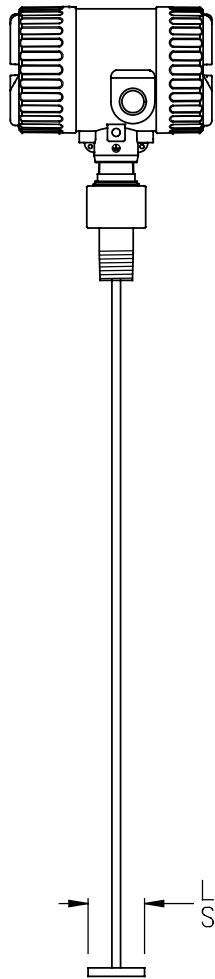


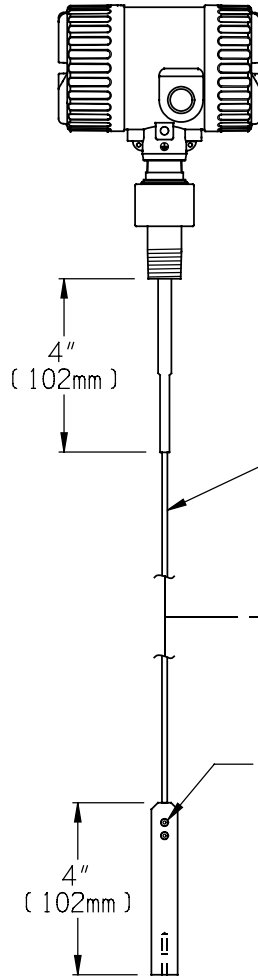
5/16 DIA ROD  
(8mm)

GWB1 316 SS  
GWB2 HASTELLOY



5/16 DIA ROD  
WITH TEE

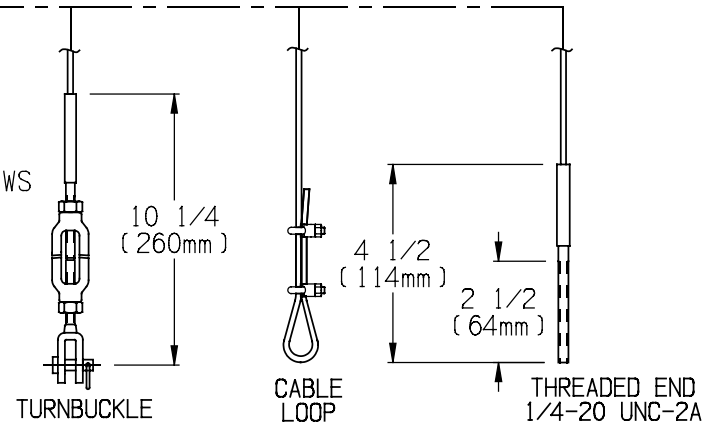
GWB3 316 SS  
GWB4 HASTELLOY



4" (102mm)  
5/32 DIA CABLE  
(4mm)  
4" (102mm)  
WEIGHT\*\*  
3/4 DIA  
(19mm)

## WAVE GUIDE CONFIGURATIONS

SEE SHEET 2 FOR HOUSING DIMENSIONS  
AND MOUNTING OPTIONS



GWC1 5/32 CABLE 316 SS

\*REMOVE WEIGHT TO FIELD SHORTEN CABLE  
\*\*WEIGHT IS THREADED 1/4-20 UNC-2B x 3/4" DEEP

CERTIFIED	by _____				COPYRIGHT 2010
PO # _____					AMETEK DREXELBROOK
ENG _____					SCALE NONE
USER _____					UNLESS OTHERWISE STATED ALL DIMENSIONS IN INCHES (MM)
	1	9-09-108	JEN	3-17-10	DR. JJS 2-4-10
DE # _____	ISS	EDO/DSR NO.	APP'D	DATE	CK. DWK 3-18-10



205 KEITH VALLEY RD  
HORSHAM, PA 19044-9986

215-674-1234  
FAX 215-674-2731

TDR  
NORMAL DUTY  
SINGLE CABLE,  
SINGLE ROD  
WAVE GUIDE

GWXX-CD2

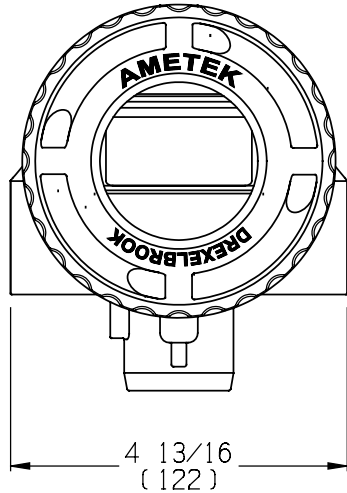
SHT. 1 OF 2  
OF 2 ISS. 1

No. GWXX-CD2

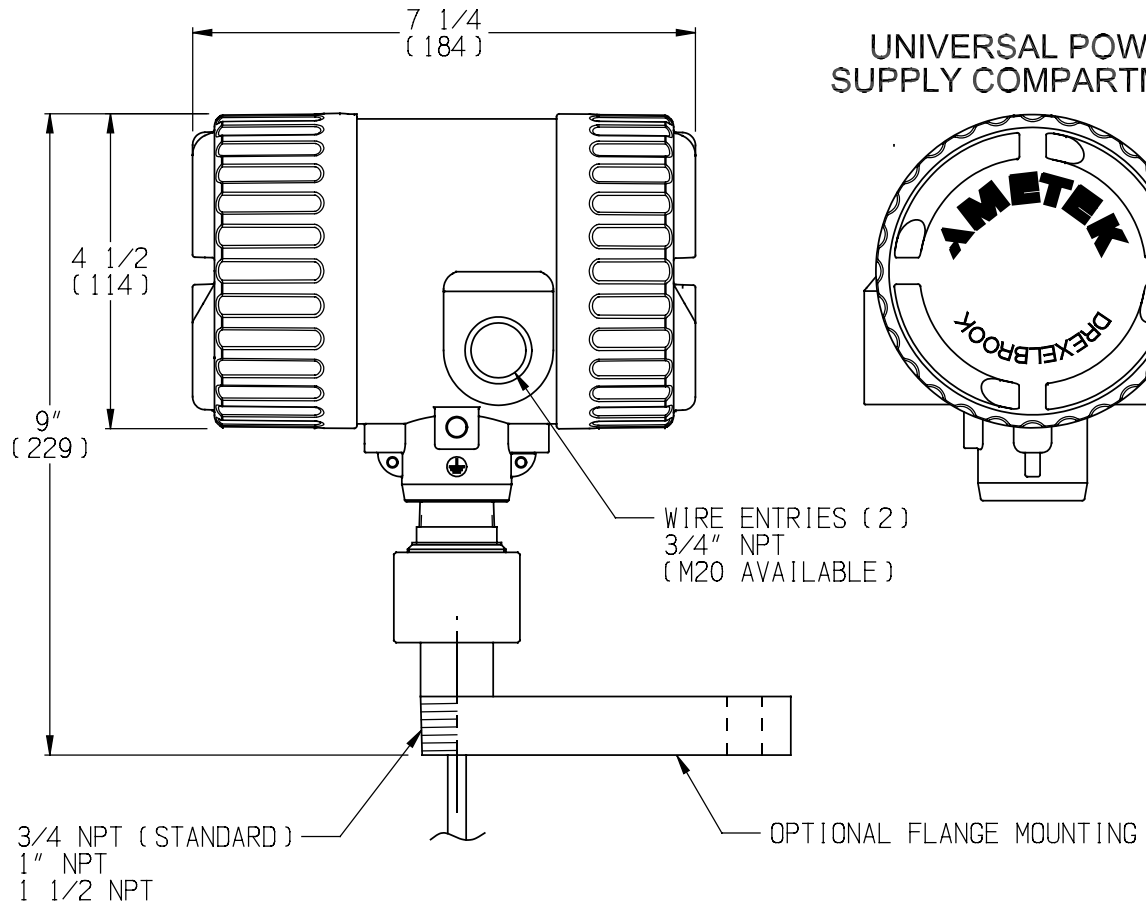
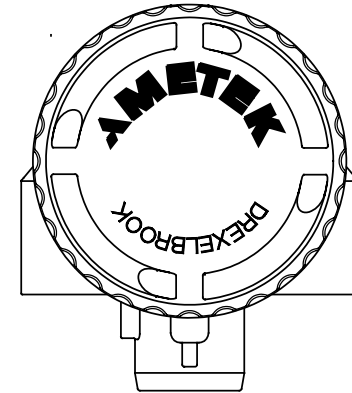
SHT 1 OF 2

# DUAL COMPARTMENT HOUSING

**ELECTRONICS & DISPLAY  
COMPARTMENT**



**UNIVERSAL POWER  
SUPPLY COMPARTMENT**



3/4 NPT (STANDARD)  
1" NPT  
1 1/2 NPT

OPTIONAL FLANGE MOUNTING

CERTIFIED _____ PO # _____ ENG _____ USER _____ DE # _____	by _____				COPYRIGHT 2010 AMETEK DREXELBROOK SCALE NONE UNLESS OTHERWISE STATED ALL DIMENSIONS IN INCHES (MM)		TDR NORMAL DUTY SINGLE CABLE, SINGLE ROD WAVE GUIDE			
		1	9-09-108	JEN	3-17-10	DR. JJS 2-4-10 CK. DWK 3-18-10	215-674-1234 FAX 215-674-2731	GWXX-CD2	SHT. 2 OF 2	ISS. 1

NO. GWXX-CD2

SHT 2 OF 2