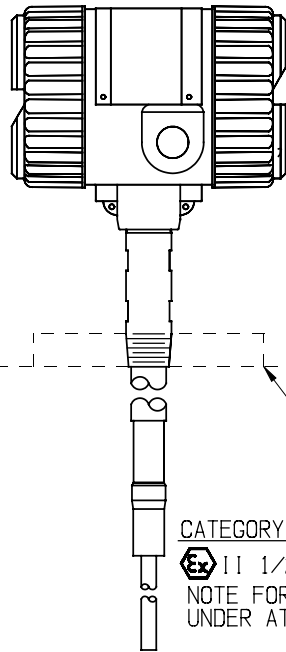


FLAMEPROOF TRANSMITTER ENCLOSURE
WITH INTRINSICALLY SAFE OUTPUT
(INTEGRAL PROBE)

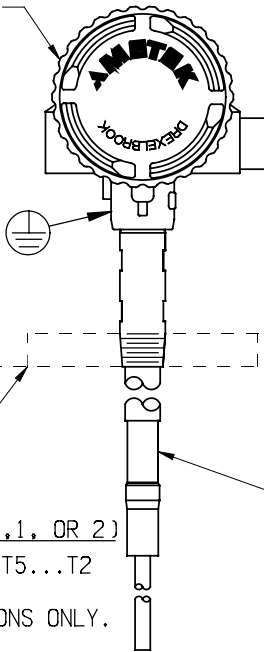
POTENTIALLY HAZARDOUS AREA - CATEGORY 2 (ZONE 1)

Ex II 1/2 GD EEx d [ia] IIC T5...T2
T 90°C
MAXIMUM AMBIENT TEMPERATURE 70°C

NON-HAZARDOUS AREA



FLAMEPROOF
ENCLOSURE



CABLE
GLAND

CABLE

FLANGE OR
THREADED
MOUNTING

INTRINSICALLY SAFE
SENSING ELEMENT

CATEGORY 1,2, OR 3 (ZONE 0,1, OR 2)

Ex II 1/2/3 GD EEx ia IIC T5...T2
NOTE FOR ZONE 0:
UNDER ATMOSPHERIC CONDITIONS ONLY.

⑥

INPUT VOLTAGE
21-200 VDC
85-250 VAC
DC-400 Hz, 2W
TERMINALS 1-2

RELAY
CONNECTIONS
30VDC OR 250 VAC
(MAXIMUM)
TERMINALS 3-8

EQUIPMENT MUST NOT USE OR
GENERATE MORE THAN 250 VAC.

TEMPERATURE CLASS	PROCESS TEMPERATURE
T5	< 100°C
T4	< 135°C
T3	< 200°C
T2	< 230°C

(SENSING ELEMENTS ARE INTRINSICALLY SAFE FOR ABOVE CLASSIFICATIONS. SEE SHEET 3 FOR MODEL NUMBERS).

MODEL NUMBERING SYSTEM FOR KEMA/CENELEC APPROVED SYSTEMS - SEE SHEET 3.

NOTES:

1. ALWAYS INSTALL TO CODES/REQUIREMENTS/DIRECTIVES AS MANDATED BY THE AUTHORITY HAVING JURISDICTION.
2. THE PARTIALLY INSULATED PROBE SHALL BE INSTALLED IN SUCH A WAY THAT IGNITION DUE TO HAZARDOUS ELECTROSTATIC CHARGES CANNOT OCCUR.
3. USE SUPPLY WIRING RATED FOR 90°C OR HIGHER WHEN AMBIENT IS ABOVE 50°C.
4. USE COPPER WIRING ONLY.
5. ASSOCIATED APPARATUS MUST NOT USE OR GENERATE MORE THAN 250 VOLTS.
6. NO REVISIONS TO THIS DOCUMENT WITHOUT KEMA APPROVAL.
7. UNUSED OPENINGS MUST BE PROPERLY SEALED TO MAINTAIN ENCLOSURE ENVIRONMENTAL AND/OR HAZARDOUS LOCATION RATINGS.

****APPROVED DRAWING****
CHANGES TO THIS DRAWING
REQUIRE AGENCY APPROVAL
PER 440-0015-003
 FM CSA KEMA
420-0004-147 _____

NO. 420-0004-146-CD

SHT. 1 OF 5

CERTIFIED	by _____	6	1-06-216	THP	2-22-07	COPYRIGHT 2006
PO #	_____	5	1-06-216	NOT RELEASED		AMETEK DREXELBROOK
ENG	_____	4	11-02-202	SGA	11-27-02	SCALE NONE
USER	_____	3	1-02-201	SGA	3-15-02	UNLESS OTHERWISE STATED ALL DIMENSIONS IN INCHES (MM)
	_____	2	6-01-164	SGA	10-31-01	DR. JJS 2-14-06
DE #	_____	ISS.	EDO/DSR NO.	APP'D	DATE	CK. CDW

AMETEK®
DREXELBROOK

205 KEITH VALLEY RD
HORSHAM, PA 19044-9986

215-674-1234
FAX 215-674-2731

KEMA/ATEX CONTROL
DRAWING FOR
INTELLIPOINT SERIES
ZONE [0] 1 OR 2 (INTEGRAL)

420-0004-146-CD

SHT. 1 OF 5

ISS. 6

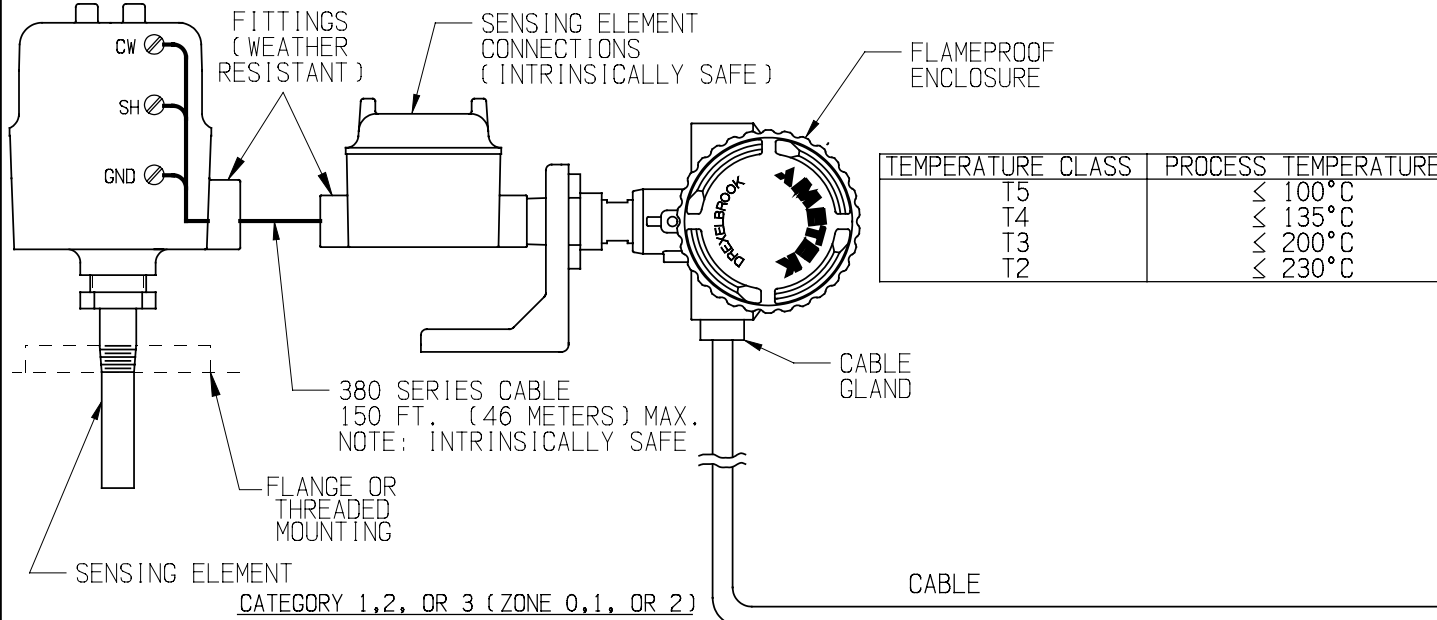
PROBE ENCLOSURE
 285-0001-062
 285-0001-063
 285-0001-064
 285-0001-065
 285-0001-067

FLAMEPROOF TRANSMITTER ENCLOSURE
 WITH INTRINSICALLY SAFE OUTPUT
 (REMOTE PROBE)

POTENTIALLY HAZARDOUS AREA - CATEGORY 2 (ZONE 1)

Ex II (1) 2 GD EEx d [id] IIC T5
 T 90°C
 MAXIMUM AMBIENT TEMPERATURE 70°C

NON-HAZARDOUS AREA



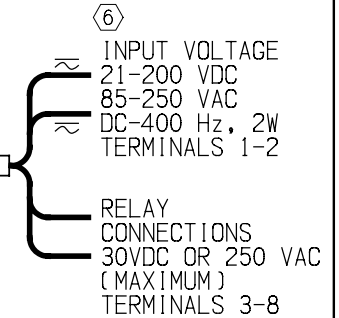
TEMPERATURE CLASS	PROCESS TEMPERATURE
T5	≤ 100°C
T4	≤ 135°C
T3	≤ 200°C
T2	≤ 230°C

****APPROVED DRAWING****
 CHANGES TO THIS DRAWING
 REQUIRE AGENCY APPROVAL
 PER 440-0015-003
 FM CSA KEMA
 420-0004-147

EQUIPMENT MUST NOT USE OR
 GENERATE MORE THAN 250 VAC.

CATEGORY 1,2, OR 3 (ZONE 0,1, OR 2)

Ex II 1/2/3 GD EEx ia IIC T5...T2
 NOTE FOR ZONE 0:
 UNDER ATMOSPHERIC CONDITIONS ONLY.



(SENSING ELEMENTS ARE INTRINSICALLY SAFE FOR ABOVE CLASSIFICATIONS. SEE SHEETS 4 & 5 FOR MODEL NUMBERS).
 MODEL NUMBERING SYSTEM FOR KEMA/CENELEC APPROVED SYSTEMS - SEE SHEETS 4 & 5

- NOTES:
1. ALWAYS INSTALL TO CODES/REQUIREMENTS/DIRECTIVES AS MANDATED BY THE AUTHORITY HAVING JURISDICTION.
 2. THE PARTIALLY INSULATED PROBE SHALL BE INSTALLED IN SUCH A WAY THAT IGNITION DUE TO HAZARDOUS ELECTROSTATIC CHARGES CANNOT OCCUR.
 3. USE SUPPLY WIRING RATED FOR 90°C OR HIGHER WHEN AMBIENT IS ABOVE 50°C.
 4. USE COPPER WIRING ONLY.
 5. ASSOCIATED APPARATUS MUST NOT USE OR GENERATE MORE THAN 250 VOLTS.
 6. NO REVISIONS TO THIS DOCUMENT WITHOUT KEMA APPROVAL.
 7. UNUSED OPENINGS MUST BE PROPERLY SEALED TO MAINTAIN ENCLOSURE ENVIRONMENTAL AND/OR HAZARDOUS LOCATION RATINGS.

CERTIFIED	by	6	1-06-216	THP	2-22-07	COPYRIGHT 2006
PO #		5	1-06-216	NOT RELEASED		AMETEK DREXELBROOK
ENG		4	11-02-202	SGA	11-27-02	SCALE NONE
USER		3	1-02-201	SGA	3-15-02	UNLESS OTHERWISE STATED ALL DIMENSIONS IN INCHES (MM)
		2	6-01-164	SGA	10-31-01	DR. JJS 2-14-06
DE #		ISS.	EDD/DSR NO.	APP'D	DATE	CK. CDW



205 KEITH VALLEY RD
 HORSHAM, PA 19044-9986
 215-674-1234
 FAX 215-674-2731

KEMA/ATEX CONTROL
 DRAWING FOR
 INTELLIPOINT SERIES
 ZONE [0] 1 OR 2 (INTEGRAL)

420-0004-146-CD
 SHT. 2 OF 5
 ISS. 6

No. 420-0004-146-CD SHT 2 OF 5

MODEL NUMBERS OF APPROVED INTRINSICALLY SAFE SENSING ELEMENTS

700-mnop-grs-t LEVEL PROBE

- m = FAMILY NO. 0 THROUGH 9, BLANK
- n = FAMILY NO. 0 THROUGH 9, BLANK
- o = 0 THROUGH 9, BLANK
- p = 0 THROUGH 9
- q = FAMILY NO. 0 THROUGH 9, BLANK
- r = FAMILY NO. 0 THROUGH 9, BLANK
- s = FAMILY NO. 0 THROUGH 9
- t = 14 CHARACTER EXPANDED NUMBERING SYSTEM, DOES NOT AFFECT SAFETY

COPYRIGHT	2006
AMETEK DREXELBROOK	
SCALE	NONE
UNLESS OTHERWISE STATED ALL DIMENSIONS IN INCHES (MM)	
DR.	JJS 2-14-06
CK.	CDW

CERTIFIED	by _____
PO #	_____
ENG	_____
USER	_____

DE #	_____

No. 420-0004-146-CD

6	1-06-216	THP	2-22-07
5	1-06-216	NOT RELEASED	
4	11-02-202	SGA	11-27-02
3	1-02-201	SGA	3-15-02
ISS.	EDO/DSR NO.	APP' D	DATE



205 KEITH VALLEY RD
HORSHAM, PA 19044-9986
215-674-1234
FAX 215-674-2731

KEMA/ATEX APPROVED ADDITIONAL INTRINSICALLY SAFE SENSING ELEMENTS (REMOTE)	
420-0004-146-CD	ISS. SHT. 5 OF 5 OF 5 6

SHT 5 OF 5

1	2	3	4	5	6	7	8	9	10	11	12	
R	a	L	2	0	b	0	c	*	*	*	d	
	a											a = OPTIONS
												N = NO-CAL (STD)
												M = MANUAL SET POINT ADJUSTMENT
												H = HI SENSITIVITY
												G = HI SENSITIVITY MANUAL SET POINT ADJUSTMENT
					b							b = RELAYS
												1 = STANDARD RELAY
												2 = GOLD CONTACTS
							c					c = 0-4
												<i>SENSING ELEMENTS</i>
							0					700-1202-021 KEMA NO. Ex-00.E.2144 U
							1					700-1202-022 KEMA NO. Ex-00.E.2144 U
							2					700-1202-024 KEMA NO. Ex-00.E.2144 U
							3					700-1202-028 KEMA NO. Ex-00.E.2144 U
								*	*	*		SEE MOUNTING CHART
											d	d = A-F, H, K, L OR Z
												INSERTION LENGTH/COTE SHIELD LENGTH
											A	6"/2" & 152.4mm/50.8mm
											B	12"/2" & 304.8mm/50.8mm
											C	12"/3.5" & 304.8mm/88.9mm
											D	18"/2" & 457.2mm/50.8mm
											E	18"/3.5" & 457.2mm/88.9mm
											F	18"/10" & 457.2mm/254mm
											H	36"/10" & 914.4mm/254mm
											K	48"/10" & 1219.2mm/254mm
											L	60"/10" & 1524mm/254mm
											Z	OTHER
											1	18"/6" & 457.2mm/152.4mm
											2	12"/6" & 304.8mm/152.4mm

COPYRIGHT 2006	CERTIFIED	by _____
AMETEK DREXELBROOK	PO # _____	
SCALE NONE	ENG _____	
UNLESS OTHERWISE STATED ALL DIMENSIONS IN INCHES (MM)	USER _____	
DR. JJS 2-14-06		
CK. CDW	DE # _____	

6	1-06-216	THP	2-22-07
5	1-06-216	NOT RELEASED	
4	11-02-202	SGA	11-27-02
3	1-02-201	SGA	3-15-02
ISS.	EDO/DSR NO.	APP'D	DATE



205 KEITH VALLEY RD
HORSHAM, PA 19044-9986
215-674-1234
FAX 215-674-2731

KEMA/ATEX APPROVED INTELLIPOINT MODEL NUMBERING SYSTEM (INTEGRAL)	
420-0004-146-CD	SHT. 3 OF 5 ISS. 6

No. 420-0004-146-CD

SHT 3 OF 5