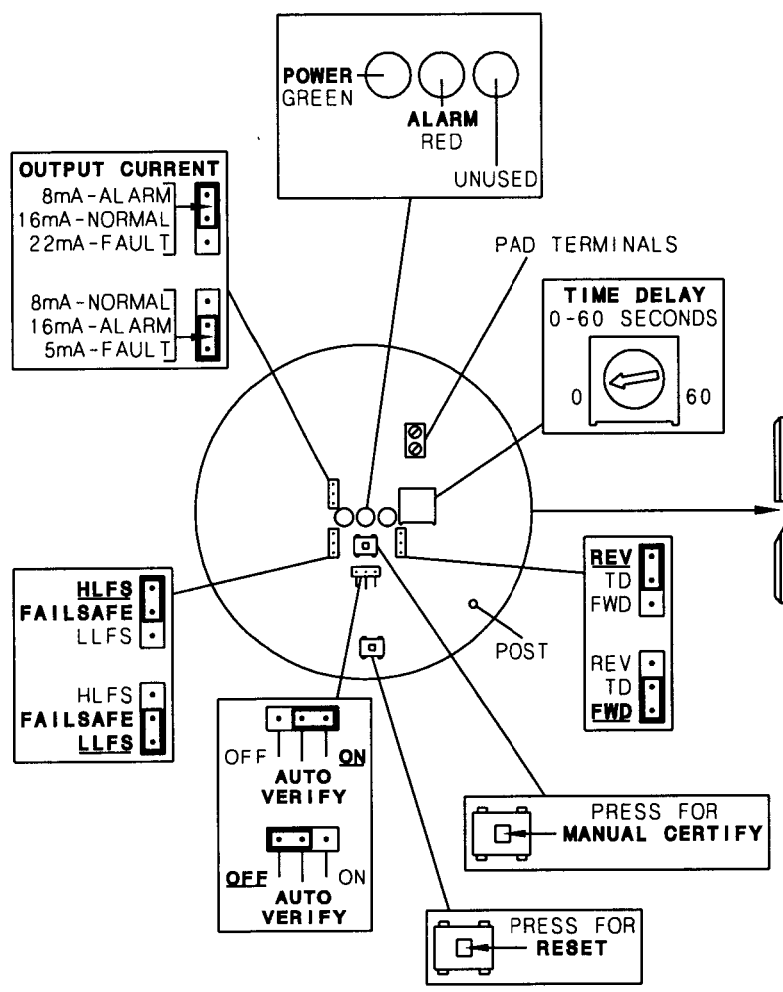
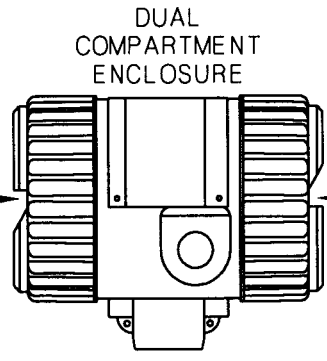
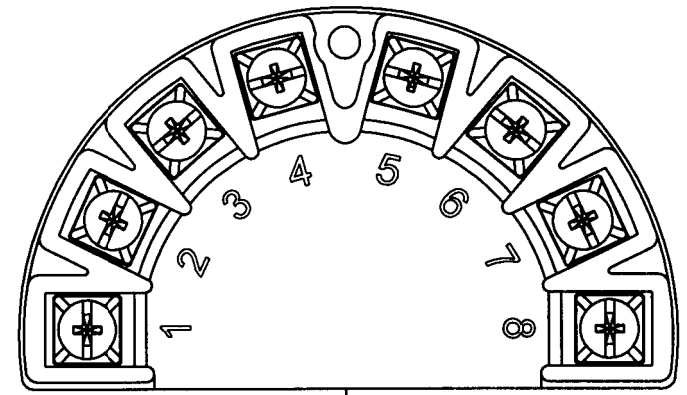


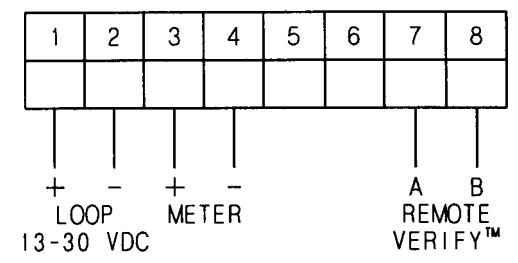
**RF TWO WIRE CIRCUIT BOARD
CONFIGURATION**



**RF TWO WIRE SUPPLY
WIRING DETAIL**



WIRING



CERTIFIED	by					COPYRIGHT 2004
PO #						AMETEK DREXELBROOK
ENG						SCALE NONE
USER						UNLESS OTHERWISE STATED ALL DIMENSIONS IN INCHES (MM)
		2	7-04-333	<i>WS</i>	11-4-04	DR. JJS 11-4-04
		1	11-02-242	<i>WS</i>	11-18-02	CK. <i>CDW</i>
DE #		ISS.	EDO/DSR NO.	APP'D	DATE	



205 KEITH VALLEY RD
HORSHAM, PA 19044-9986

215-674-1234
FAX 215-674-2731

INTELLIPOINT™ RF
INTEGRAL, TWO WIRE

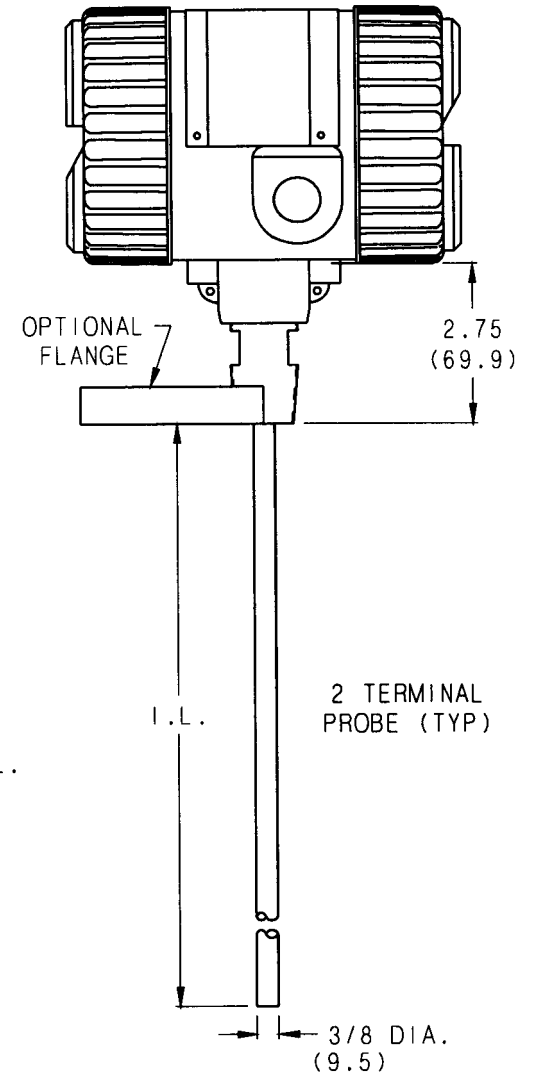
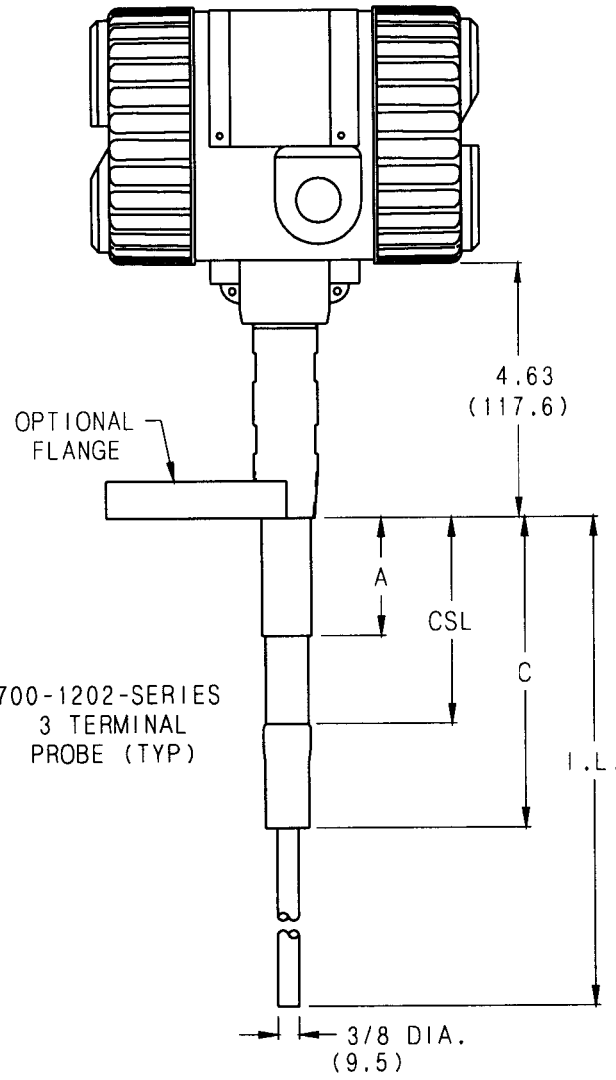
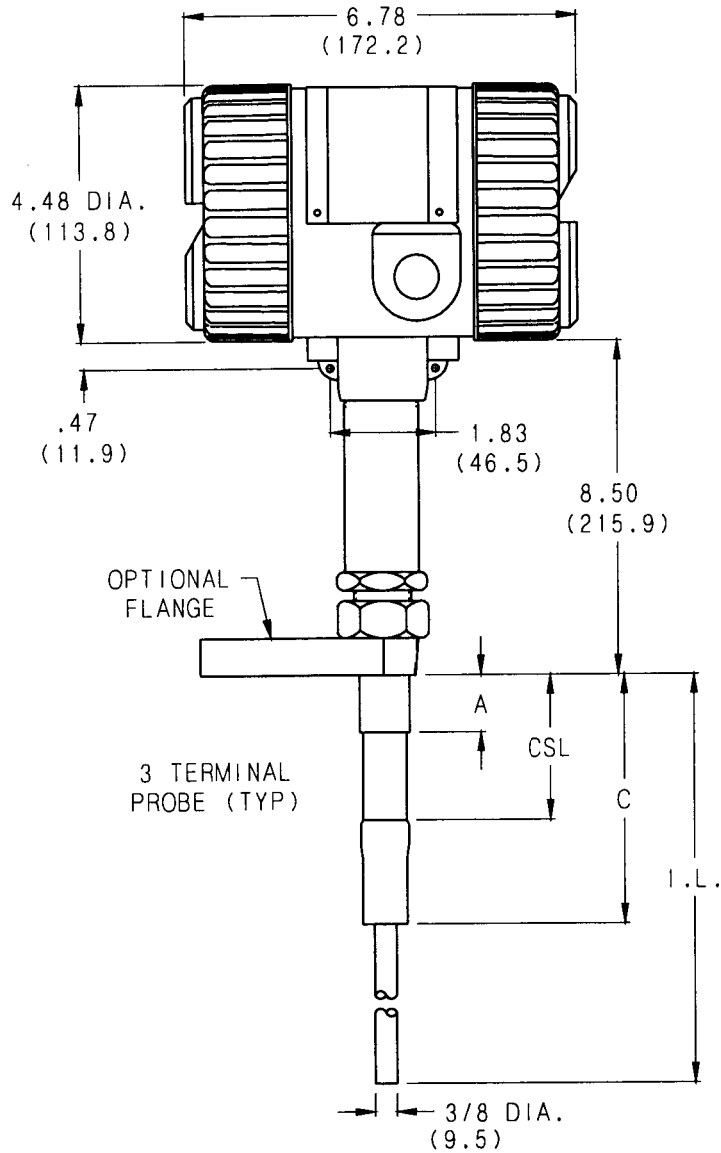
RNTX-01XX-XXXX-CD

SHT. 1	ISS. 1
OF 2	2

NO. RNTX-01XX-XXXX-CD

SHT 1 OF 2

INTEGRAL RF TWO WIRE



CERTIFIED	by _____		
PO #	_____		
ENG	_____		
USER	_____		
	2	7-04-333	11-4-04
	1	11-02-242	WS 11-18-02
DE #	ISS.	EDO/DSR NO.	APP'D DATE

COPYRIGHT 2004
AMETEK DREXELBROOK
SCALE NONE
UNLESS OTHERWISE STATED
ALL DIMENSIONS IN INCHES (MM)
DR. JJS 11-4-04
CK. CDW

AMETEK[®]
DREXELBROOK

205 KEITH VALLEY RD
HORSHAM, PA 19044-9986

215-674-1234
FAX 215-674-2731

INTELLIPOINT[™] RF
INTEGRAL, TWO WIRE

RNTX-01XX-XXXX-CD

SHT. 2 OF 2
ISS. 2

NO. RNTX-01XX-XXXX-CD

SHT. 2 OF 2