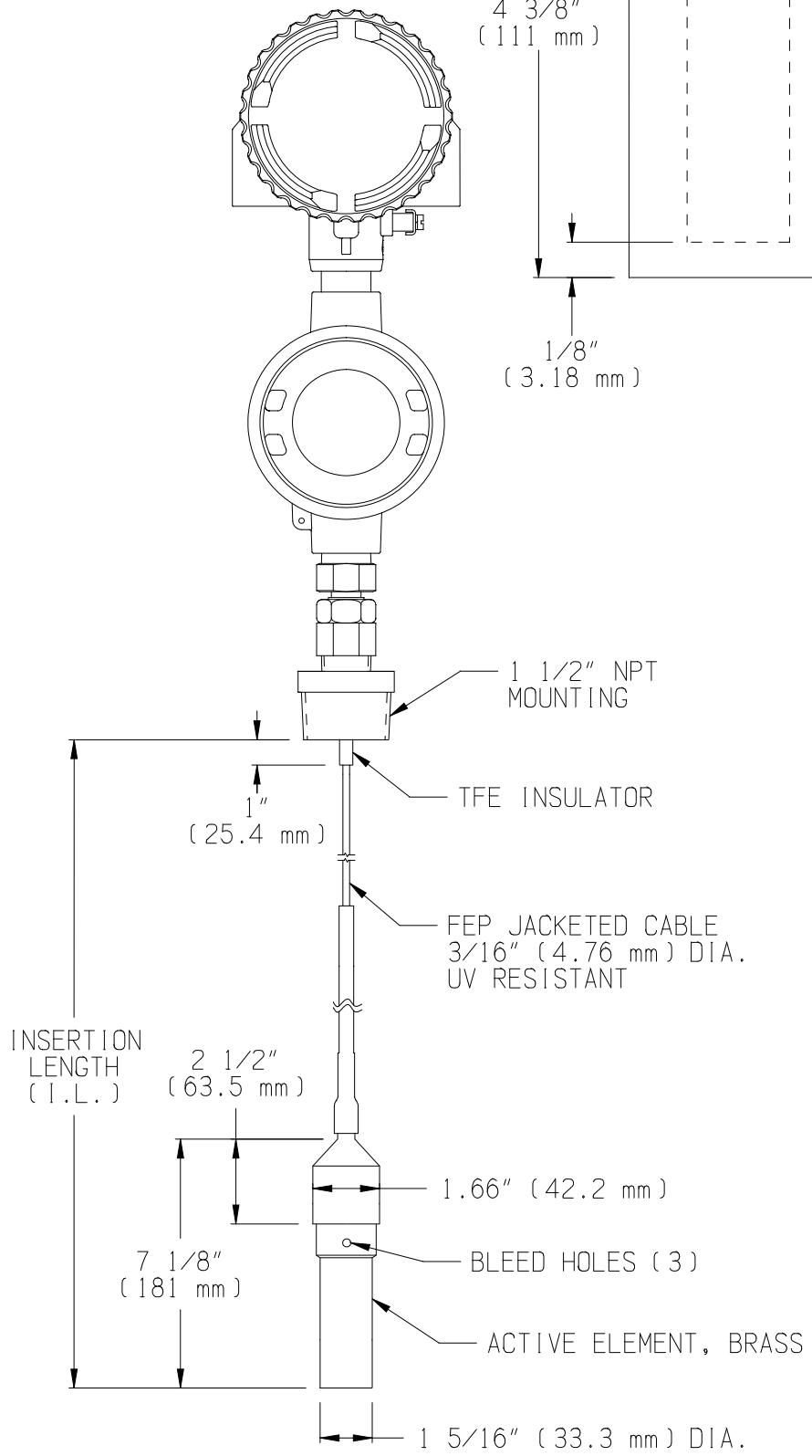


- 1.03" (26.2 mm) AVGAS & JET-A
- 0.96" (24.4 mm) KEROSENE
- 0.94" (23.9 mm) GASOLINE
- 0.89" (22.6 mm) DIESEL
- 0.87" (22.1 mm) CRUDE
- 0.17" (4.32 mm) ETHANOL
- 0.00" (0 mm) WATER



COPYRIGHT 2018
 AMETEK DREXELBROOK

SCALE NONE
 UNLESS OTHERWISE STATED
 ALL DIMENSIONS IN INCHES (MM)

DR. TDH 2-28-18
 CK. JEN 2-28-18

CERTIFIED		by _____	
PO #	_____		
ENG	_____		
USER	_____		
DE # _____			
1	2-18-118	TDH	2-28-18
ISS.	EDO/DSR NO.	APP' D	DATE

AMETEK[®]
DREXELBROOK

205 KEITH VALLEY RD
 HORSHAM, PA 19044-9986

215-674-1234
 FAX 215-674-2731

CUSTOMER DRAWING
 OVERFILL PROTECTION
 SENSING ELEMENT

NO. 700-0005-595-CD1

SHT 1 OF 1