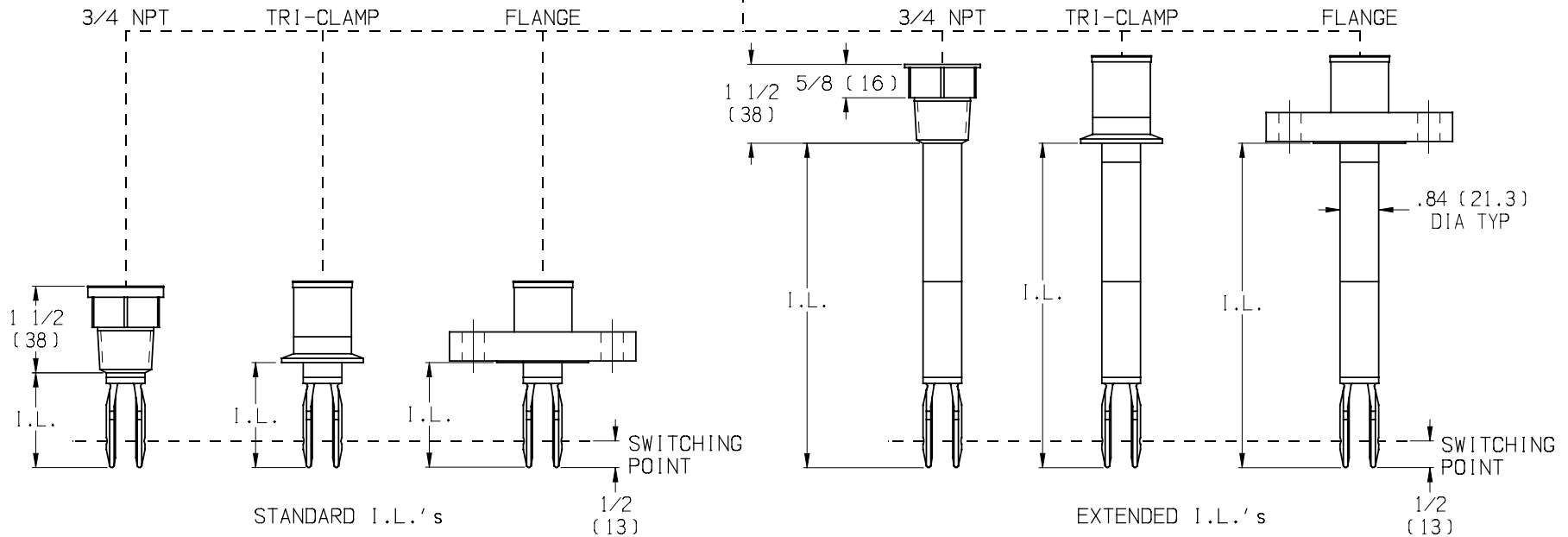
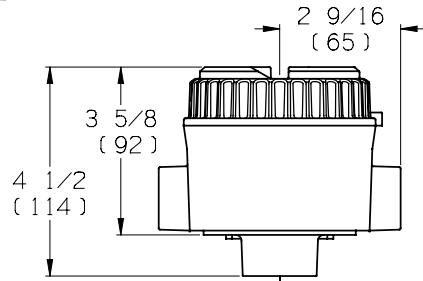
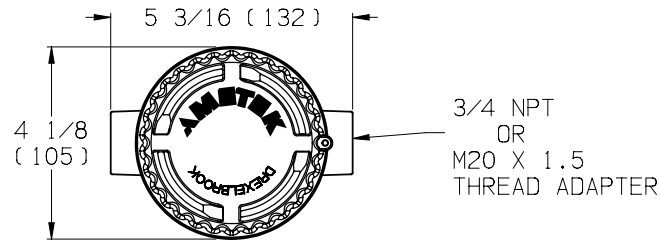


INSERTION LENGTH (I.L.)		
MOUNTING TYPE	STANDARD	EXTENDED
THREADED, 3/4" NPT	1 7/8" (47mm)	3 3/4" (95mm) MIN 118" (3000mm) MAX
FLANGE OR TRI-CLAMP	2 1/8" (54mm)	4" (102mm) MIN 118" (3000mm) MAX



CERTIFIED	by _____				COPYRIGHT 2004
PO #	_____				AMETEK DREXELBROOK
ENG	_____				SCALE NONE
USER	_____				UNLESS OTHERWISE STATED ALL DIMENSIONS IN INCHES (MM)
		1	12-04-333	JEN	1-4-05
DE #		ISS	EDO/DSR NO.	APP'D	DATE
					DR. JJS 12-16-04
					CK. CDW

**AMETEK®**  
**DREXELBROOK**

205 KEITH VALLEY RD  
HORSHAM, PA 19044-9986

215-674-1234  
FAX 215-674-2731

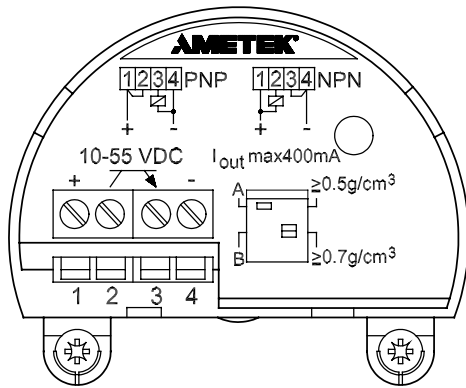
TF-100 SERIES VIBRATION  
POINT LEVEL SWITCH

TF-100-CD

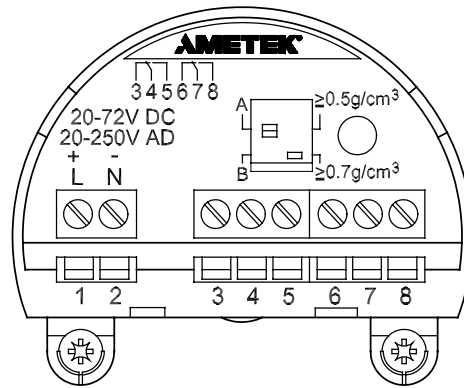
SHT. 1 OF 2  
ISS. 1 OF 2

No. TF-100-CD  
SHT. 1 OF 2

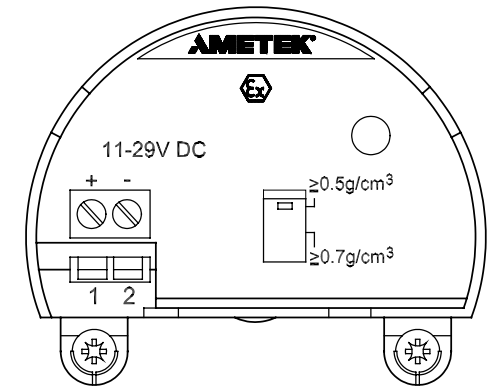
### TRANSISTOR OUTPUT



### RELAY OUTPUT



### CURRENT OUTPUT



CERTIFIED	by _____					COPYRIGHT 2004		TF-100 SERIES VIBRATION POINT LEVEL SWITCH
PO # _____						AMETEK DREXELBROOK		
ENG _____						SCALE NONE		
USER _____						UNLESS OTHERWISE STATED ALL DIMENSIONS IN INCHES (MM)		
		1	12-04-333	JEN	1-4-05	DR. JJS 12-16-04		
DE # _____	ISS.	EDQ/DSR NO.	APP'D	DATE	CK.	CDW	205 KEITH VALLEY RD HORSHAM, PA 19044-9986	215-674-1234 FAX 215-674-2731
								TF-100-CD
								SHT. 2 OF 2
								ISS. 1

No. TF-100-CD

SHT. 2 OF 2