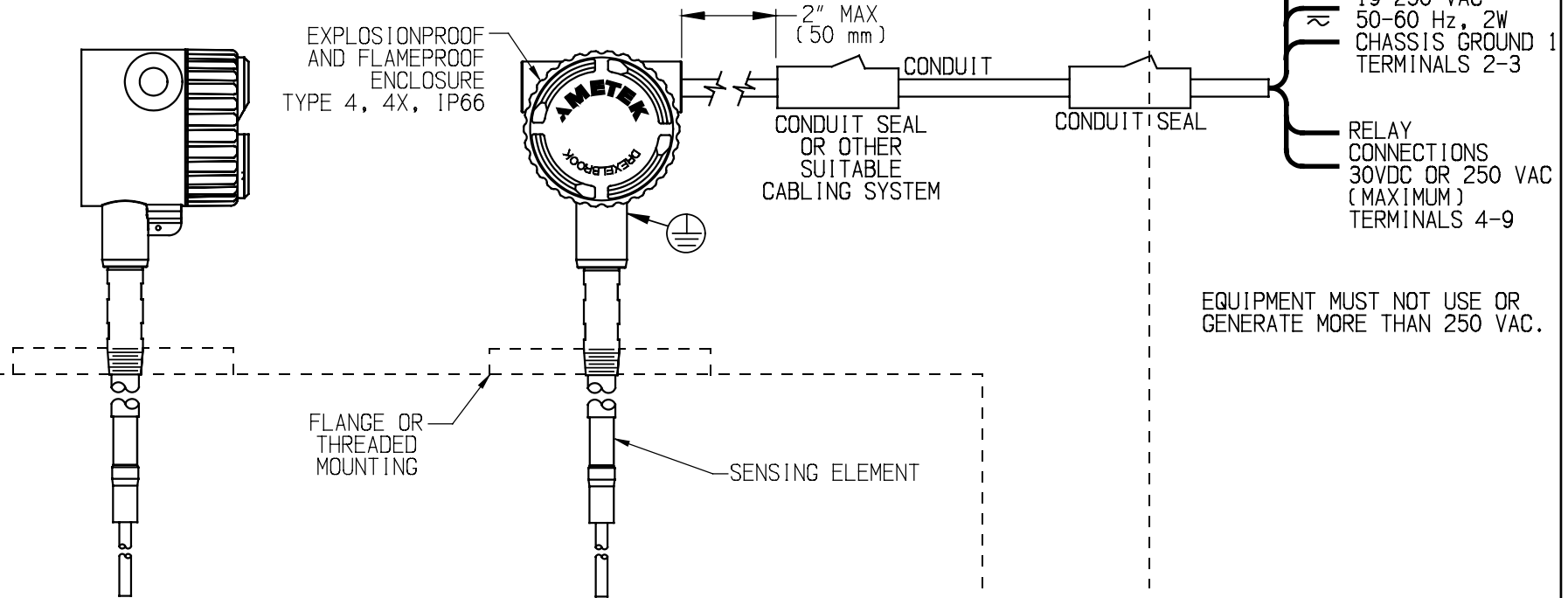


EXPLOSIONPROOF TRANSMITTER
ENCLOSURE WITH INTRINSICALLY SAFE OUTPUT
(INTEGRAL PROBE)

HAZARDOUS (CLASSIFIED) AREA
CL I, DIV 1, GR B,C,D; CL II, GR E,F,G; CL III, T5
MAXIMUM AMBIENT TEMPERATURE 70°C

NON-HAZARDOUS AREA




CL I, DIV 1, GR B,C,D; CL II, GR E,F,G; CL III, T5.
(SENSING ELEMENTS ARE INTRINSICALLY SAFE FOR ABOVE CLASSIFICATIONS).

MODEL NUMBERING SYSTEM FOR CSA CERTIFIED SYSTEMS - SEE SHEET 5

NOTES:

1. THE INSTALLATION MUST BE IN ACCORDANCE WITH THE CANADIAN ELECTRICAL CODE, PART 1, APPENDIX F
2. CABLE FITTINGS SUPPLIED ARE "WEATHER RESISTANT". THEY ARE NOT CERTIFIED AS "EXPLOSIONPROOF" (XP) OR "FLAMEPROOF" (d) UNLESS THEY ARE MARKED. REPLACE WITH APPROPRIATE SEAL FITTINGS AS REQUIRED.
3. USE SUPPLY WIRING RATED FOR 90°C OR HIGHER WHEN AMBIENT IS ABOVE 50°C.
4. USE COPPER WIRING ONLY.
5. ASSOCIATED APPARATUS MUST NOT GENERATE MORE THAN 250 VOLTS.
6. NO REVISIONS TO THIS DRAWING WITHOUT CSA APPROVAL.
7. UNUSED OPENINGS MUST BE PROPERLY SEALED TO MAINTAIN ENCLOSURE ENVIRONMENTAL AND/OR HAZARDOUS LOCATION RATINGS.
8. WARNING: SUBSTITUTION OF COMPONENTS MAY IMPAIR INTRINSIC SAFETY.
AVERTISSEMENT: LA SUBSTITUTION DE COMPOSANT PEUT COMPROMETTRE LA SECURITE INTRINSEQUE.

CERTIFIED	by	5	2-09-104	SGA	2-9-09	COPYRIGHT 2009		CSA CONTROL DRAWING FOR "ThePoint" SERIES DIVISION 1 (INTEGRAL)			
PO #		4	5-07-112	THP	5-14-07	AMETEK DREXELBROOK					
ENG		3	1-06-216	THP	1-3-07	SCALE NONE					
USER		2	3-04-216	THP	4-7-04	UNLESS OTHERWISE STATED ALL DIMENSIONS IN INCHES (MM)					
		1	7-02-201	SGA	5-19-03	DR. JJS 2-9-09					
DE #		ISS	EDD/DSR NO	APP'D	DATE	CK. LEP 12-1-09	205 KEITH VALLEY RD HORSHAM, PA 19044-9986	215-674-1234 FAX 215-674-2731	420-0004-185-CD	SHT. 1 OF 7	ISS. 5

NO. 420-0004-185-CD SHT 1 OF 7

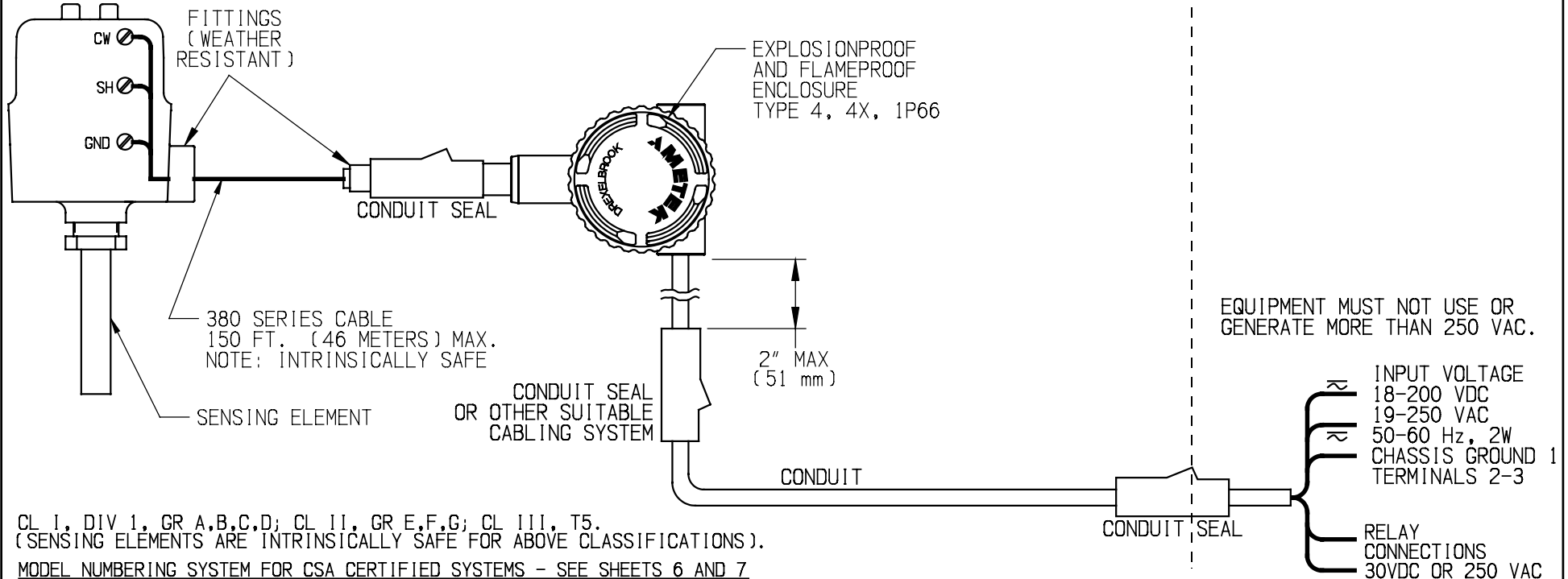
PROBE ENCLOSURE
 285-0001-062
 285-0001-063
 285-0001-064
 285-0001-065
 285-0001-067

**EXPLOSIONPROOF TRANSMITTER ENCLOSURE
 WITH INTRINSICALLY SAFE OUTPUT
 (REMOTE PROBE)**

HAZARDOUS (CLASSIFIED) AREA

NON-HAZARDOUS AREA

CL I, DIV 1, GR A,B,C,D; CL II, GR E,F,G; CL III, T5
 MAXIMUM AMBIENT TEMPERATURE 70°C



CL I, DIV 1, GR A,B,C,D; CL II, GR E,F,G; CL III, T5.
 (SENSING ELEMENTS ARE INTRINSICALLY SAFE FOR ABOVE CLASSIFICATIONS).

MODEL NUMBERING SYSTEM FOR CSA CERTIFIED SYSTEMS - SEE SHEETS 6 AND 7

NOTES:

1. THE INSTALLATION MUST BE IN ACCORDANCE WITH THE CANADIAN ELECTRICAL CODE® PART 1, APPENDIX F.
2. CABLE FITTINGS SUPPLIED ARE "WEATHER RESISTANT". THEY ARE NOT CERTIFIED AS "EXPLOSIONPROOF (XP) OR "FLAMEPROOF" (d) UNLESS THEY ARE MARKED. REPLACE WITH APPROPRIATE SEAL FITTING AS REQUIRED.
3. USE SUPPLY WIRING RATED FOR 90°C OR HIGHER WHEN AMBIENT IS ABOVE 50°C.
4. USE COPPER WIRING ONLY.
5. ASSOCIATED APPARATUS MUST NOT GENERATE MORE THAN 250 VOLTS.
6. NO REVISIONS TO THIS DRAWING WITHOUT FM APPROVAL.
7. UNUSED OPENINGS MUST BE PROPERLY SEALED TO MAINTAIN ENCLOSURE ENVIRONMENTAL AND/OR HAZARDOUS LOCATION RATINGS.
8. WARNING: SUBSTITUTION OF COMPONENTS MAY IMPAIR INTRINSIC SAFETY.
 AVERTISSEMENT: LA SUBSTITUTION DE COMPOSANT PEUT COMPROMETTRE LA SECURITE INTRINSEQUE.

CERTIFIED	by	5	2-09-104	SGA	2-9-09	COPYRIGHT	2009
PO #		4	5-07-112	THP	5-14-07	AMETEK	DREXELBROOK
ENG		3	1-06-216	THP	1-3-07	SCALE	NONE
USER		2	3-04-216	THP	4-7-04	UNLESS OTHERWISE STATED ALL DIMENSIONS IN INCHES (MM)	
		1	7-02-201	SGA	5-19-03	DR.	JJS 2-9-09
DE #		ISS.	EDC/DSR NO.	APP'D	DATE	CK.	LEP 12-1-09

AMETEK®
DREXELBROOK

205 KEITH VALLEY RD
 HORSHAM, PA 19044-9986

215-674-1234
 FAX 215-674-2731

CSA CONTROL DRAWING FOR
 "ThePoint" SERIES
 DIVISION 1 (REMOTE)

420-0004-185-CD

SHT. 2 OF 7
 ISS. 5

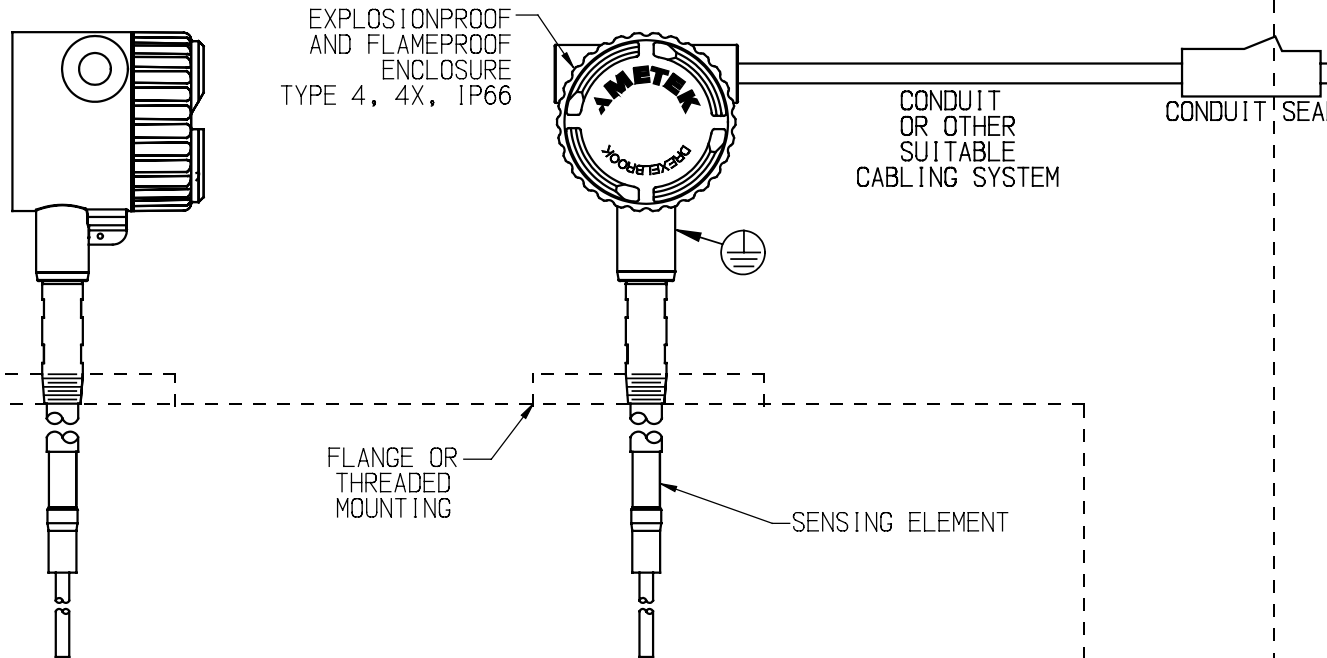
NO. 420-0004-185-CD

SHT 2 OF 7

EXPLOSIONPROOF TRANSMITTER
ENCLOSURE WITH INTRINSICALLY SAFE OUTPUT
(INTEGRAL PROBE)

HAZARDOUS (CLASSIFIED) AREA
CL I, DIV 2, GR A,B,C,D; CL II, GR E,F,G; CL III, T5
MAXIMUM AMBIENT TEMPERATURE 70°C
ENCLOSURE TYPE 4, 4X, IP66

NON-HAZARDOUS AREA



INPUT VOLTAGE
18-200 VDC
19-250 VAC
50-60 Hz, 2W
CHASSIS GROUND 1
TERMINALS 2-3

RELAY
CONNECTIONS
30VDC OR 250 VAC
(MAXIMUM)
TERMINALS 4-9

EQUIPMENT MUST NOT USE OR
GENERATE MORE THAN 250 VAC.

CL I, DIV 2, GR A,B,C,D; CL II, GR E,F,G; CL III, T5.
(SENSING ELEMENTS ARE INTRINSICALLY SAFE FOR ABOVE CLASSIFICATIONS).

MODEL NUMBERING SYSTEM FOR CSA CERTIFIED SYSTEMS - SEE SHEET 5

- NOTES:
1. THE INSTALLATION MUST BE IN ACCORDANCE WITH CANADIAN ELECTRICAL CODE, PART 1, APPENDIX F.
 2. CABLE FITTINGS SUPPLIED ARE "WEATHER RESISTANT". THEY ARE NOT CERTIFIED AS "EXPLOSIONPROOF" (XP) OR "FLAMEPROOF" (d) UNLESS THEY ARE MARKED. REPLACE WITH APPROPRIATE SEAL FITTINGS AS REQUIRED.
 3. USE SUPPLY WIRING RATED FOR 90°C OR HIGHER WHEN AMBIENT IS ABOVE 50°C.
 4. USE COPPER WIRING ONLY.
 5. ASSOCIATED APPARATUS MUST NOT GENERATE MORE THAN 250 VOLTS.
 6. NO REVISIONS TO THIS DRAWING WITHOUT CSA APPROVAL.
 7. UNUSED OPENINGS MUST BE PROPERLY SEALED TO MAINTAIN ENCLOSURE ENVIRONMENTAL AND/OR HAZARDOUS LOCATION RATINGS.
 8. WARNING: SUBSTITUTION OF COMPONENTS MAY IMPAIR INTRINSIC SAFETY.
AVERTISSEMENT: LA SUBSTITUTION DE COMPOSANT PEUT COMPROMETTRE LA SECURITE INTRINSEQUE.

CERTIFIED	by	5	2-09-104	SGA	2-9-09	COPYRIGHT 2009
PO #		4	5-07-112	THP	5-14-07	AMETEK DREXELBROOK
ENG		3	1-06-216	THP	1-3-07	SCALE NONE
USER		2	3-04-216	THP	4-7-04	UNLESS OTHERWISE STATED
		1	7-02-201	SGA	5-19-03	ALL DIMENSIONS IN INCHES (MM)
DE #		ISS.	EDO/DSR NO.	APP'D	DATE	DR. JJS 2-9-09
						CK. LEP 12-1-09

AMETEK®
DREXELBROOK

205 KEITH VALLEY RD
HORSHAM, PA 19044-9986

215-674-1234
FAX 215-674-2731

CSA CONTROL DRAWING FOR
"ThePoint" SERIES
DIVISION 2 (INTEGRAL)

420-0004-185-CD

SHT. 3 OF 7
ISS. 5

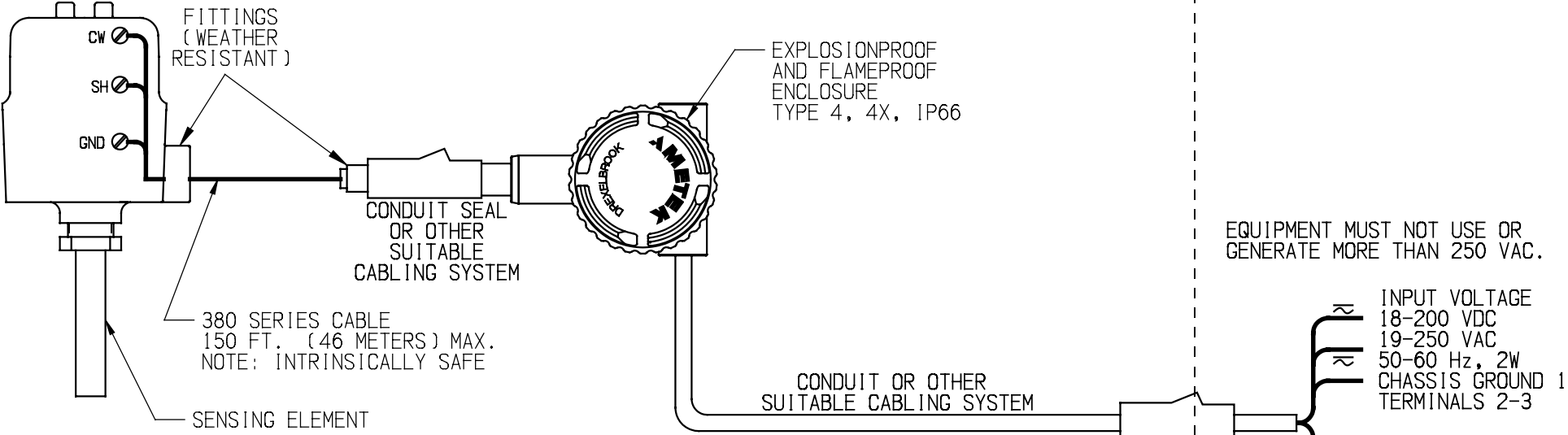
NO. 420-0004-185-CD
SHT 3 OF 7

**EXPLOSIONPROOF TRANSMITTER
ENCLOSURE WITH INTRINSICALLY SAFE OUTPUT
(INTEGRAL PROBE)**

HAZARDOUS (CLASSIFIED) AREA
CL I, DIV 2, GR A,B,C,D; CL II, GR E,F,G; CL III, T5
MAXIMUM AMBIENT TEMPERATURE 70°C
ENCLOSURE TYPE 4, 4X, IP66

NON-HAZARDOUS AREA

PROBE ENCLOSURE
285-0001-062
285-0001-063
285-0001-064
285-0001-065
285-0001-067



EQUIPMENT MUST NOT USE OR GENERATE MORE THAN 250 VAC.

CL I, DIV 2, GR A,B,C,D; CL II, GR E,F,G; CL III, T5.
(SENSING ELEMENTS ARE INTRINSICALLY SAFE FOR ABOVE CLASSIFICATIONS).

MODEL NUMBERING SYSTEM FOR CSA CERTIFIED SYSTEMS - SEE SHEETS 6 & 7

NOTES:

1. THE INSTALLATION MUST BE IN ACCORDANCE WITH CANADIAN ELECTRICAL CODE, PART 1, APPENDIX F.
2. CABLE FITTINGS SUPPLIED ARE "WEATHER RESISTANT". THEY ARE NOT CERTIFIED AS "EXPLOSIONPROOF" (XP) OR "FLAMEPROOF" (d) UNLESS THEY ARE MARKED. REPLACE WITH APPROPRIATE SEAL FITTINGS AS REQUIRED.
3. USE SUPPLY WIRING RATED FOR 90°C OR HIGHER WHEN AMBIENT IS ABOVE 50°C.
4. USE COPPER WIRING ONLY.
5. ASSOCIATED APPARATUS MUST NOT GENERATE MORE THAN 250 VOLTS.
6. NO REVISIONS TO THIS DRAWING WITHOUT CSA APPROVAL.
7. UNUSED OPENINGS MUST BE PROPERLY SEALED TO MAINTAIN ENCLOSURE ENVIRONMENTAL AND/OR HAZARDOUS LOCATION RATINGS.
8. WARNING; SUBSTITUTION OF COMPONENTS MAY IMPAIR INTRINSIC SAFETY.
AVERTISSEMENT; LA SUBSTITUTION DE COMPOSANT PEUT COMPROMETTRE LA SECURITE INTRINSEQUE.

CERTIFIED	by	5	2-09-104	SGA	2-9-09	COPYRIGHT	2009
PO #		4	5-07-112	THP	5-14-07	AMETEK	DREXELBROOK
ENG		3	1-06-216	THP	1-3-07	SCALE	NONE
USER		2	3-04-216	THP	4-7-04	UNLESS OTHERWISE STATED ALL DIMENSIONS IN INCHES (MM)	
		1	7-02-201	SGA	5-19-03	DR.	JJS 2-9-09
DE #		ISS.	EDO/DSR NO.	APP'D	DATE	CK.	LEP 12-1-09

AMETEK®
DREXELBROOK

205 KEITH VALLEY RD
HORSHAM, PA 19044-9986

215-674-1234
FAX 215-674-2731

CSA CONTROL DRAWING FOR
"ThePoint" SERIES
DIVISION 2 (REMOTE)

420-0004-185-CD	SHT. 4 OF 7	ISS. 5
-----------------	----------------	-----------

NO. 420-0004-185-CD

SHT 4 OF 7

1	2	3	4	5	6	7	8	9	10	11	12	COLUMNS 9 AND UP DO NOT AFFECT SAFETY
P	a	L	b	c	0	0	d	*	*	*	*	
	a											a = MODE N = STD UNIT NO-CAL L = STD 2pf FIXED T = 10pf AUTO CAL V = 10pf FIXED CAL H = HI SENSE .5pf AUTO CAL P = HI SENSE .5pf FIXED G = HI SENSE MANUAL M = STD SENSE MANUAL
			b									b = OUTPUT 1 = 1 DPDT RELAY 2 = 1 GOLD DPDT RELAY
				c								c = 4 = STD 7,A = DUAL SEAL (5)
							d					d = 0-3
												<i>SENSING ELEMENTS</i>
							0					700-1202-021
							1					700-1202-022
							2					700-1202-024
							3					700-1202-028

COPYRIGHT 2009 AMETEK DREXELBROOK	CERTIFIED _____ by _____
SCALE NONE <small>UNLESS OTHERWISE STATED ALL DIMENSIONS IN INCHES (MM)</small>	PO # _____
DR. JJS 2-9-09	ENG _____
CK. LEP 12-1-09	USER _____
	DE # _____

5	2-09-104	SGA	2-9-09
4	5-07-112	THP	5-14-07
3	1-06-216	THP	1-3-07
2	3-04-216	THP	4-7-04
ISS.	EDO/DSR NO.	APP' D	DATE

AMETEK®
DREXELBROOK

205 KEITH VALLEY RD
HORSHAM, PA 19044-9986
215-674-1234
FAX 215-674-2731

CSA APPROVED
"ThePoint"
MODEL NUMBERING SYSTEM
(INTEGRAL)

420-0004-185-CD

SHT. 5 OF 7
OF 7 5

NO. 420-0004-185-CD

SHT 5 OF 7

MODEL NUMBERS OF APPROVED INTRINSICALLY SAFE SENSING ELEMENTS

700-mnop-qrst LEVEL PROBE

- m = FAMILY NO. 0 THROUGH 9, BLANK
- n = FAMILY NO. 0 THROUGH 9, BLANK
- o = 0 THROUGH 9, BLANK
- p = 0 THROUGH 9
- q = FAMILY NO. 0 THROUGH 9, BLANK
- r = FAMILY NO. 0 THROUGH 9, BLANK
- s = FAMILY NO. 0 THROUGH 9
- t = 14 CHARACTER EXPANDED NUMBERING SYSTEM, DOES NOT AFFECT SAFETY

COPYRIGHT 2009	CERTIFIED _____ by _____
AMETEK DREXELBROOK	PO # _____
SCALE NONE	ENG _____
UNLESS OTHERWISE STATED ALL DIMENSIONS IN INCHES (MM)	USER _____
DR. JJS 2-9-09	_____
CK. LEP 12-1-09	_____
	DE # _____

5	2-09-104	SGA	2-9-09
4	5-07-112	THP	5-14-07
3	1-06-216	THP	1-3-07
2	3-04-216	THP	4-7-04
ISS.	EDO/DSR NO.	APP' D	DATE



205 KEITH VALLEY RD
HORSHAM, PA 19044-9986

215-674-1234
FAX 215-674-2731

CSA APPROVED
"ThePoint"
MODEL NUMBERING SYSTEM
(REMOTE)

420-0004-185-CD

SHT. 7 OF 7
ISS. 5
OF 7

NO. 420-0004-185-CD