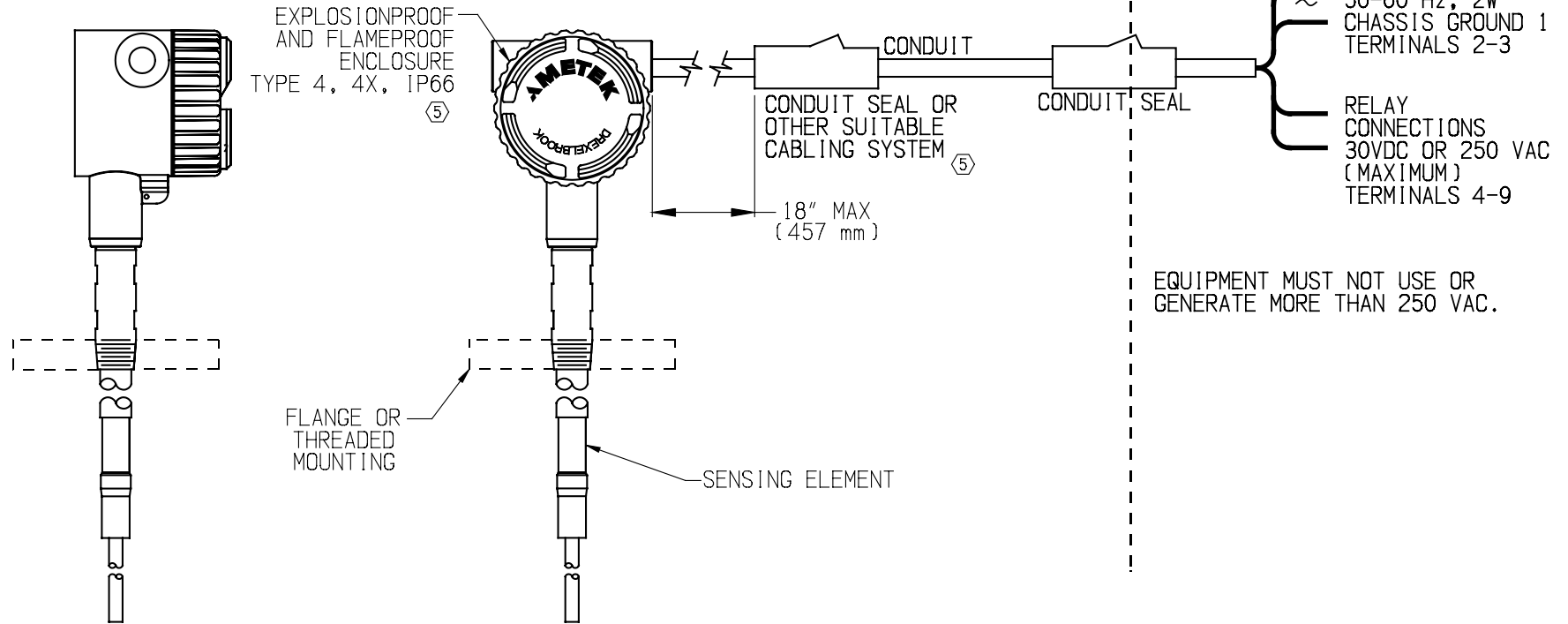


**EXPLOSIONPROOF TRANSMITTER ENCLOSURE
WITH INTRINSICALLY SAFE OUTPUT
(INTEGRAL PROBE)**

DIVISION 1 CLASS I GROUP B
SENSING ELEMENTS ARE INTRINSICALLY SAFE FOR ABOVE CLASSIFICATIONS.

HAZARDOUS (CLASSIFIED) AREA

NON-HAZARDOUS AREA



INPUT VOLTAGE
18-200 VDC
19-250 VAC
50-60 Hz, 2W
CHASSIS GROUND 1
TERMINALS 2-3

RELAY
CONNECTIONS
30VDC OR 250 VAC
(MAXIMUM)
TERMINALS 4-9

EQUIPMENT MUST NOT USE OR
GENERATE MORE THAN 250 VAC.

MODEL NUMBERING SYSTEM FOR FM APPROVED INTEGRAL SYSTEMS - SEE SHEETS 8 AND 9

NOTES:

- ⑤ 1. INSTALLATIONS IN CANADA MUST BE IN ACCORDANCE WITH THE CANADIAN ELECTRICAL CODE (C22.1) AS APPLICABLE.
2. THE INSTALLATION MUST BE IN ACCORDANCE WITH NATIONAL ELECTRICAL CODE® ANSI/NFPA 70.
3. CABLE FITTINGS SUPPLIED ARE "WEATHER RESISTANT". THEY ARE NOT CERTIFIED AS "EXPLOSIONPROOF" (XP) OR "FLAMEPROOF" (d) UNLESS THEY ARE MARKED. REPLACE WITH APPROPRIATE SEAL FITTINGS AS REQUIRED.
4. USE SUPPLY WIRING RATED FOR 90°C OR HIGHER WHEN AMBIENT IS ABOVE 50°C.
5. USE COPPER WIRING ONLY.
6. ASSOCIATED APPARATUS MUST NOT GENERATE MORE THAN 250 VOLTS.
7. NO REVISIONS TO THIS DRAWING WITHOUT FM APPROVAL.
8. UNUSED OPENINGS MUST BE PROPERLY SEALED TO MAINTAIN ENCLOSURE ENVIRONMENTAL AND/OR HAZARDOUS LOCATION RATINGS.

CERTIFIED	by _____	5	4-10-102	THP	12-15-10	COPYRIGHT 2010
PO #	_____	4	2-09-102	SGA	2-6-09	AMETEK DREXELBROOK
ENG	_____	3	1-06-216	THP	1-29-07	SCALE NONE
USER	_____	2	2-04-216	THP	2-26-04	UNLESS OTHERWISE STATED ALL DIMENSIONS IN INCHES (MM)
		1	7-02-201	SGA	9-6-02	DR. JJS 12-15-10
DE #	_____	ISS.	EDD/DSR NO.	APP'D	DATE	CK. LEP 12-15-10

AMETEK®
DREXELBROOK

205 KEITH VALLEY RD
HORSHAM, PA 19044-9986

215-674-1234
FAX 215-674-2731

FM/FMc CONTROL DRAWING
FOR "ThePoint" SERIES
CLASS I, DIVISION 1,
GROUP B (INTEGRAL)

420-0004-181-CD

SHT. 1 OF 11
ISS. 5

No. 420-0004-181-CD

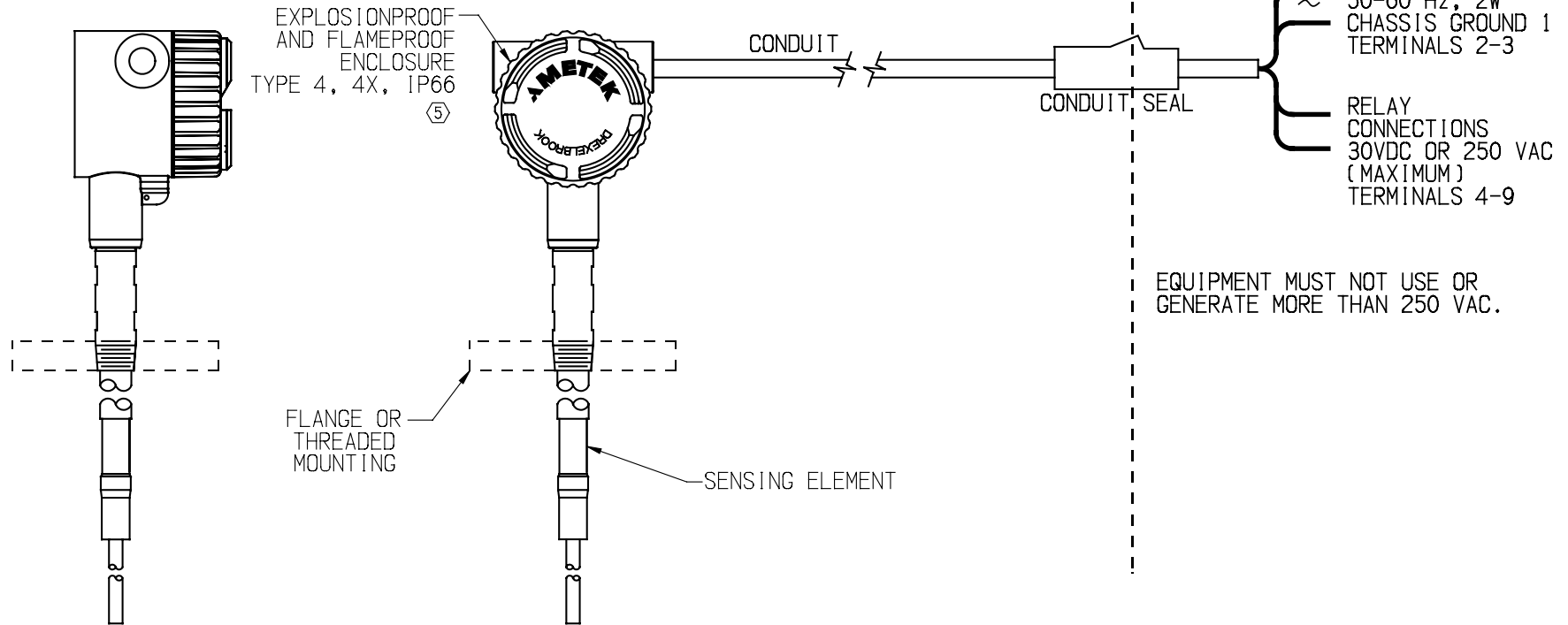
SHT 1 OF 11

**EXPLOSIONPROOF TRANSMITTER ENCLOSURE
WITH INTRINSICALLY SAFE OUTPUT
(INTEGRAL PROBE)**

DIVISION I CLASS I GROUPS C,D; CLASS II GROUPS E,F,G; CLASS III
SENSING ELEMENTS ARE INTRINSICALLY SAFE FOR ABOVE CLASSIFICATIONS.

HAZARDOUS (CLASSIFIED) AREA

NON-HAZARDOUS AREA



MODEL NUMBERING SYSTEM FOR FM APPROVED INTEGRAL SYSTEMS - SEE SHEETS 8 AND 9

- NOTES:
- ⑤1. INSTALLATION IN CANADA MUST BE IN ACCORDANCE WITH THE CANADIAN ELECTRICAL CODE (C22.1) AS APPLICABLE.
 2. THE INSTALLATION MUST BE IN ACCORDANCE WITH NATIONAL ELECTRICAL CODE® ANSI/NFPA 70.
 3. CABLE FITTINGS SUPPLIED ARE "WEATHER RESISTANT". THEY ARE NOT CERTIFIED AS "EXPLOSIONPROOF" (XP) OR "FLAMEPROOF" (d) UNLESS THEY ARE MARKED. REPLACE WITH APPROPRIATE SEAL FITTINGS AS REQUIRED.
 4. USE SUPPLY WIRING RATED FOR 90°C OR HIGHER WHEN AMBIENT IS ABOVE 50°C.
 5. USE COPPER WIRING ONLY.
 6. ASSOCIATED APPARATUS MUST NOT GENERATE MORE THAN 250 VOLTS.
 7. NO REVISIONS TO THIS DRAWING WITHOUT FM APPROVAL.
 8. UNUSED OPENINGS MUST BE PROPERLY SEALED TO MAINTAIN ENCLOSURE ENVIRONMENTAL AND/OR HAZARDOUS LOCATION RATINGS.

CERTIFIED	by	5	4-10-102	THP	12-15-10	COPYRIGHT 2010
PO #		4	2-09-102	SGA	2-6-09	AMETEK DREXELBROOK
ENG		3	1-06-216	THP	1-29-07	SCALE NONE
USER		2	2-04-216	THP	2-26-04	UNLESS OTHERWISE STATED ALL DIMENSIONS IN INCHES (MM)
		1	7-02-201	SGA	9-6-02	DR. JJS 12-15-10
DE #		ISS.	EDQ/DSR NO.	APP'D	DATE	CK. LEP 12-15-10

AMETEK®
DREXELBROOK

205 KEITH VALLEY RD
HORSHAM, PA 19044-9986

215-674-1234
FAX 215-674-2731

FM/FM_c CONTROL DRAWING
FOR "ThePoint" SERIES
CLASS I, II, III
DIVISION I, GROUPS C-G
(INTEGRAL)

420-0004-181-CD

SHT. 2
OF 11
ISS. 5

No. 420-0004-181-CD

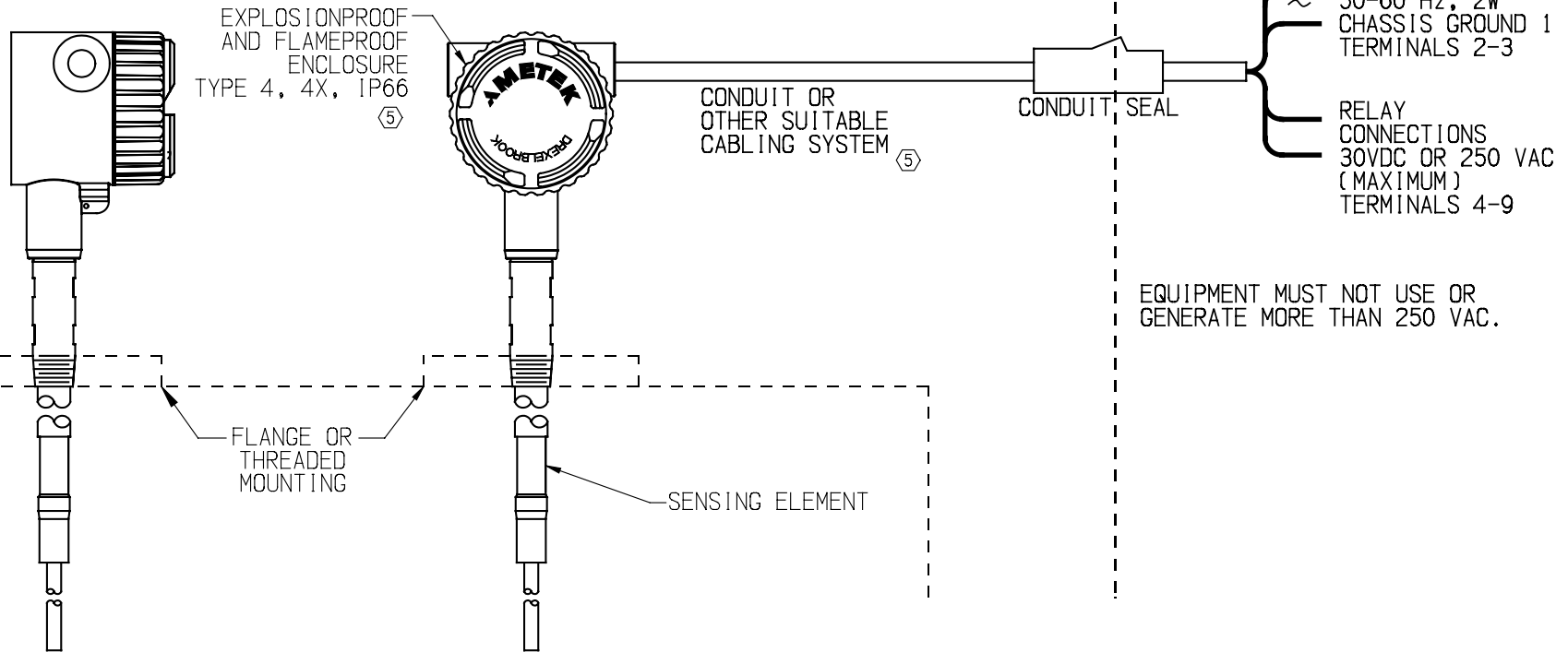
SHT 2 OF 11

**EXPLOSIONPROOF TRANSMITTER ENCLOSURE
WITH INTRINSICALLY SAFE OUTPUT
(INTEGRAL PROBE)**

HAZARDOUS (CLASSIFIED) AREA

NON-HAZARDOUS AREA

DIVISION 2 CLASS I GROUPS A-D; CLASS II GROUPS F,G; CLASS III
SENSING ELEMENTS ARE INTRINSICALLY SAFE FOR ABOVE CLASSIFICATIONS.



DIVISION 1 CLASS I GROUPS A-D; CLASS II GROUPS E-G; CLASS III
MODEL NUMBERING SYSTEM FOR FM APPROVED INTEGRAL SYSTEMS - SEE SHEETS 8 AND 9

- NOTES:
1. INSTALLATION IN CANADA MUST BE IN ACCORDANCE WITH THE CANADIAN ELECTRICAL CODE (C22.1) AS APPLICABLE.
 2. THE INSTALLATION MUST BE IN ACCORDANCE WITH NATIONAL ELECTRICAL CODE® ANSI/NFPA 70.
 3. CABLE FITTINGS SUPPLIED ARE "WEATHER RESISTANT". THEY ARE NOT CERTIFIED AS "EXPLOSIONPROOF" (XP) OR "FLAMEPROOF" (d) UNLESS THEY ARE MARKED. REPLACE WITH APPROPRIATE SEAL FITTINGS AS REQUIRED.
 4. USE SUPPLY WIRING RATED FOR 90°C OR HIGHER WHEN AMBIENT IS ABOVE 50°C.
 5. USE COPPER WIRING ONLY.
 6. ASSOCIATED APPARATUS MUST NOT GENERATE MORE THAN 250 VOLTS.
 7. NO REVISIONS TO THIS DRAWING WITHOUT FM APPROVAL.
 8. UNUSED OPENINGS MUST BE PROPERLY SEALED TO MAINTAIN ENCLOSURE ENVIRONMENTAL AND/OR HAZARDOUS LOCATION RATINGS.

CERTIFIED	by	5	4-10-102	THP	12-15-10	COPYRIGHT 2010
PO #		4	2-09-102	SGA	2-6-09	AMETEK DREXELBROOK
ENG		3	1-06-216	THP	1-29-07	SCALE NONE
USER		2	2-04-216	THP	2-26-04	UNLESS OTHERWISE STATED ALL DIMENSIONS IN INCHES (HW)
		1	7-02-201	SGA	9-6-02	DR. JJS 12-15-10
DE #		ISS	EDO/DSR NO	APP'D	DATE	CK. LEP 12-15-10

AMETEK®
DREXELBROOK

205 KEITH VALLEY RD
HORSHAM, PA 19044-9986

215-674-1234
FAX 215-674-2731

FM/FMc CONTROL DRAWING FOR
"ThePoint" SERIES
DIVISION 2, (INTEGRAL)

420-0004-181-CD

SHT. 3 OF 11
ISS. 5

NO. 420-0004-181-CD

SHT 3 OF 11

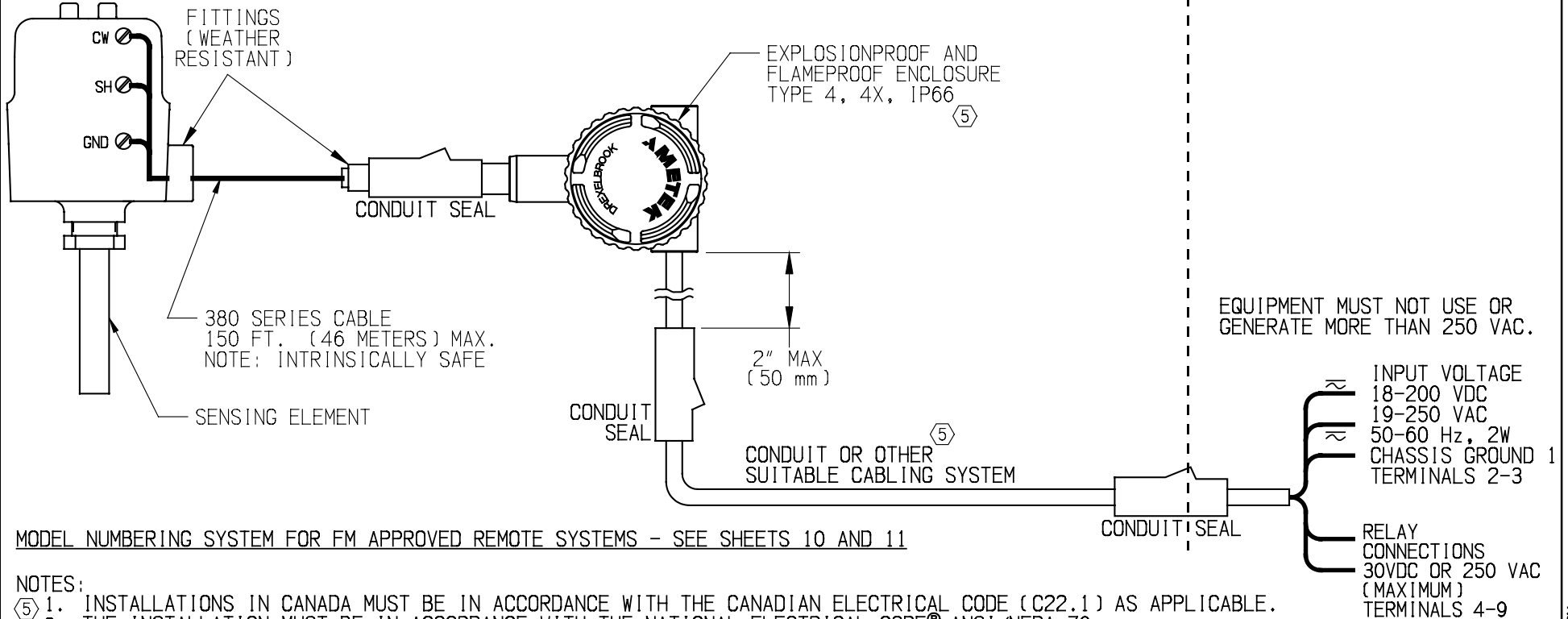
PROBE ENCLOSURE
 285-0001-062
 285-0001-063
 285-0001-064
 285-0001-065
 285-0001-067

**EXPLOSIONPROOF TRANSMITTER ENCLOSURE
 WITH INTRINSICALLY SAFE OUTPUT
 (REMOTE PROBE)**

DIVISION 1 CLASS I GROUP A
 SENSING ELEMENTS ARE INTRINSICALLY SAFE FOR ABOVE CLASSIFICATIONS.

HAZARDOUS (CLASSIFIED) AREA

NON-HAZARDOUS AREA



MODEL NUMBERING SYSTEM FOR FM APPROVED REMOTE SYSTEMS - SEE SHEETS 10 AND 11

NOTES:

- ⑤ 1. INSTALLATIONS IN CANADA MUST BE IN ACCORDANCE WITH THE CANADIAN ELECTRICAL CODE (C22.1) AS APPLICABLE.
2. THE INSTALLATION MUST BE IN ACCORDANCE WITH THE NATIONAL ELECTRICAL CODE® ANSI/NFPA 70.
3. CABLE FITTINGS SUPPLIED ARE "WEATHER RESISTANT". THEY ARE NOT CERTIFIED AS "EXPLOSIONPROOF (XP) OR "FLAMEPROOF" (d) UNLESS THEY ARE MARKED. REPLACE WITH APPROPRIATE SEAL FITTING AS REQUIRED.
4. USE SUPPLY WIRING RATED FOR 90°C OR HIGHER WHEN AMBIENT IS ABOVE 50°C.
5. USE COPPER WIRING ONLY.
6. ASSOCIATED APPARATUS MUST NOT GENERATE MORE THAN 250 VOLTS.
7. NO REVISIONS TO THIS DRAWING WITHOUT FM APPROVAL.
8. UNUSED OPENINGS MUST BE PROPERLY SEALED TO MAINTAIN ENCLOSURE ENVIRONMENTAL AND/OR HAZARDOUS LOCATION RATINGS.

CERTIFIED	by	5	4-10-102	THP	12-15-10	COPYRIGHT 2010
PO #		4	2-09-102	SGA	2-6-09	AMETEK DREXELBROOK
ENG		3	1-06-216	THP	1-29-07	SCALE NONE
USER		2	2-04-216	THP	2-26-04	UNLESS OTHERWISE STATED ALL DIMENSIONS IN INCHES (MM)
		1	7-02-201	SGA	9-6-02	DR. JJS 12-15-10
DE #		ISS	EDO/DSR NO.	APP'D	DATE	CK. LEP 12-15-10



205 KEITH VALLEY RD
 HORSHAM, PA 19044-9986

215-674-1234
 FAX 215-674-2731

FM/FMc CONTROL DRAWING FOR
 "ThePoint" SERIES
 CLASS I, DIVISION 1
 GROUP A (REMOTE)

420-0004-181-CD

SHT. 4 OF 11
 OF 11 ISS. 5

No. 420-0004-181-CD

SHT 4 OF 11

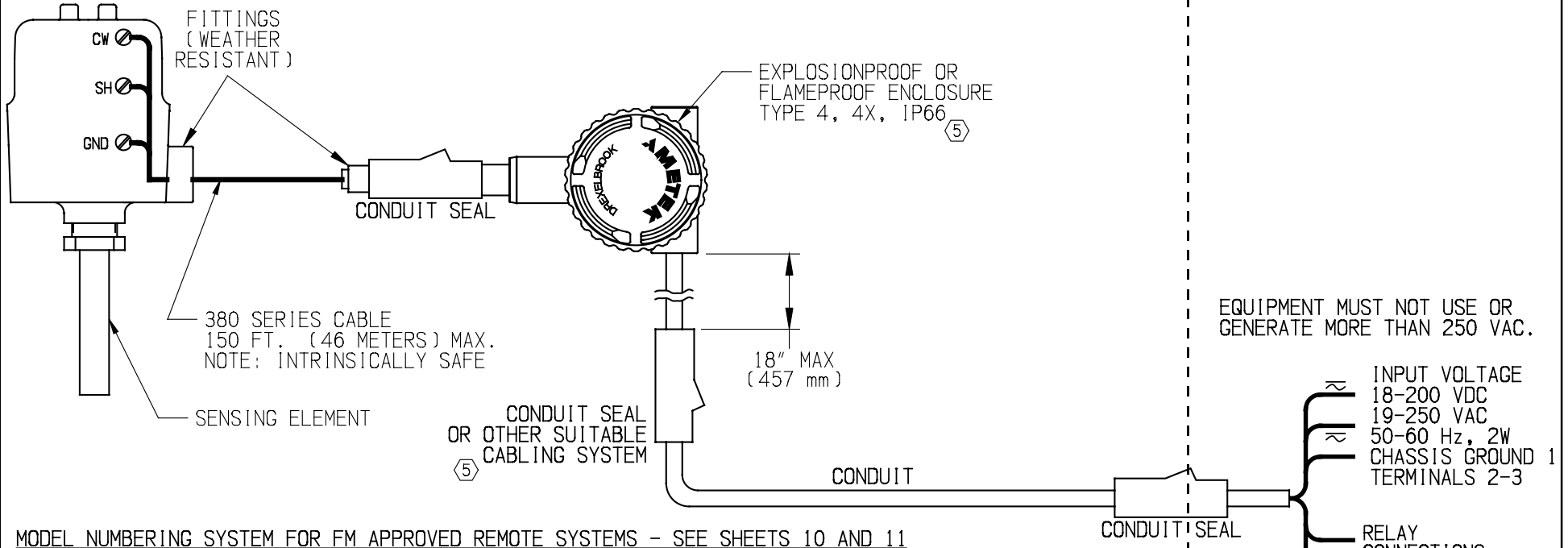
PROBE ENCLOSURE
 285-0001-062
 285-0001-063
 285-0001-064
 285-0001-065
 285-0001-067

**EXPLOSIONPROOF TRANSMITTER ENCLOSURE
 WITH INTRINSICALLY SAFE OUTPUT
 (REMOTE PROBE)**

DIVISION 1 CLASS I GROUP B
 SENSING ELEMENTS ARE INTRINSICALLY SAFE FOR ABOVE CLASSIFICATIONS.

HAZARDOUS (CLASSIFIED) AREA

NON-HAZARDOUS AREA



EQUIPMENT MUST NOT USE OR
 GENERATE MORE THAN 250 VAC.

INPUT VOLTAGE
 18-200 VDC
 19-250 VAC
 50-60 Hz, 2W
 CHASSIS GROUND 1
 TERMINALS 2-3

RELAY
 CONNECTIONS
 30VDC OR 250 VAC
 (MAXIMUM)
 TERMINALS 4-9

MODEL NUMBERING SYSTEM FOR FM APPROVED REMOTE SYSTEMS - SEE SHEETS 10 AND 11

- NOTES:
- INSTALLATIONS IN CANADA MUST BE IN ACCORDANCE WITH THE CANADIAN ELECTRICAL CODE (C22.1) AS APPLICABLE.
 - THE INSTALLATION MUST BE IN ACCORDANCE WITH THE NATIONAL ELECTRICAL CODE® ANSI/NFPA 70.
 - CABLE FITTINGS SUPPLIED ARE "WEATHER RESISTANT". THEY ARE NOT CERTIFIED AS "EXPLOSIONPROOF (XP) OR "FLAMEPROOF" (d) UNLESS THEY ARE MARKED. REPLACE WITH APPROPRIATE SEAL FITTING AS REQUIRED.
 - USE SUPPLY WIRING RATED FOR 90°C OR HIGHER WHEN AMBIENT IS ABOVE 50°C.
 - USE COPPER WIRING ONLY.
 - ASSOCIATED APPARATUS MUST NOT GENERATE MORE THAN 250 VOLTS.
 - NO REVISIONS TO THIS DRAWING WITHOUT FM APPROVAL.
 - UNUSED OPENINGS MUST BE PROPERLY SEALED TO MAINTAIN ENCLOSURE ENVIRONMENTAL AND/OR HAZARDOUS LOCATION RATINGS.

CERTIFIED	by	5	4-10-102	THP	12-15-10	COPYRIGHT 2010
PO #		4	2-09-102	SGA	2-6-09	AMETEK DREXELBROOK
ENG		3	1-06-216	THP	1-29-07	SCALE NONE
USER		2	2-04-216	THP	2-26-04	UNLESS OTHERWISE STATED ALL DIMENSIONS IN INCHES (MM)
		1	7-02-201	SGA	9-6-02	DR. JJS 12-15-10
DE #		ISS.	EDO/DSR NO.	APP'D	DATE	CK. LEP 12-15-10



205 KEITH VALLEY RD
 HORSHAM, PA 19044-9986

215-674-1234
 FAX 215-674-2731

FM/FMc CONTROL DRAWING FOR
 "ThePoint" SERIES
 CLASS I, DIVISION 1
 GROUP B (REMOTE)

420-0004-181-CD SHT. 5 OF 11 TSS. 5

NO. 420-0004-181-CD

SHT. 5 OF 11 TSS. 5

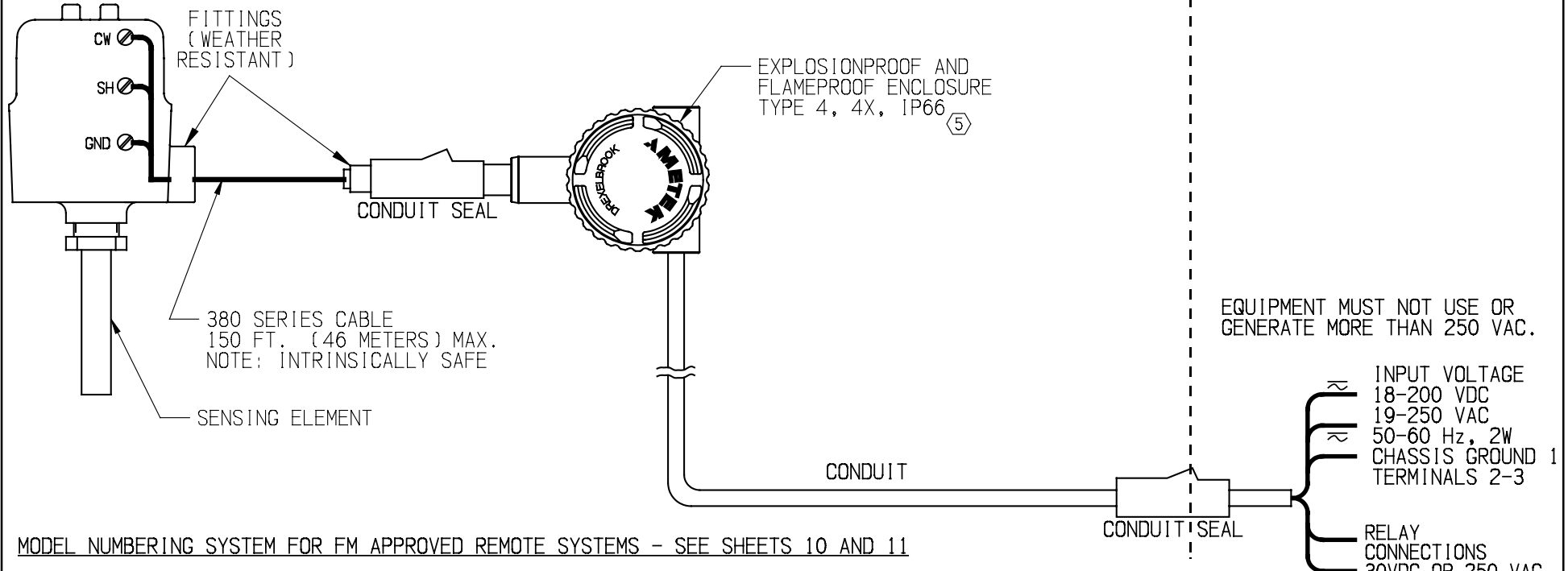
PROBE ENCLOSURE
 285-0001-062
 285-0001-063
 285-0001-064
 285-0001-065
 285-0001-067

**EXPLOSIONPROOF TRANSMITTER ENCLOSURE
 WITH INTRINSICALLY SAFE OUTPUT
 (REMOTE PROBE)**

DIVISION I CLASS I GROUPS C,D; CLASS II GROUPS E-G; CLASS III
 SENSING ELEMENTS ARE INTRINSICALLY SAFE FOR ABOVE CLASSIFICATIONS.

HAZARDOUS (CLASSIFIED) AREA

NON-HAZARDOUS AREA



EQUIPMENT MUST NOT USE OR
 GENERATE MORE THAN 250 VAC.

INPUT VOLTAGE
 18-200 VDC
 19-250 VAC
 50-60 Hz, 2W
 CHASSIS GROUND 1
 TERMINALS 2-3

RELAY
 CONNECTIONS
 30VDC OR 250 VAC
 (MAXIMUM)
 TERMINALS 4-9

MODEL NUMBERING SYSTEM FOR FM APPROVED REMOTE SYSTEMS - SEE SHEETS 10 AND 11

- NOTES:
- INSTALLATIONS IN CANADA MUST BE IN ACCORDANCE WITH THE CANADIAN ELECTRICAL CODE (C22.1) AS APPLICABLE.
 - THE INSTALLATION MUST BE IN ACCORDANCE WITH THE NATIONAL ELECTRICAL CODE® ANSI/NFPA 70.
 - CABLE FITTINGS SUPPLIED ARE "WEATHER RESISTANT". THEY ARE NOT CERTIFIED AS "EXPLOSIONPROOF (XP)" OR "FLAMEPROOF" (d) UNLESS THEY ARE MARKED. REPLACE WITH APPROPRIATE SEAL FITTING AS REQUIRED.
 - USE SUPPLY WIRING RATED FOR 90°C OR HIGHER WHEN AMBIENT IS ABOVE 50°C.
 - USE COPPER WIRING ONLY.
 - ASSOCIATED APPARATUS MUST NOT GENERATE MORE THAN 250 VOLTS.
 - NO REVISIONS TO THIS DRAWING WITHOUT FM APPROVAL.
 - UNUSED OPENINGS MUST BE PROPERLY SEALED TO MAINTAIN ENCLOSURE ENVIRONMENTAL AND/OR HAZARDOUS LOCATION RATINGS.

CERTIFIED	by	5	4-10-102	THP	12-15-10	COPYRIGHT 2010
PO #		4	2-09-102	SGA	2-6-09	AMETEK DREXELBROOK
ENG		3	1-06-216	THP	1-29-07	SCALE NONE
USER		2	2-04-216	THP	2-26-04	UNLESS OTHERWISE STATED ALL DIMENSIONS IN INCHES (MM)
		1	7-02-201	SGA	9-6-02	DR. JJS 12-15-10
DE #		ISS.	EDO/DSR NO.	APP'D	DATE	CK. LEP 12-15-10

AMETEK®
DREXELBROOK

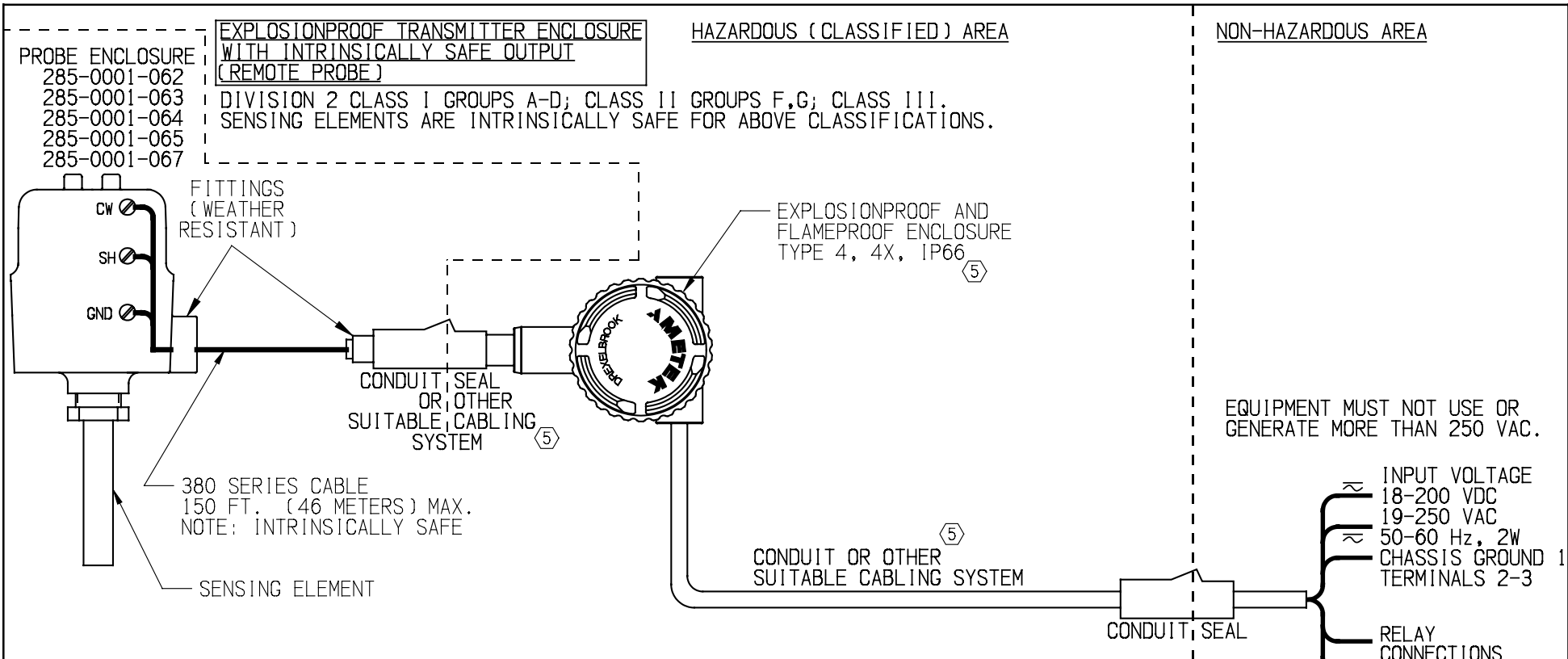
205 KEITH VALLEY RD
 HORSHAM, PA 19044-9986

215-674-1234
 FAX 215-674-2731

FM/FMc CONTROL DRAWING FOR
 "ThePoint" SERIES
 CLASS I, II, III
 DIVISION I, GROUPS C-G
 (REMOTE)

420-0004-181-CD **SHT. 6 OF 11** **ISS. 5**

No. 420-0004-181-CD
SHT 6 OF 11



EXPLOSIONPROOF TRANSMITTER ENCLOSURE WITH INTRINSICALLY SAFE OUTPUT (REMOTE PROBE)

HAZARDOUS (CLASSIFIED) AREA

NON-HAZARDOUS AREA

PROBE ENCLOSURE
285-0001-062
285-0001-063
285-0001-064
285-0001-065
285-0001-067

DIVISION 2 CLASS I GROUPS A-D; CLASS II GROUPS F,G; CLASS III. SENSING ELEMENTS ARE INTRINSICALLY SAFE FOR ABOVE CLASSIFICATIONS.

FITTINGS (WEATHER RESISTANT)
380 SERIES CABLE
150 FT. (46 METERS) MAX.
NOTE: INTRINSICALLY SAFE
SENSING ELEMENT

EXPLOSIONPROOF AND FLAMEPROOF ENCLOSURE TYPE 4, 4X, IP66

CONDUIT, SEAL OR OTHER SUITABLE CABLING SYSTEM

CONDUIT OR OTHER SUITABLE CABLING SYSTEM

CONDUIT, SEAL

EQUIPMENT MUST NOT USE OR GENERATE MORE THAN 250 VAC.

INPUT VOLTAGE
18-200 VDC
19-250 VAC
50-60 Hz, 2W
CHASSIS GROUND 1
TERMINALS 2-3

RELAY CONNECTIONS
30VDC OR 250 VAC (MAXIMUM)
TERMINALS 4-9

DIVISION 1, CLASS 1, GROUPS A-D, CLASS II, GROUPS E-G, CLASS III
MODEL NUMBERING SYSTEM FOR FM APPROVED REMOTE SYSTEMS - SEE SHEETS 10 AND 11

NOTES:

- ⑤ 1. INSTALLATIONS IN CANADA MUST BE IN ACCORDANCE WITH THE CANADIAN ELECTRICAL CODE (C22.1) AS APPLICABLE.
2. THE INSTALLATION MUST BE IN ACCORDANCE WITH THE NATIONAL ELECTRICAL CODE® ANSI/NFPA 70.
3. CABLE FITTINGS SUPPLIED ARE "WEATHER RESISTANT". THEY ARE NOT CERTIFIED AS "EXPLOSIONPROOF" (XP) OR "FLAMEPROOF" (d) UNLESS THEY ARE MARKED. REPLACE WITH APPROPRIATE SEAL FITTINGS AS REQUIRED.
4. USE SUPPLY WIRING RATED FOR 90°C OR HIGHER WHEN AMBIENT IS ABOVE 50°C.
5. USE COPPER WIRING ONLY.
6. ASSOCIATED APPARATUS MUST NOT GENERATE MORE THAN 250 VOLTS.
7. NO REVISIONS TO THIS DRAWING WITHOUT FM APPROVAL.
8. UNUSED OPENINGS MUST BE PROPERLY SEALED TO MAINTAIN ENCLOSURE ENVIRONMENTAL AND/OR HAZARDOUS LOCATION RATINGS.

CERTIFIED	by	5	4-10-102	THP	12-15-10	COPYRIGHT 2010
PO #		4	2-09-102	SGA	2-6-09	AMETEK DREXELBROOK
ENG		3	1-06-216	THP	1-29-07	SCALE NONE
USER		2	2-04-216	THP	2-26-04	UNLESS OTHERWISE STATED ALL DIMENSIONS IN INCHES (MM)
		1	7-02-201	SGA	9-6-02	DR. JJS 12-15-10
DE #		ISS.	EDQ/DSR NO.	APP'D	DATE	CK. LEP 12-15-10

AMETEK®
DREXELBROOK

205 KEITH VALLEY RD
HORSHAM, PA 19044-9986

215-674-1234
FAX 215-674-2731

FM/FMc CONTROL DRAWING FOR
"ThePoint" SERIES
DIVISION 2, (REMOTE)

420-0004-181-CD SHT. 7 OF 11 ISS. 5

No. 420-0004-181-CD SHT 7 OF 11

700-0001-001	700-0002-053	700-0018-124
700-0001-002	700-0002-054	700-0018-126
700-0001-004	700-0002-055	700-0018-134
700-0001-005	700-0002-056	700-0018-144
700-0001-007	700-0002-057	700-0018-222
700-0001-012	700-0002-059	700-0018-226
700-0001-013	700-0002-060	700-0018-234
700-0001-014	700-0002-061	700-0018-242
700-0001-016	700-0002-062	700-0018-243
700-0001-022	700-0002-063	700-0018-245
700-0001-023	700-0002-064	700-0018-246
700-0001-024	700-0002-321	700-0018-262
700-0001-026	700-0002-360	700-0021-001
700-0001-029	700-0003-009	700-0021-002
700-0001-034	700-0004-038	700-0021-003
700-0001-035	700-0004-045	700-0021-007
700-0001-038	700-0004-050	700-0021-008
700-0001-039	700-0005-012	700-0201-005
700-0001-042	700-0005-014	700-0201-008
700-0001-044	700-0005-018	700-0201-009
700-0001-045	700-0005-028	700-0201-010
700-0001-051	700-0005-035	700-0201-015
700-0001-052	700-0005-038	700-0201-016
700-0001-053	700-0005-045	700-0201-018
700-0001-054	700-0005-048	700-0201-025
700-0001-061	700-0005-054	700-0201-026
700-0001-062	700-0005-114	700-0201-035
700-0001-063	700-0005-148	700-0201-036
700-0001-064	700-0005-214	700-0201-105
700-0001-324	700-0005-314	700-0201-108
700-0001-344	700-0005-348	700-0201-109
700-0002-012	700-0005-354	700-0201-118
700-0002-018	700-0008-122	700-0201-135
700-0002-021	700-0008-123	700-0202-002
700-0002-022	700-0008-124	700-0202-004
700-0002-023	700-0008-126	700-0202-019
700-0002-024	700-0008-134	700-0202-023
700-0002-025	700-0008-144	700-0202-024
700-0002-027	700-0008-222	700-0202-033
700-0002-028	700-0008-226	700-0202-036
700-0002-029	700-0008-234	700-0202-043
700-0002-033	700-0008-242	700-0202-102
700-0002-035	700-0008-243	700-0204-038
700-0002-036	700-0008-245	700-0204-045
700-0002-037	700-0008-246	700-0204-048
700-0002-039	700-0008-262	700-0221-002
700-0002-041	700-0009-002	700-1202-001
700-0002-042	700-0009-024	700-1202-018
700-0002-043	700-0011-001	700-1202-021
700-0002-044	700-0011-003	700-1202-022
700-0002-047	700-0011-004	700-1202-024
700-0002-051	700-0011-015	700-1202-028
700-0002-052	700-0018-122	700-1202-041
	700-0018-123	700-1202-042

COPYRIGHT 2010
 AMETEK DREXELBROOK
 SCALE NONE
 UNLESS OTHERWISE STATED
 ALL DIMENSIONS IN INCHES (MM)
 DR. JJS 12-15-10
 CK. LEP 12-15-10

CERTIFIED by _____
 PD # _____
 ENG _____
 USER _____

 DE # _____

5	4-10-102	THP	12-15-10
4	2-09-102	SGA	2-6-09
3	1-06-216	THP	2-26-04
2	2-04-216	THP	2-26-04
ISS.	EDO/DSR NO.	APP' D	DATE

AMETEK®
DREXELBROOK

205 KEITH VALLEY RD
 HORSHAM, PA 19044-9986

215-674-1234
 FAX 215-674-2731

FM/FMc APPROVED
 "ThePoint"
 MODEL NUMBERING SYSTEM

420-0004-181-CD

SHT. 9 OF 11
 OF 11 ISS. 5

No. 420-0004-181-CD

SHT 9 OF 11

COLUMNS 9 AND UP DO NOT AFFECT SAFETY

1	2	3	4	5	6	7	8	9	10	11	12	
P	a	L	b	c	d	e	e	*	*	*	*	
	a											a = MODE N = STD AUTO CAL
												L = STD 2pF FIXED
												T = 10pF AUTO CAL
												V = 10pF FIXED
												H = HI SENSE .5pF AUTO CAL
												P = HI SENSE .5pF FIXED
												G = HI SENSE MANUAL
												M = STD SENSE MANUAL
			b									b = OUTPUT 1 = 1 DPDT RELAY 2 = 1 GOLD DPDT RELAY
				c								c = 3 = STD MTG 7,B = DUAL SEAL MTG
					d							d = CABLE LENGTHS 1-9, A-K SENSING ELEMENTS
						e						e = SENSING ELEMENTS
							e					e = SENSING ELEMENTS
					Z	Z						SEE SHEET 11 FOR ADDITIONAL APPROVED SENSING ELEMENTS
					0	0						700-1202-001
						1						700-1202-012
						2						700-1202-014
						3						700-1202-018
						4						700-1202-041
						6						700-1202-031
						7						700-1202-010
						9						700-1202-033
					1	0						700-0001-018
						1						700-0201-005
						2						700-0201-005...HAST-C
						3						700-0201-036
						4						700-0202-002
						5						700-0202-043
						6						700-0002-360
						7						700-0202-036
						8						700-0001-022
						9						700-0002-023
					2	0						700-0209-022
					3	1						700-0029-001
						2						700-0029-002
						3						700-0029-003
						4						700-0029-004
						5						700-0029-005
					5	0						700-0207-001
						1						700-0207-002
						2						700-0207-003
						3						700-0207-004
						5						700-0207-066
						6	0					700-0204-038
						6	1					700-0204-002
						6	2					700-0204-048

COPYRIGHT 2010
 AMETEK DREXELBROOK
 SCALE NONE
UNLESS OTHERWISE STATED
 ALL DIMENSIONS IN INCHES (MM)
 DR. JJS 12-15-10
 CK. LEP 12-15-10

CERTIFIED by _____
 PO # _____
 ENG _____
 USER _____

 DE # _____

5	4-10-102	THP	12-15-10
4	2-09-102	SGA	2-6-09
3	1-06-216	THP	2-26-04
2	2-04-216	THP	2-26-04
ISS.	EDO/DSR NO.	APP' D	DATE



205 KEITH VALLEY RD
 HORSHAM, PA 19044-9986
 215-674-1234
 FAX 215-674-2731

FM/FMc APPROVED
 ADDITIONAL REMOTE
 SENSING ELEMENTS
 420-0004-181-CD
 SHT. 10 OF 11
 ISS. 5

NO. 420-0004-181-CD
 SHT 10 OF 11

MODEL NUMBERS OF APPROVED REMOTE SENSING ELEMENTS

701-mnop-qrst LEVEL PROBE

- l = FAMILY NO. 0, 4
- m = FAMILY NO. 0 THROUGH 9, BLANK
- n = FAMILY NO. 0 THROUGH 9, BLANK
- o = 0 THROUGH 9, BLANK
- p = 0 THROUGH 9
- q = FAMILY NO. 0 THROUGH 9, BLANK
- r = FAMILY NO. 0 THROUGH 9, BLANK
- s = FAMILY NO. 0 THROUGH 9
- t = 14 CHARACTER EXPANDED NUMBERING SYSTEM, DOES NOT AFFECT SAFETY

COPYRIGHT 2010
 AMETEK DREXELBROOK
 SCALE NONE
UNLESS OTHERWISE STATED
 ALL DIMENSIONS IN INCHES (MM)
 DR. JJS 12-15-10
 CK. LEP 12-15-10

CERTIFIED by _____
 PO # _____
 ENG _____
 USER _____

 DE # _____

NO. 420-0004-181-CD

5	4-10-102	THP	12-15-10
4	2-09-102	SGA	2-6-09
3	1-06-216	THP	2-26-04
2	2-04-216	THP	2-26-04
ISS.	EDO/DSR NO.	APP'D	DATE



205 KEITH VALLEY RD
 HORSHAM, PA 19044-9986

215-674-1234
 FAX 215-674-2731

FM/FMc APPROVED
 ADDITIONAL REMOTE
 SENSING ELEMENTS

420-0004-181-CD

SHT. 11 OF 11
 ISS. 5 OF 11

SHT. 11 OF 11