

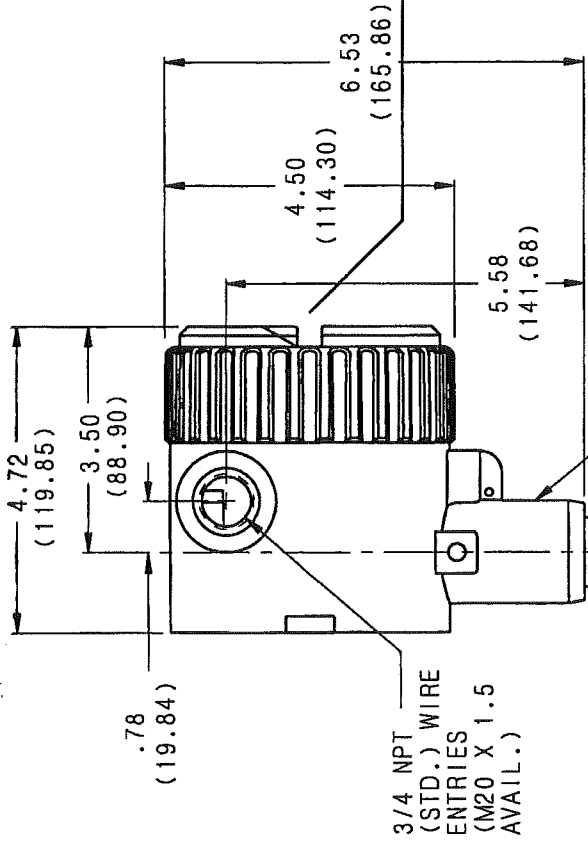
FAIL SAFE JUMPER
UP=HIGH LEVEL
DOWN= LOW LEVEL

TIME DELAY JUMPER
UP= FORWARD ACTING
DOWN= REVERSE ACTING

MANUAL CALIBRATION*
ADJUSTMENT POT

TIME DELAY ADJUSTMENT
0-60 SEC.

* MANUAL CALIBRATION
ADJUSTMENT POT STANDARD
ON UNITS AFTER 9-1-04

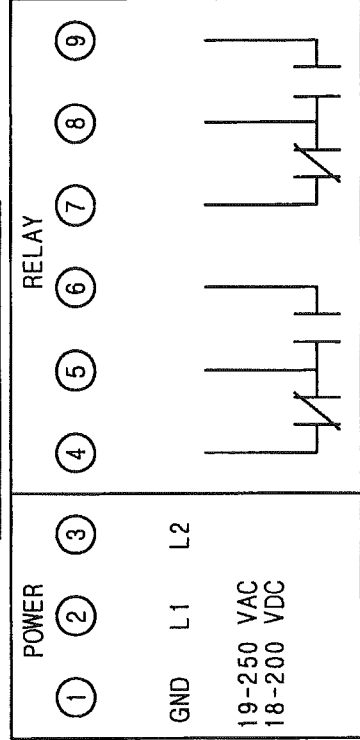


** APPROVED DRAWING**
CHANGES TO THIS DRAWING
REQUIRE AGENCY APPROVAL
PER 440-0015-003

NEMKO
420-0004-201 420-0004-210
420-0004-227

FM CSA KEMA

POWER, RELAY AND
CONFIGURATION DETAIL



AMETEK®
DREXELBROOK

CUSTOMER DRAWING FOR
ThePoint,
LINE POWERED

205 KEITH VALLEY RD
HORSHAM, PA 19044-8988
215-674-1234
FAX 215-674-2731

CERTIFIED	by	ISS. EDO/DSR NO	APP'D	DATE	DR.	JJS 9-9-04	CK.	EDW
PO #		5	9-04-332	9-9-04	COPYRIGHT	2004		
ENG		4	5-03-331	TDR	AMETEK DREXELBROOK			
USER		3	1-03-332	TDH	SCALE	NONE		
		2	8-02-332	TDH	UNLESS OTHERWISE STATED ALL DIMENSIONS IN INCHES (MM)			
DE #		1	8-02-332	NOT RELEASED				

