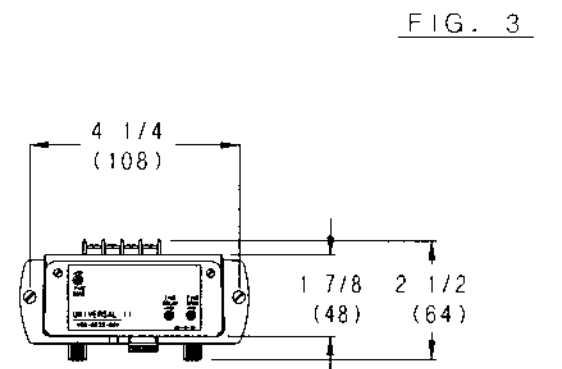


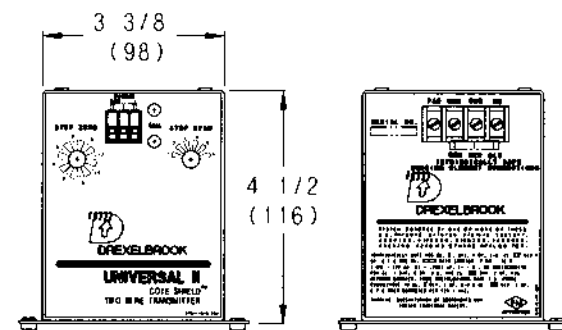
INTEGRAL MOUNTING OF CHASSIS
IN EXPLOSION-PROOF HOUSING

REMOTE MOUNTING OF CHASSIS
IN EXPLOSION-PROOF HOUSING

MAX. PRESSURE RATING: 500 PSI @ 450°F
1000 PSI @ 100°F



TOP VIEW



LOOP SIDE

PROBE SIDE

CHASSIS OUTLINE AND
MOUNTING DIMENSIONS

#10-32 SELF RETAINING
MTG. SCREW (2)

CERTIFIED	by _____				COPYRIGHT 1998 DREXELBROOK ENG CO.
PO # _____					SCALE NONE UNLESS OTHERWISE STATED ALL DIMENSIONS IN INCHES (MM)
ENG _____					DR. AJK
USER _____					CK. WDL
	1	3-98-249	DWK	4/30/98	
DE # _____	ISS.	EDO/DSR NO.	APP'D	DATE	



DREXELBROOK
Engineering Company

205 KEITH VALLEY RD
HORSHAM, PA 19044-9986

215-674-1234
FAX 215-674-2731

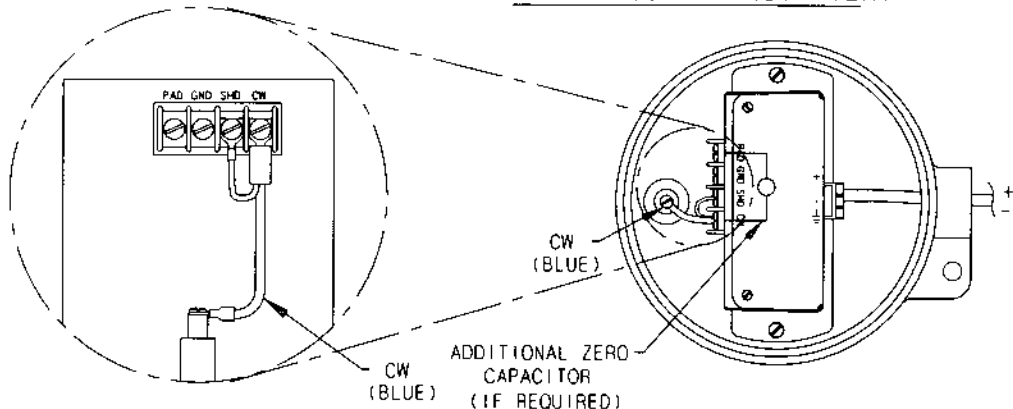
MOUNTING DIMENSIONS
FOR 508-45-X07
TWO WIRE
RF LEVEL TRANSMITTER

418-2-59-CD

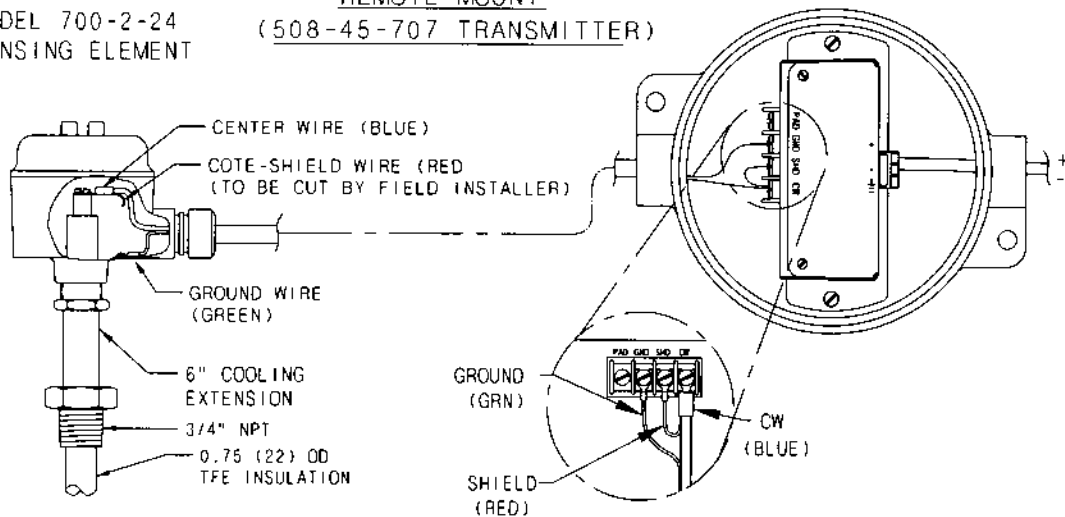
SHT. 1 OF 2
ISS OF 2

INTEGRAL MOUNT - TWO TERMINAL PROBE

INTEGRAL MOUNT
(508-45-907 TRANSMITTER)



REMOTE MOUNT
MODEL 700-2-24 SENSING ELEMENT
(508-45-707 TRANSMITTER)



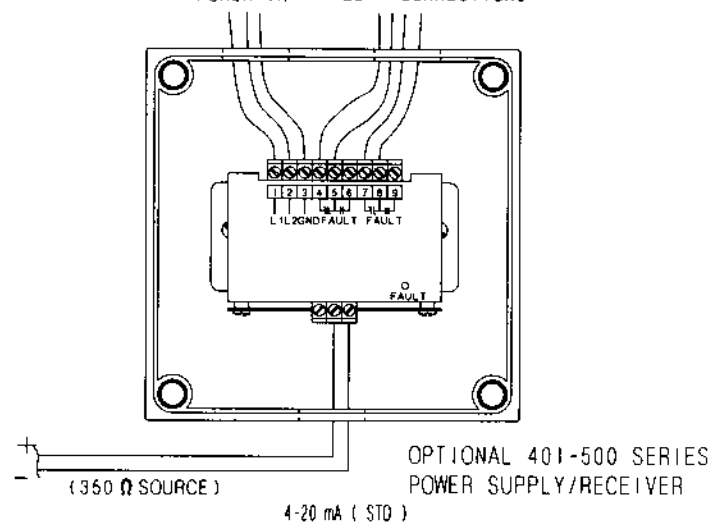
NOTES:

- 1 ALL DEVICES MUST BE WIRED IN SERIES. VOLTAGE DRIVEN DEVICES REQUIRE A SERIES VOLTAGE DROPPING RESISTOR.
- 2 SIGNAL TERMINALS + & - CAN OPERATE WITH MINIMUM OF 13.0 VDC WITH 20mA FLOWING.
- 3 IF THE FIELD WIRING IS TO BE IN HAZARDOUS AREAS. THEN SUITABLE SAFETY BARRIERS ARE REQUIRED BETWEEN THE POWER SUPPLY AND THE FIELD TO PROVIDE FOR INTRINSICALLY SAFE FIELD WIRING.

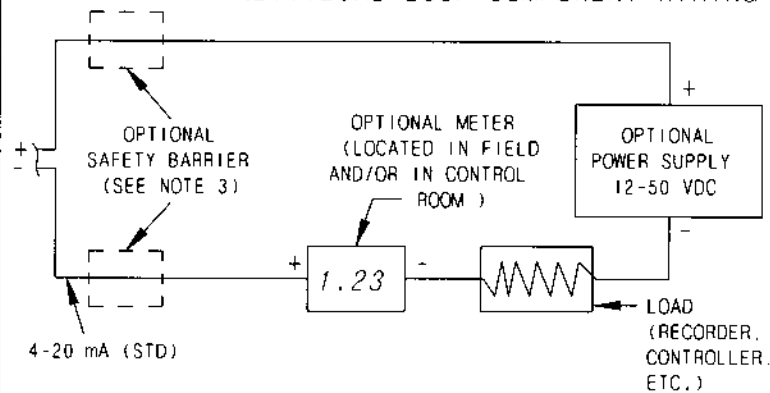
HAZARDOUS AREA

NONHAZARDOUS AREA

POWER IN RELAY CONNECTIONS



INDIVIDUAL LOOP COMPONENT WIRING



CERTIFIED	by					COPYRIGHT 1998
PO #						DREXELBROOK ENG CO.
ENG						SCALE NONE
USER						UNLESS OTHERWISE STATED
						ALL DIMENSIONS IN INCHES (MM)
		1	3-98-249	DWK	4/30/98	DR. AJK
DE #		ISS.	EDO/DSR NO.	APP'D	DATE	CK. <i>WLL</i>

205 KEITH VALLEY RD
HORSHAM, PA 19044-9986



DREXELBROOK
Engineering Company

215-674-1234
FAX 215-674-2731

WIRING DIAGRAM
FOR 508-45-X07
TWO WIRE
RF LEVEL TRANSMITTER

418-2-59-CD

SHT. 2 OF 2
ISS 1