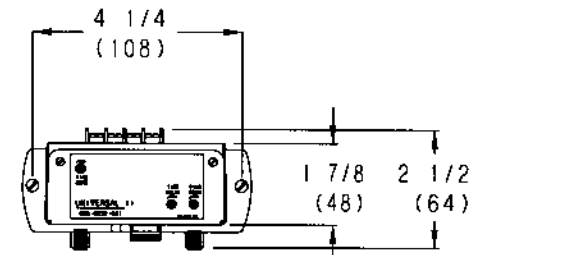
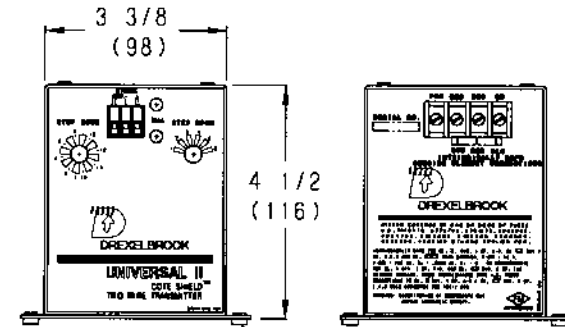


FIG. 3



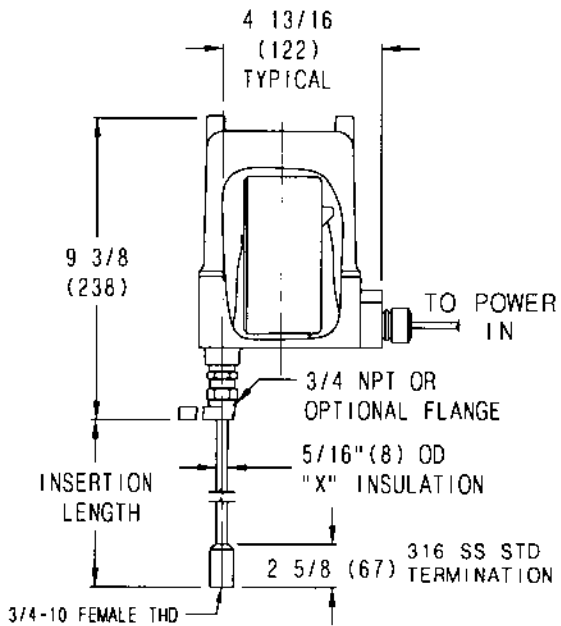
TOP VIEW



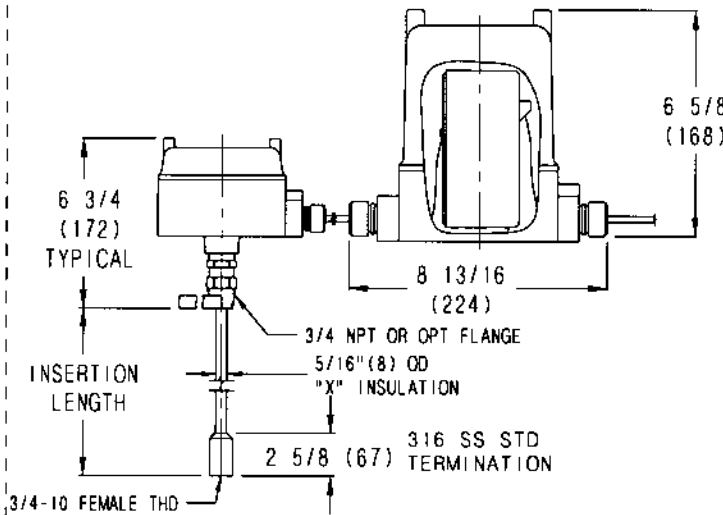
LOOP SIDE

PROBE SIDE

CHASSIS OUTLINE AND MOUNTING DIMENSIONS

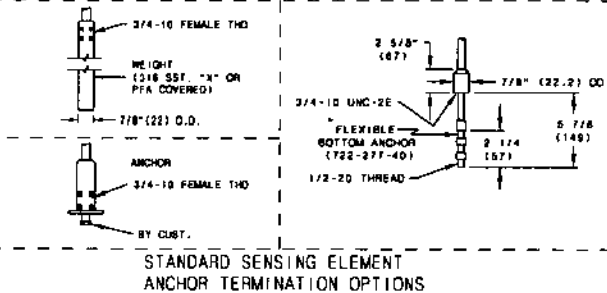


INTEGRAL MOUNTING OF CHASSIS IN EXPLOSION-PROOF HOUSING



REMOTE MOUNTING OF CHASSIS IN EXPLOSION-PROOF HOUSING

MAX. PRESSURE RATING: 500 PSI @ 250°F
1000 PSI @ 100°F



STANDARD SENSING ELEMENT ANCHOR TERMINATION OPTIONS

CERTIFIED	by _____								
PD #	_____								
ENG	_____								
USER	_____								
DE #	_____	1	3-98-249	DWK	4/30/98				
		ISS	EDO/DSR NO	APP'D	DATE	DR.	AJK		
						CK.	WLL		

COPYRIGHT 1998
DREXELBROOK ENG CO.
SCALE NONE
UNLESS OTHERWISE STATED
ALL DIMENSIONS IN INCHES (MM)
DR. AJK
CK. WLL



DREXELBROOK
Engineering Company

205 KEITH VALLEY RD
HORSHAM, PA 19044-8986

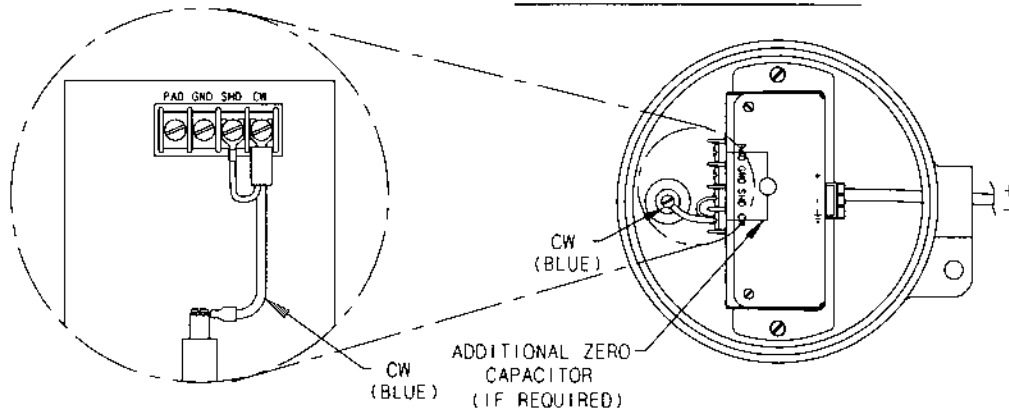
215-674-1234
FAX 215-674-2731

MOUNTING DIMENSIONS FOR 508-45-X13 TWO WIRE RF LEVEL TRANSMITTER

418-2-61-CD SHT. 1 OF 2

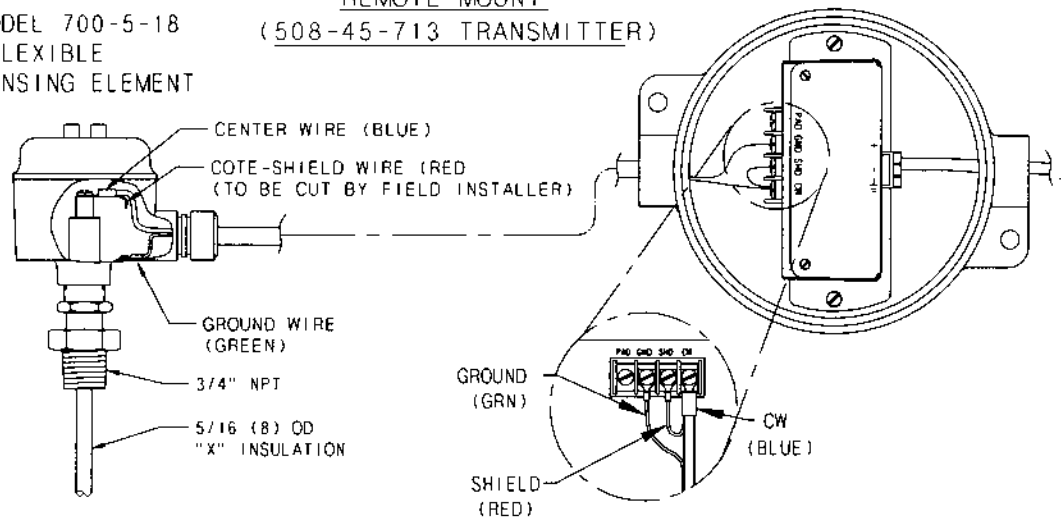
INTEGRAL MOUNT - TWO TERMINAL PROBE

INTEGRAL MOUNT
(508-45-913 TRANSMITTER)



MODEL 700-5-18
FLEXIBLE
SENSING ELEMENT

REMOTE MOUNT
(508-45-713 TRANSMITTER)



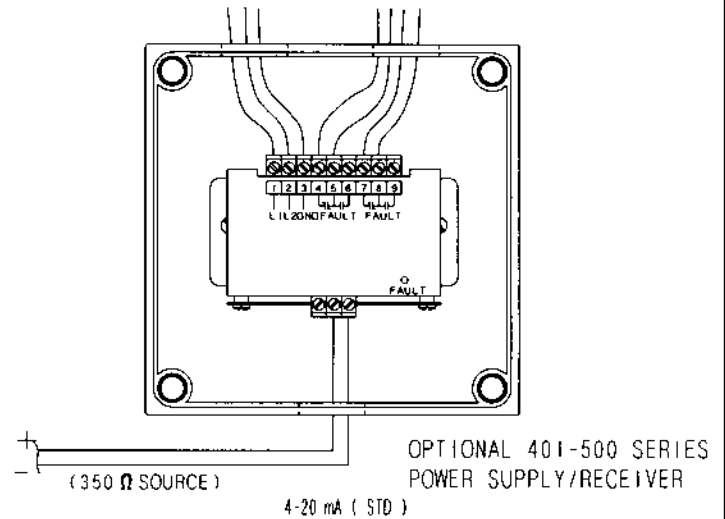
NOTES:

- 1 ALL DEVICES MUST BE WIRED IN SERIES.
VOLTAGE DRIVEN DEVICES REQUIRE A SERIES VOLTAGE DROPPING RESISTOR.
- 2 SIGNAL TERMINALS + & - CAN OPERATE WITH MINIMUM OF 13.0 VDC WITH 20mA FLOWING.
- 3 IF THE FIELD WIRING IS TO BE IN HAZARDOUS AREAS. THEN SUITABLE SAFETY BARRIERS ARE REQUIRED BETWEEN THE POWER SUPPLY AND THE FIELD TO PROVIDE FOR INTRINSICALLY SAFE FIELD WIRING.

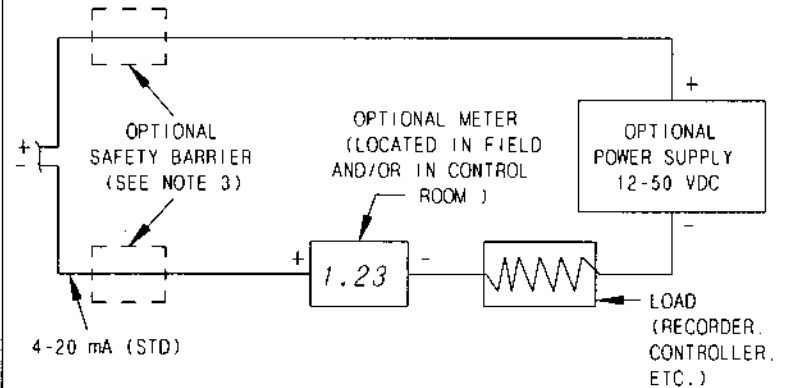
HAZARDOUS
AREA

NONHAZARDOUS
AREA

POWER IN RELAY CONNECTIONS



INDIVIDUAL LOOP COMPONENT WIRING



CERTIFIED	by					COPYRIGHT 1998
PO #						DREXELBROOK ENG CO.
ENG						SCALE NONE
USER						UNLESS OTHERWISE STATED
						ALL DIMENSIONS IN INCHES (MM)
		1	3-98-249	DJK	4/30/98	DR. AJK
DE #		ISS.	EDO/DSR NO.	APP'D	DATE	CK. WLL



DREXELBROOK
Engineering Company

205 KEITH VALLEY RD
HORSHAM, PA 19044-9986

215-674-1234
FAX 215-674-2731

WIRING DIAGRAM
FOR 508-45-X13
TWO WIRE
RF LEVEL TRANSMITTER

418-2-61-CD

SHT. 2 OF 2
ISS 1