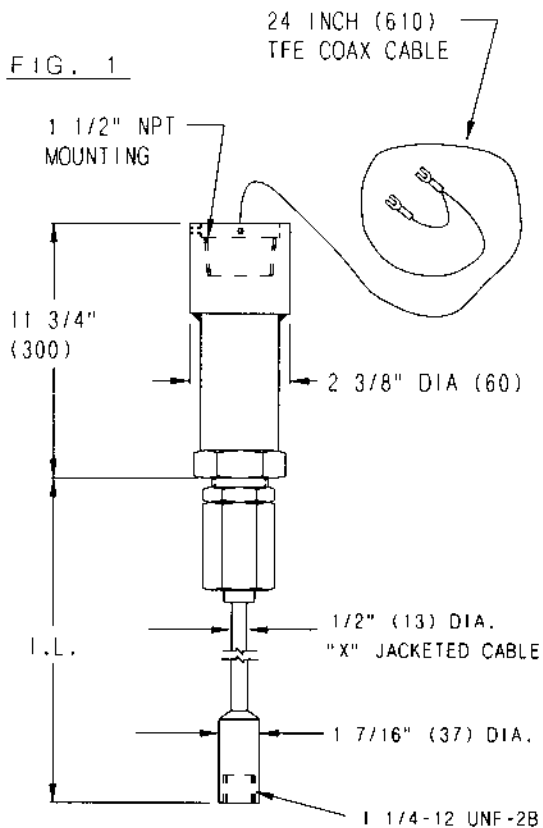
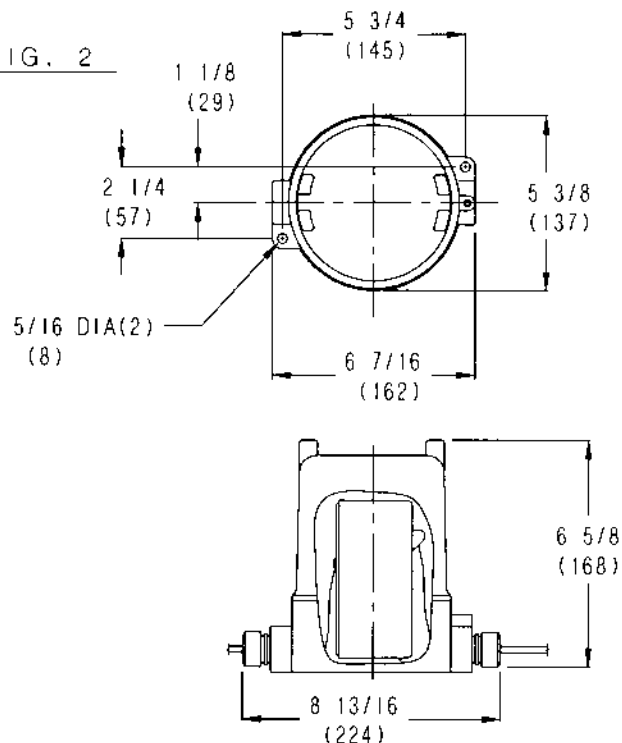


FIG. 1



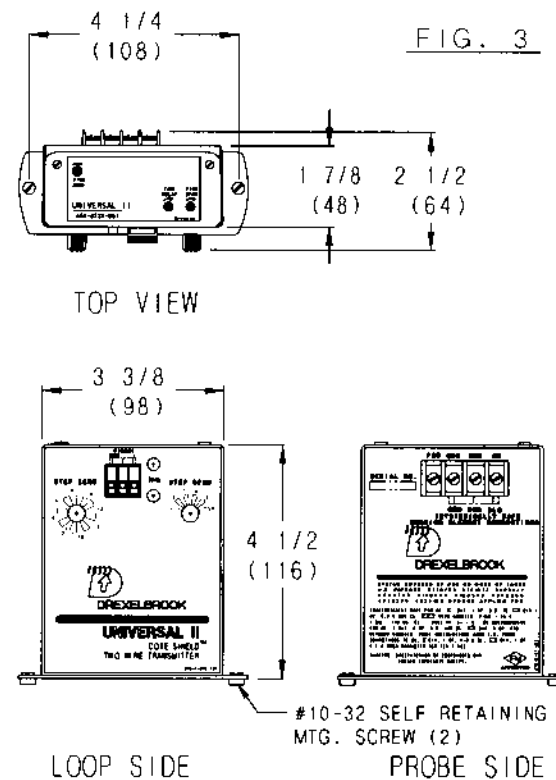
SENSING ELEMENT DETAIL

FIG. 2

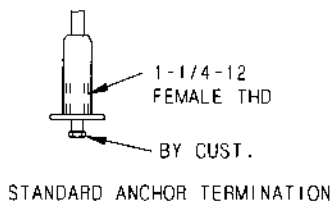


REMOTE MOUNTING OF CHASSIS IN EXPLOSION-PROOF HOUSING

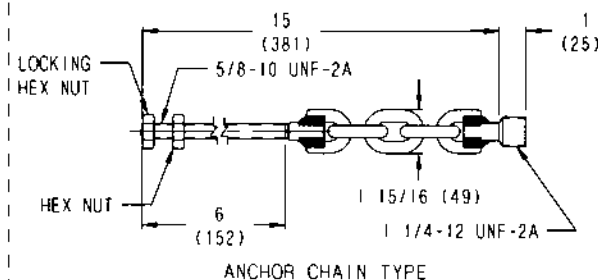
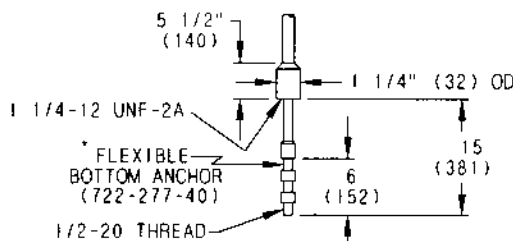
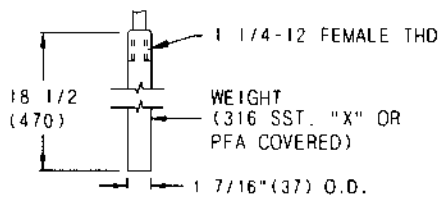
FIG. 3



CHASSIS OUTLINE AND MOUNTING DIMENSIONS



MAX. PRESSURE RATING. 500 PSI @ 250°F
1000 PSI @ 100°F



CERTIFIED	by				
PO #					
ENG					
USER					
DE #	1	3-98-249	DWK	4/30/98	
ISS.	EDO/DSR NO	APP'D	DATE		

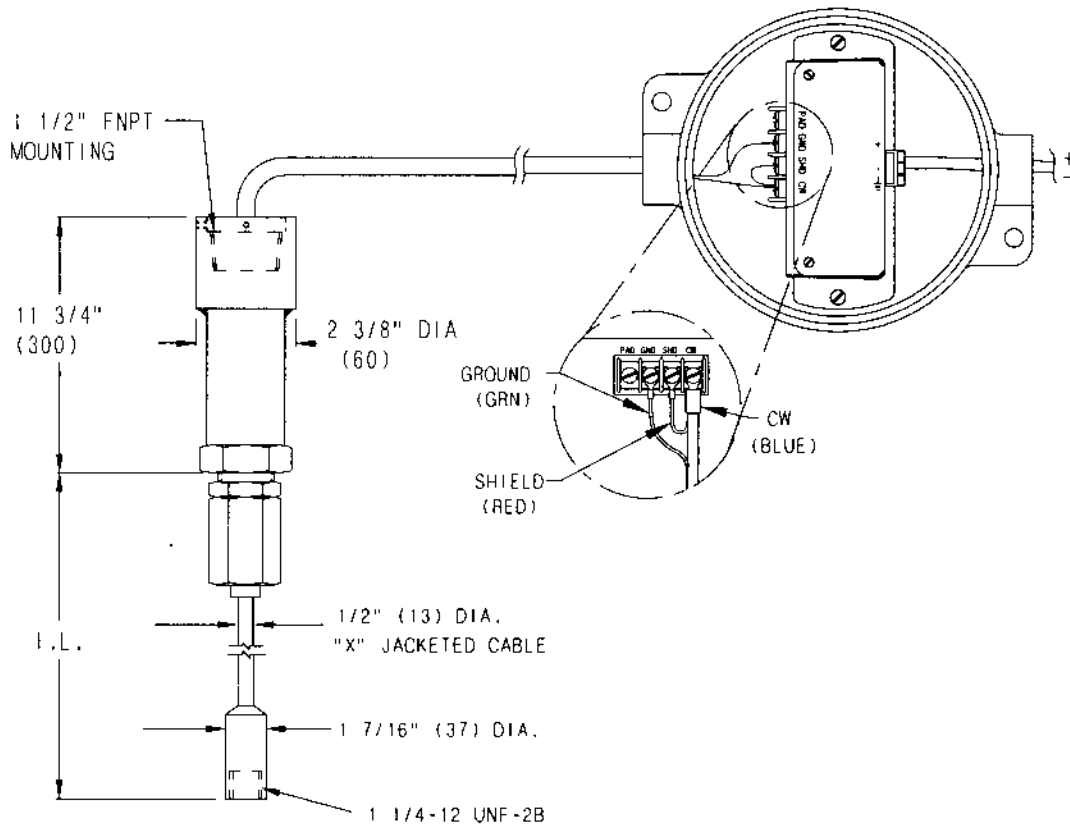
COPYRIGHT	1998
DREXELBROOK ENG CO.	
SCALE	NONE
UNLESS OTHERWISE STATED	
ALL DIMENSIONS IN INCHES (MM)	
DR.	AJK
CK.	DWK


DREXELBROOK
 Engineering Company
 205 KEITH VALLEY RD
 HORSHAM, PA 19044-9986
 215-674-1234
 FAX 215-674-2731

MOUNTING DIMENSIONS FOR 508-45-724 TWO WIRE RF LEVEL TRANSMITTER	
418-2-64-CD	
SHT. 1 OF 2	ISS. OF 2

MODEL 700-5-29 REAR MOUNTED
FLEXIBLE SENSING ELEMENT

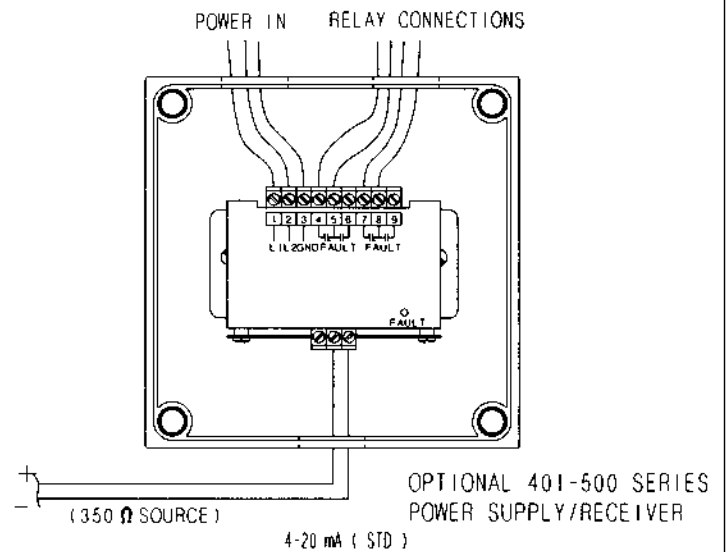
REMOTE MOUNT
(509-45-724 TRANSMITTER)



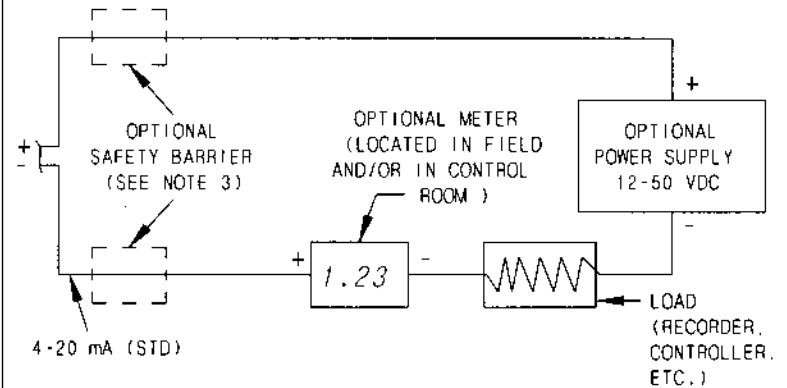
NOTES

- ALL DEVICES MUST BE WIRED IN SERIES. VOLTAGE DRIVEN DEVICES REQUIRE A SERIES VOLTAGE DROPPING RESISTOR.
- SIGNAL TERMINALS + & - CAN OPERATE WITH MINIMUM OF 13.0 VDC WITH 20mA FLOWING.
- IF THE FIELD WIRING IS TO BE IN HAZARDOUS AREAS. THEN SUITABLE SAFETY BARRIERS ARE REQUIRED BETWEEN THE POWER SUPPLY AND THE FIELD TO PROVIDE FOR INTRINSICALLY SAFE FIELD WIRING.

HAZARDOUS AREA NONHAZARDOUS AREA



INDIVIDUAL LOOP COMPONENT WIRING



CERTIFIED	by _____				COPYRIGHT 1998
PO # _____					DREXELBROOK ENG CO.
ENG _____					SCALE NONE
USER _____					UNLESS OTHERWISE STATED
					ALL DIMENSIONS IN INCHES (MM)
	1	3-98-249	DWK 4/30/98	DR. AJK	
DE # _____	ISS.	EDO/DSR NO.	APP'D	DATE	CK. DWL



DREXELBROOK
Engineering Company

205 KEITH VALLEY RD
HORSHAM, PA 19044-9986

215-674-1234
FAX 215-674-2731

WIRING DIAGRAM
FOR 508-45-724
TWO WIRE
RF LEVEL TRANSMITTER

418-2-64-CD

SHT. 2 OF 2
ISS. 1
OF 2