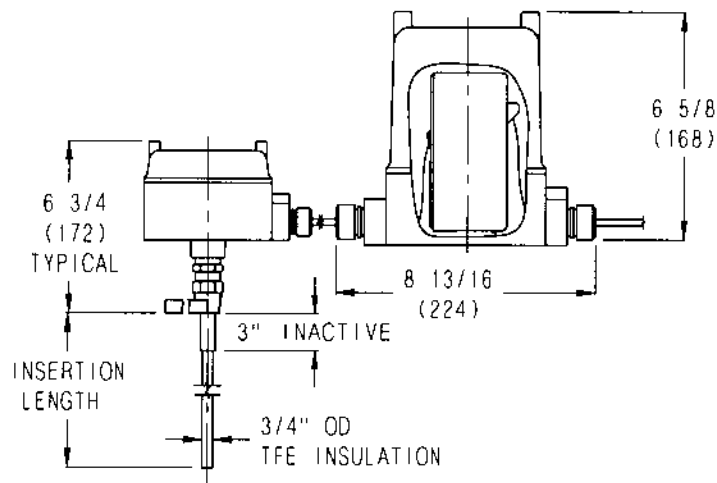
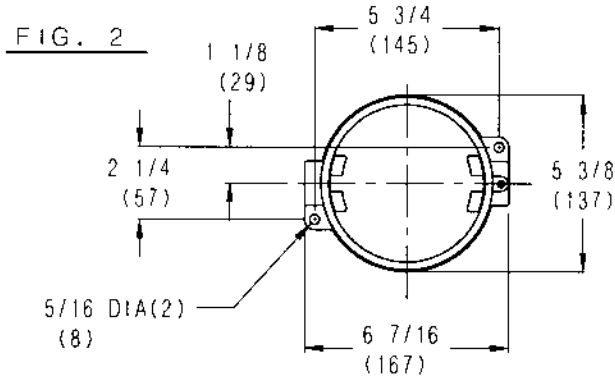
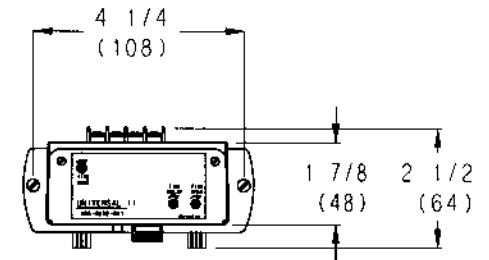


INTEGRAL MOUNTING OF CHASSIS
IN EXPLOSION-PROOF HOUSING

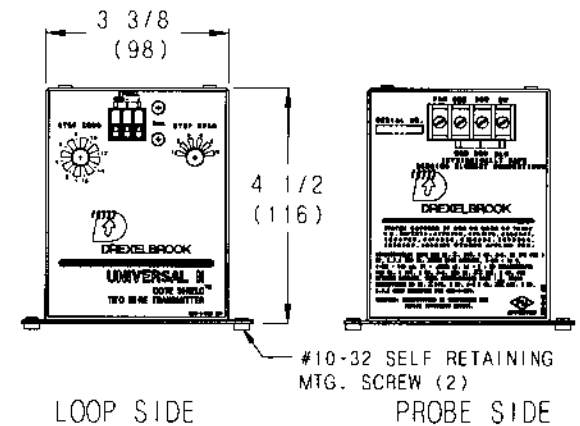


REMOTE MOUNTING OF CHASSIS
IN EXPLOSION-PROOF HOUSING

FIG. 3



TOP VIEW



LOOP SIDE

PROBE SIDE

CHASSIS OUTLINE AND
MOUNTING DIMENSIONS

MAX. PRESSURE RATING 500 PSI @ 300°F
1000 PSI @ 100°F

CERTIFIED	by _____			COPYRIGHT 1998
PO # _____				DREXELBROOK ENG CO.
ENG _____				SCALE NONE
USER _____				UNLESS OTHERWISE STATED ALL DIMENSIONS IN INCHES (MM)
_____	1	3-98-249	DWK 4/30/98	DR. AJK
DE # _____	ISS	EDO/DSR NO	APP'D	DATE
				CK. DWK



DREXELBROOK
Engineering Company

205 KEITH VALLEY RD
HORSHAM, PA 19044-0986

215-674-1234
FAX 215-674-2731

MOUNTING DIMENSIONS
FOR 508-45-X26
TWO WIRE
RF LEVEL TRANSMITTER

418-2-66-CD SHT. 1 OF 2

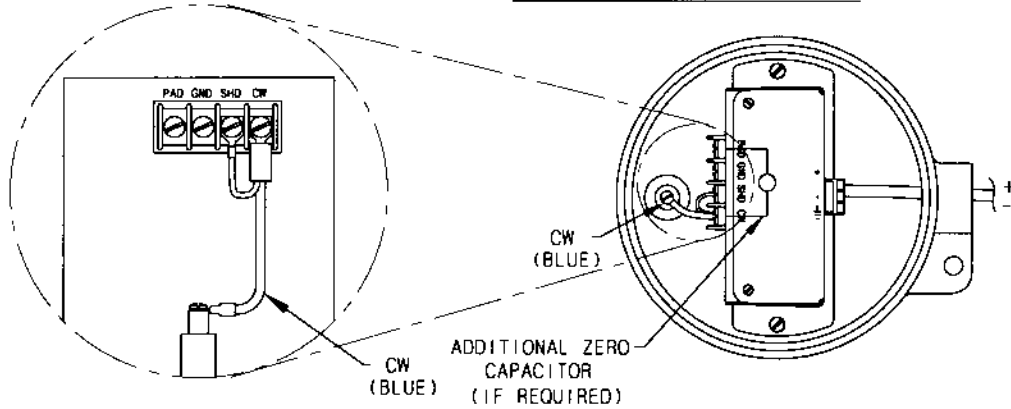
440-115-184 (2)

NO. 418-2-66-CD

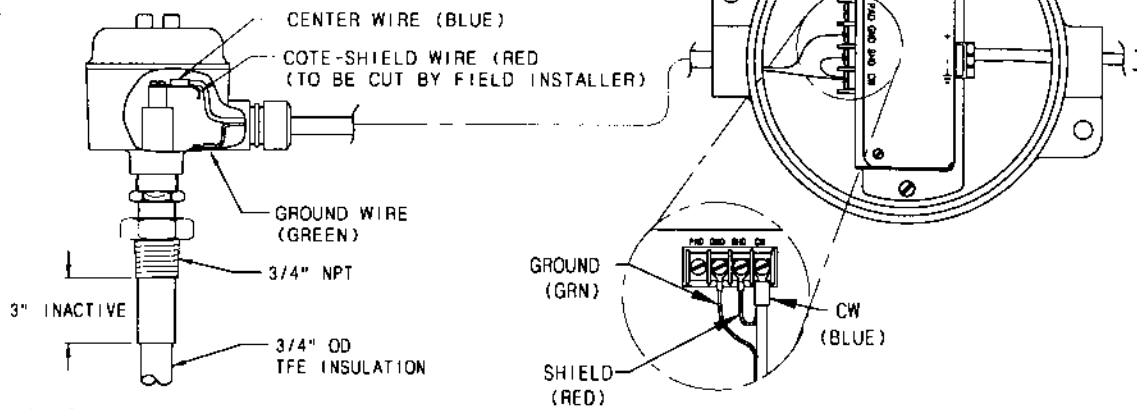
SHT. 1 OF 2

INTEGRAL MOUNT - TWO TERMINAL PROBE

INTEGRAL MOUNT
(508-45-926 TRANSMITTER)



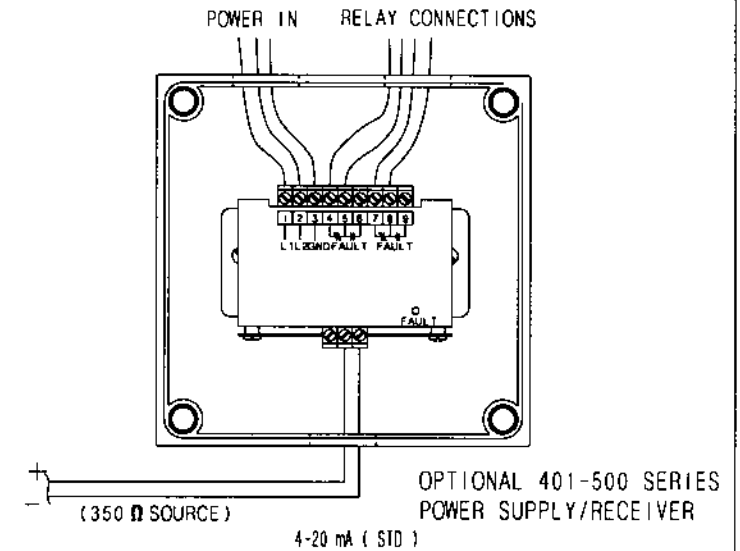
MODEL 700-2-28 SENSING ELEMENT
REMOTE MOUNT
(508-45-726 TRANSMITTER)



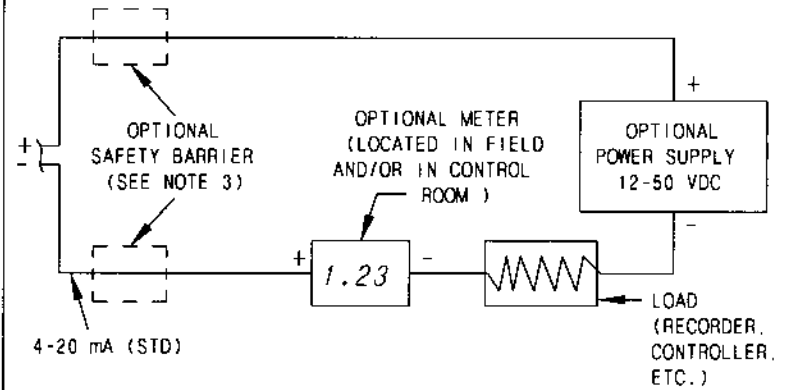
NOTES:

- ALL DEVICES MUST BE WIRED IN SERIES. VOLTAGE DRIVEN DEVICES REQUIRE A SERIES VOLTAGE DROPPING RESISTOR.
- SIGNAL TERMINALS + & - CAN OPERATE WITH MINIMUM OF 13.0 VDC WITH 20mA FLOWING.
- IF THE FIELD WIRING IS TO BE IN HAZARDOUS AREAS, THEN SUITABLE SAFETY BARRIERS ARE REQUIRED BETWEEN THE POWER SUPPLY AND THE FIELD TO PROVIDE FOR INTRINSICALLY SAFE FIELD WIRING.

HAZARDOUS AREA



INDIVIDUAL LOOP COMPONENT WIRING



NONHAZARDOUS AREA

CERTIFIED	by _____				COPYRIGHT 1998
PO # _____					DREXELBROOK ENG CO.
ENG _____					SCALE NONE
USER _____					UNLESS OTHERWISE STATED
					ALL DIMENSIONS IN INCHES (MM)
	1	3-98-249	DWK	4/30/98	DR. AJK
DE # _____	ISS.	EDO/DSR NO.	APP'D	DATE	CK. DWK

DREXELBROOK
Engineering Company

205 KEITH VALLEY RD
MORSHAM, PA 19044-9986

215-674-1234
FAX 215-674-2731

WIRING DIAGRAM
FOR 508-45-X26
TWO WIRE
RF LEVEL TRANSMITTER

418-2-66-CD

SHT. 2 OF 2
ISS 1