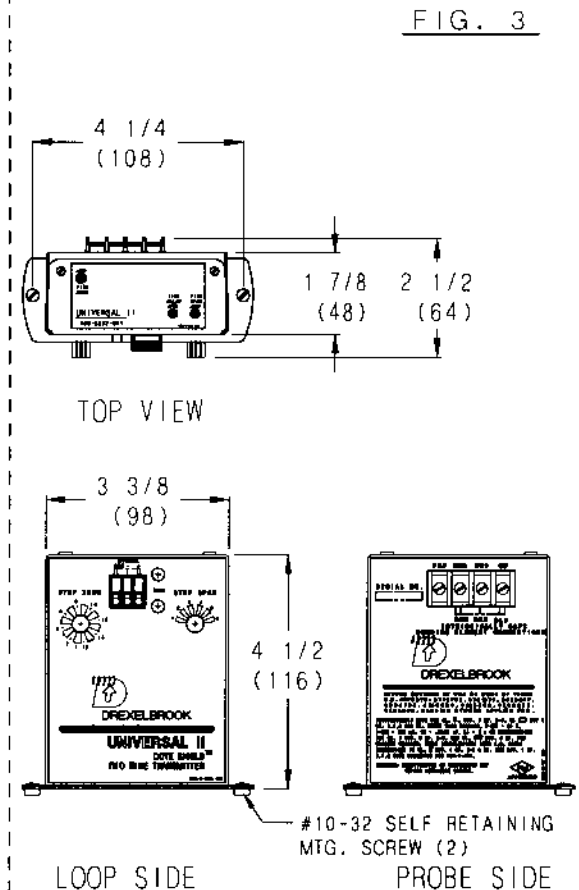


REMOTE MOUNTING OF CHASSIS
IN EXPLOSION-PROOF HOUSING



CHASSIS OUTLINE AND
MOUNTING DIMENSIONS

MAX. PRESSURE RATING: 200 PSI @ 200°F

CERTIFIED	by _____					COPYRIGHT 1998
PO # _____						DREXELBROOK ENG CO.
ENG _____						SCALE NONE
USER _____						UNLESS OTHERWISE STATED ALL DIMENSIONS IN INCHES (MM)
		1	3-98-249	DWK	4/30/98	DR. AJK
DE # _____	ISS	EDO/DSR NO.	APP'D	DATE	CK.	WVL



DREXELBROOK
Engineering Company

205 KEITH VALLEY RD
HORSHAM, PA 19044-9986

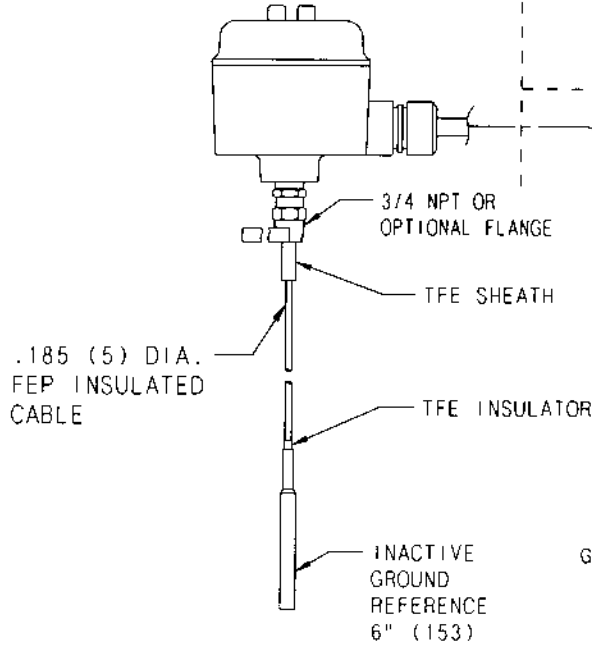
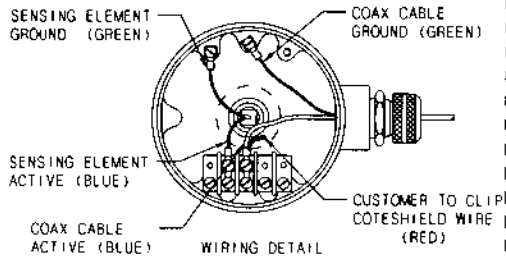
215-874-1234
FAX 215-874-2731

MOUNTING DIMENSIONS
FOR 508-45-X85
TWO WIRE
RF LEVEL TRANSMITTER

418-2-70-CD

SHT. 1 OF 2
ISS. OF 2

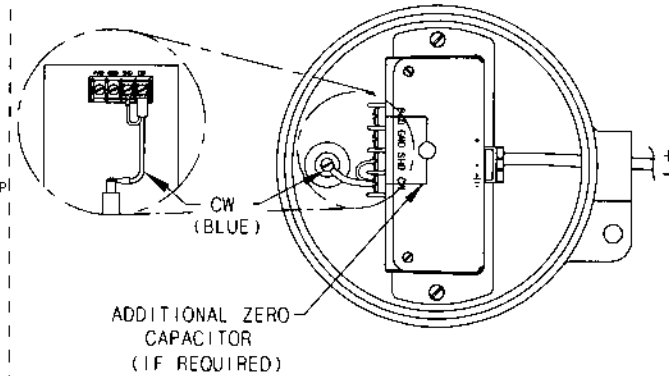
MODEL 700-5-85 FLEXIBLE SENSING ELEMENT WITH INTEGRAL GROUND



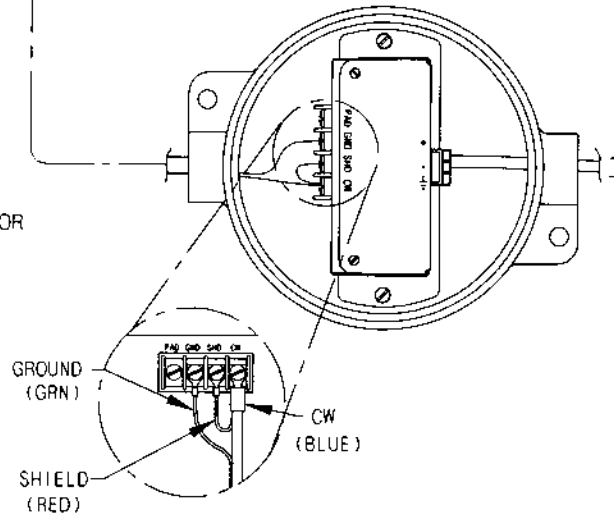
NOTES:

- 1 ALL DEVICES MUST BE WIRED IN SERIES. VOLTAGE DRIVEN DEVICES REQUIRE A SERIES VOLTAGE DROPPING RESISTOR.
- 2 SIGNAL TERMINALS + & - CAN OPERATE WITH MINIMUM OF 13.0 VDC WITH 20mA FLOWING.
- 3 IF THE FIELD WIRING IS TO BE IN HAZARDOUS AREAS, THEN SUITABLE SAFETY BARRIERS ARE REQUIRED BETWEEN THE POWER SUPPLY AND THE FIELD TO PROVIDE FOR INTRINSICALLY SAFE FIELD WIRING.

INTEGRAL MOUNT
(508-45-985 TRANSMITTER)



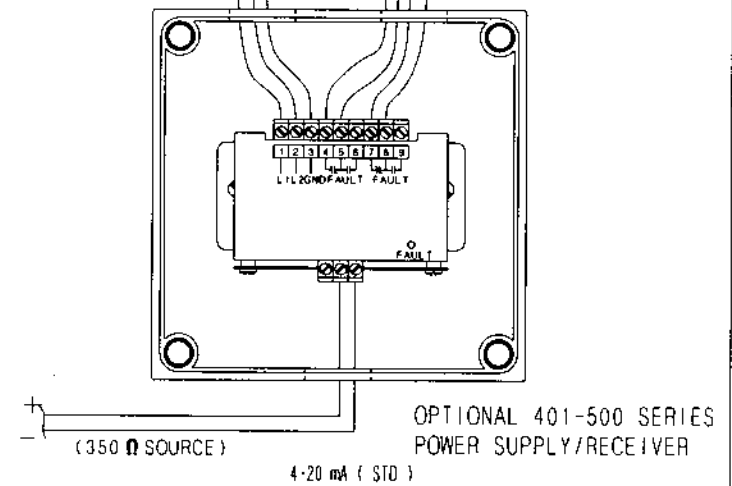
REMOTE MOUNT
(508-45-785 TRANSMITTER)



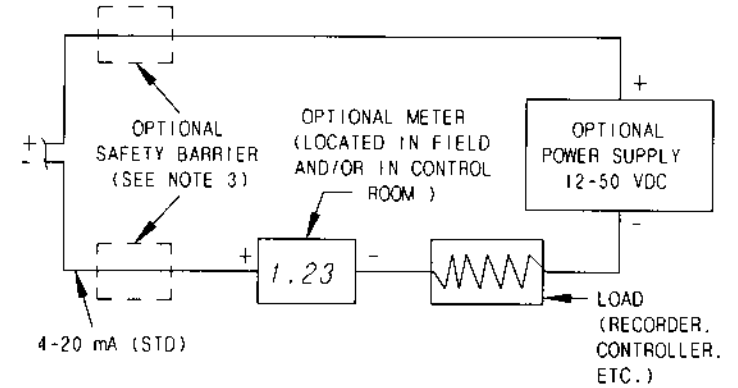
HAZARDOUS AREA

NONHAZARDOUS AREA

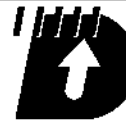
POWER IN RELAY CONNECTIONS



INDIVIDUAL LOOP COMPONENT WIRING



CERTIFIED	by					COPYRIGHT 1998
PO #						DREXELBROOK ENG CO.
ENG						SCALE NONE
USER						UNLESS OTHERWISE STATED
						ALL DIMENSIONS IN INCHES (MM)
		1	3-98-249	DWK	4/30/98	DR. AJK
DE #		ISS.	EDO/DSR NO.	APP'D	DATE	CK. <i>WHL</i>



DREXELBROOK
Engineering Company

205 KEITH VALLEY RD
HORSHAM, PA 19044-9886

215-674-1234
FAX 215-674-2731

WIRING DIAGRAM
FOR 508-45-X85
TWO WIRE
RF LEVEL TRANSMITTER

418-2-70-CD

SHT 2 OF 2
OF 2 1