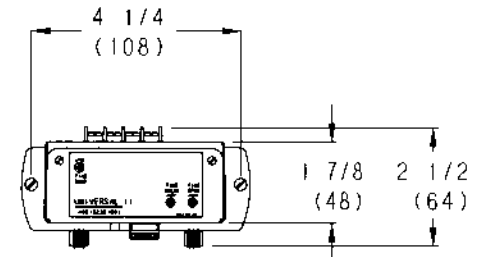
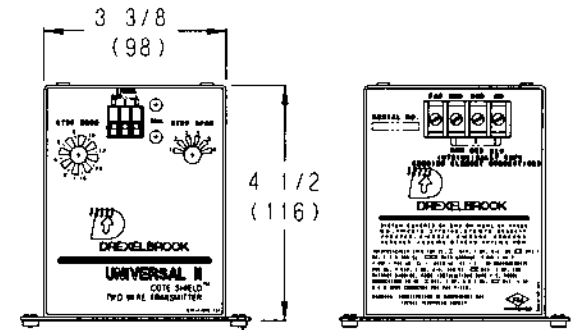


FIG. 3



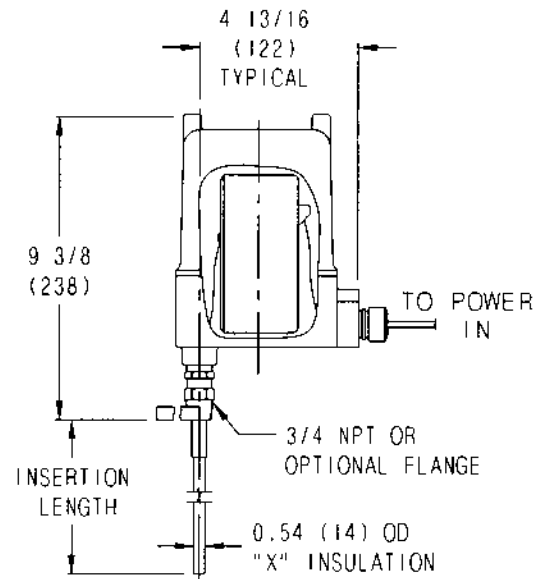
TOP VIEW



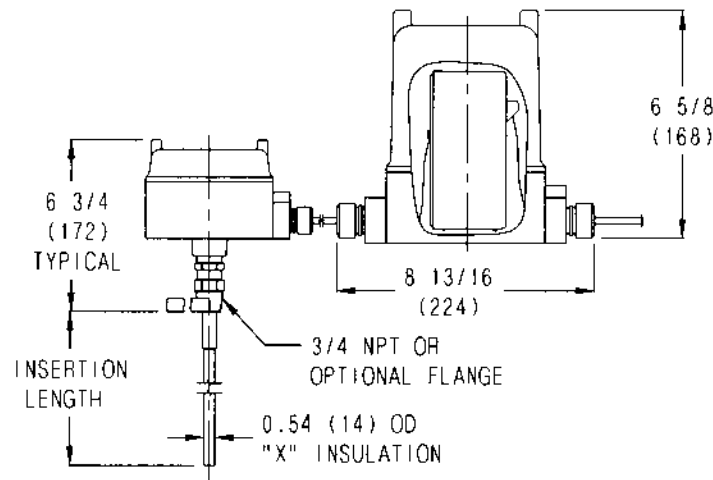
LOOP SIDE

PROBE SIDE

#10-32 SELF RETAINING MTG. SCREW (2)



INTEGRAL MOUNTING OF CHASSIS IN EXPLOSION-PROOF HOUSING



REMOTE MOUNTING OF CHASSIS IN EXPLOSION-PROOF HOUSING

CHASSIS OUTLINE AND MOUNTING DIMENSIONS

MAX. PRESSURE RATING: 500 PSI @ 250°F
1000 PSI @ 100°F

CERTIFIED	by				COPYRIGHT 1998
PO #					DREXELBROOK ENG CO.
ENG					SCALE NONE
USER					UNLESS OTHERWISE STATED
					ALL DIMENSIONS IN INCHES (MM)
		1	3-98-249	Dwk 4/30/98	DR. AJK
DE #		ISS.	EDO/DSR NO	APP'D	DATE
					CK. [Signature]



DREXELBROOK
Engineering Company

205 KEITH VALLEY RD
HORSHAM, PA 19044-9986

215-674-1234
FAX 215-674-2731

MOUNTING DIMENSIONS
FOR 508-46-X05
TWO WIRE
RF LEVEL TRANSMITTER

418-2-72-CD SHT. 1 OF 2
ISS. OF 2

440-115-184 (2)

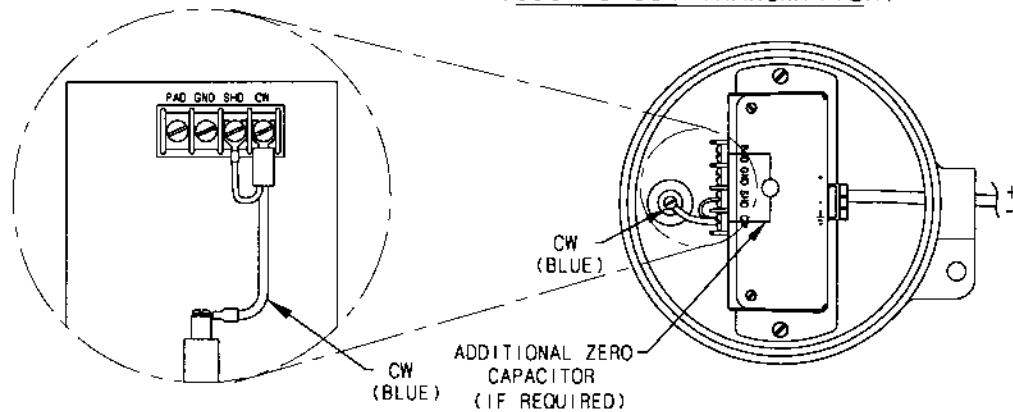
NO. 418-2-72-0D

SHT 1 OF 2

INTEGRAL MOUNT

INTEGRAL MOUNT - TWO TERMINAL PROBE

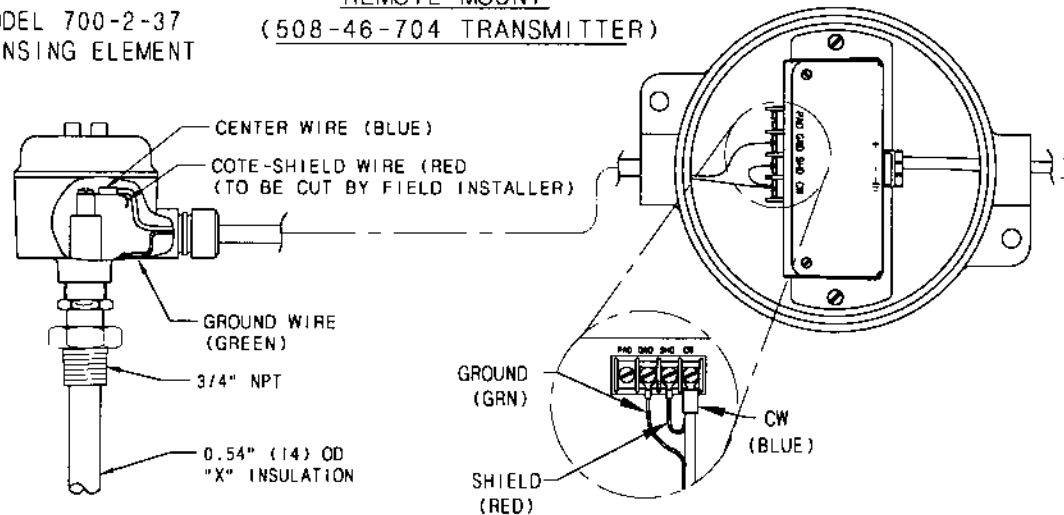
(508-46-904 TRANSMITTER)



REMOTE MOUNT

MODEL 700-2-37
SENSING ELEMENT

(508-46-704 TRANSMITTER)



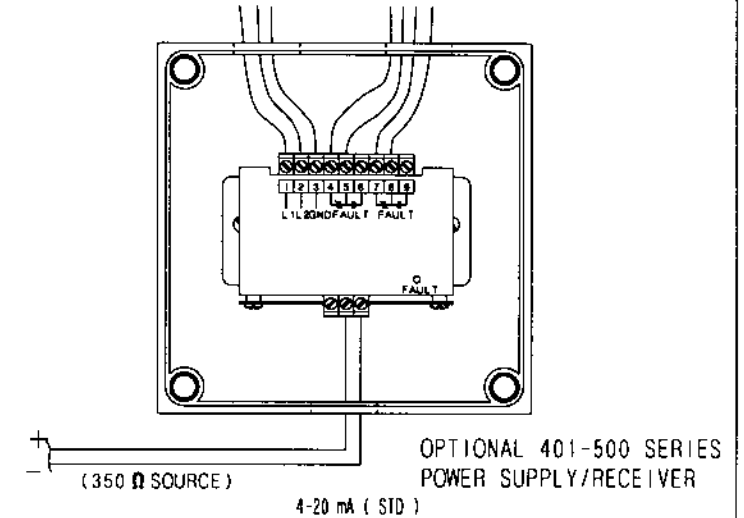
NOTES:

- 1 ALL DEVICES MUST BE WIRED IN SERIES.
VOLTAGE DRIVEN DEVICES REQUIRE A SERIES VOLTAGE DROPPING RESISTOR.
- 2 SIGNAL TERMINALS + & - CAN OPERATE WITH MINIMUM OF 13.0 VDC WITH 20mA FLOWING.
- 3 IF THE FIELD WIRING IS TO BE IN HAZARDOUS AREAS, THEN SUITABLE SAFETY BARRIERS ARE REQUIRED BETWEEN THE POWER SUPPLY AND THE FIELD TO PROVIDE FOR INTRINSICALLY SAFE FIELD WIRING.

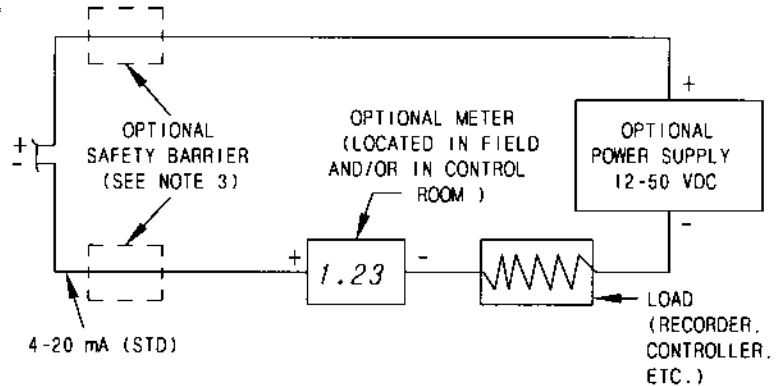
HAZARDOUS
AREA

NONHAZARDOUS
AREA

POWER IN RELAY CONNECTIONS



INDIVIDUAL LOOP COMPONENT WIRING



CERTIFIED	by _____								
PO # _____									
ENG _____									
USER _____									
DE # _____	ISS.	EDO/DSR NO.	APP'D	DATE	DR.	CK.			

COPYRIGHT 1998
DREXELBROOK ENG CO.
SCALE NONE
UNLESS OTHERWISE STATED
ALL DIMENSIONS IN INCHES (MM)
DR. AJK
CK. *[Signature]*

DREXELBROOK
Engineering Company
205 KEITH VALLEY RD
HORSHAM, PA 19044-9986
215-674-1234
FAX 215-674-2731

WIRING DIAGRAM
FOR 508-46-X05
TWO WIRE
RF LEVEL TRANSMITTER
418-2-72-CD
SHT. 2 OF 2
ISS 1

440-115-184 (2)
NO. 418-2-72-CD
SHT. 2 OF 2