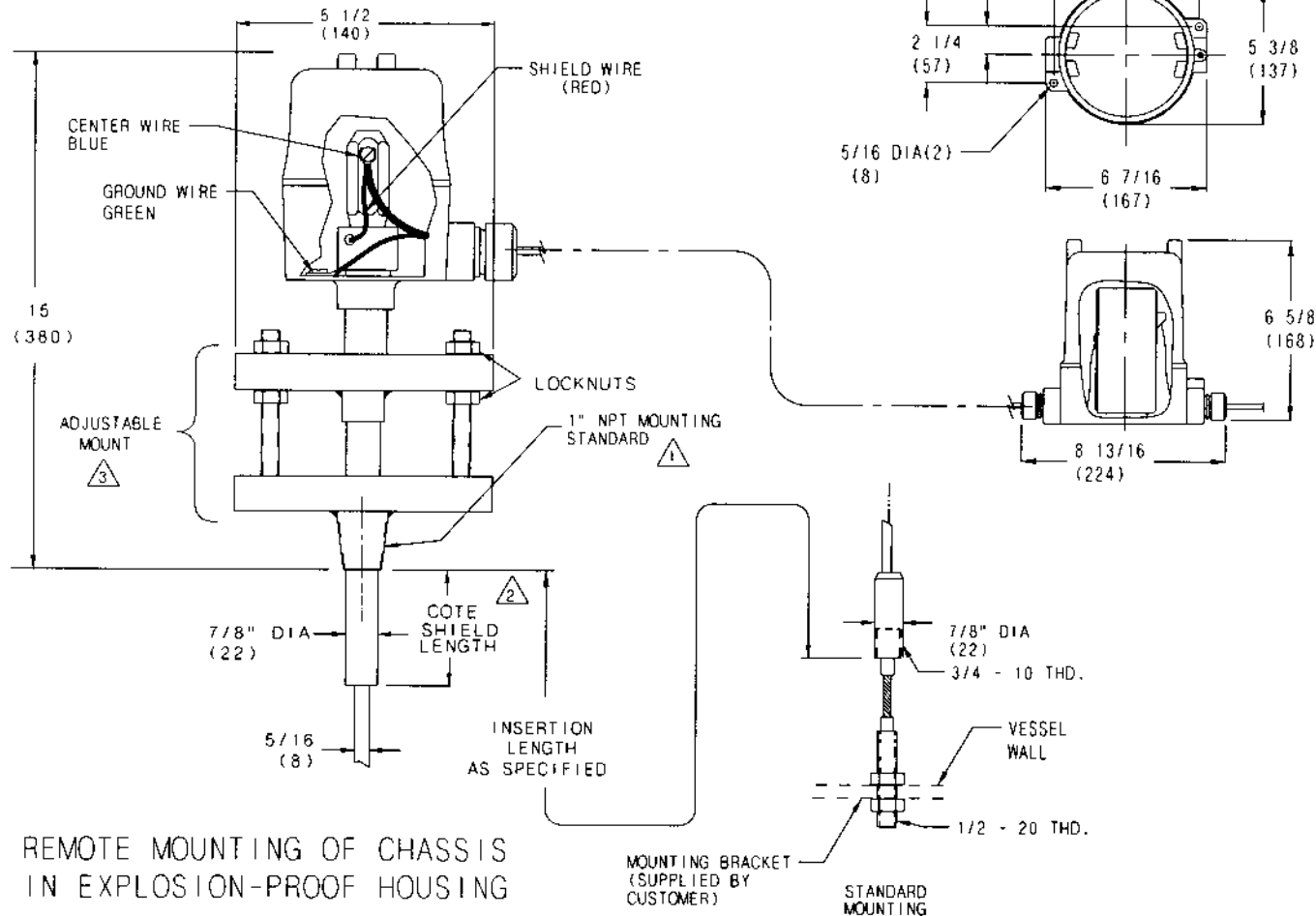


△ NOTES

1. MINIMUM FLANGE SIZE 2" 150# ANSI
2. NOMINAL COTE-SHIELD LENGTH 6" (152) MAY VARY FROM 3" (76) TO 9" (229) WITH CABLE SLACK ADJUSTMENT. SPECIFY ADDITIONAL COTE-SHIELD LENGTH IF REQUIRED.
3. ADJUSTABLE MOUNT IS USED TO REMOVE EXCESS SLACK FROM CABLE. CAUTION DO NOT PRETIGHTEN CABLE.



REMOTE MOUNTING OF CHASSIS  
IN EXPLOSION-PROOF HOUSING

MAX. PRESSURE RATING: 5 PSI @ 250°F

FIG. 2

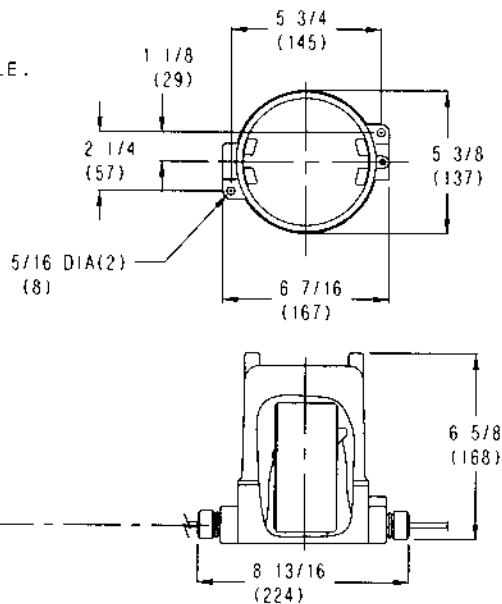
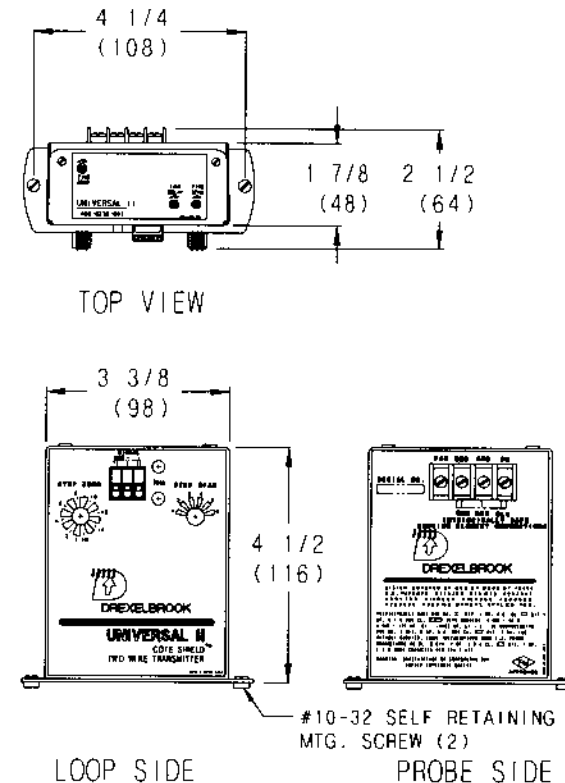


FIG. 3



CHASSIS OUTLINE AND  
MOUNTING DIMENSIONS

CERTIFIED	by				COPYRIGHT 1998
PO #					DREXELBROOK ENG CO.
ENG					SCALE NONE
USER					UNLESS OTHERWISE STATED ALL DIMENSIONS IN INCHES (MM)
		1	3-98-249	DWK 4/30/98	DR. AJK
DE #		ISS	EDO/DSR NO.	APP'D	DATE
					CK. WJC



DREXELBROOK  
Engineering Company

205 KEITH VALLEY RD  
HORSHAM, PA 19044-9986

215-674-1234  
FAX 215-674-2731

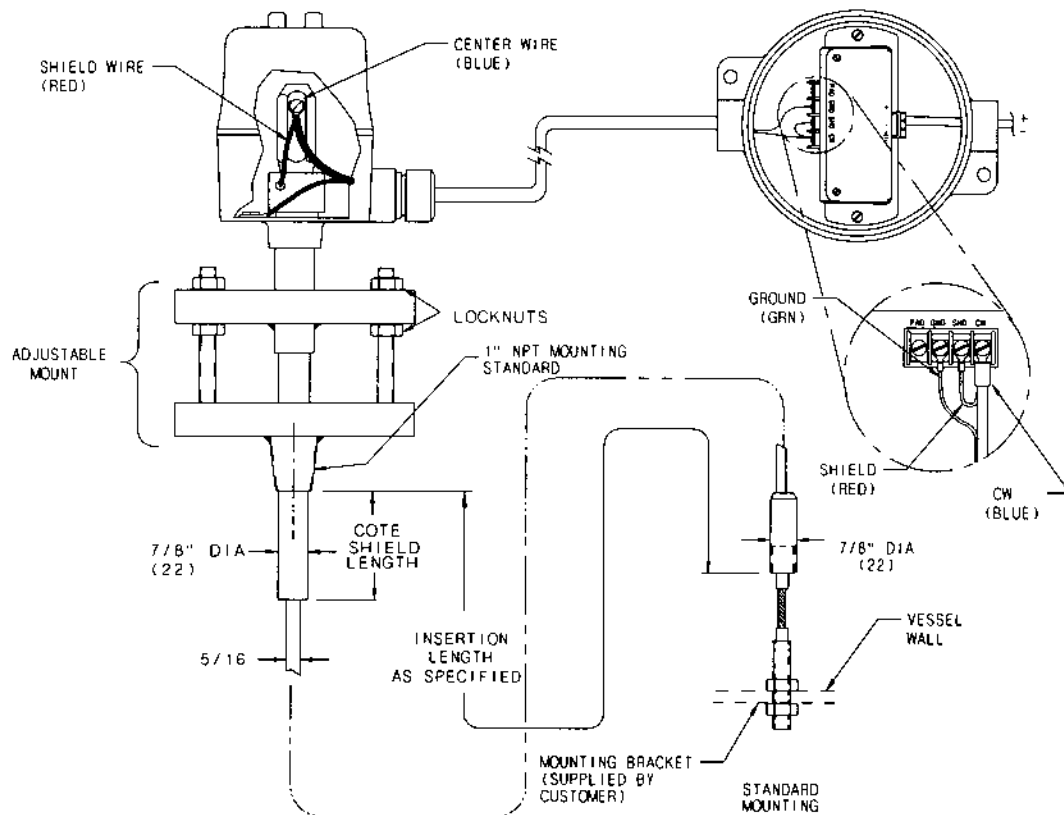
MOUNTING DIMENSIONS  
FOR 508-47-714  
TWO WIRE  
RF LEVEL TRANSMITTER

418-2-76-CD

SHT. 1 OF 2  
ISS. OF 2

MODEL 700-205-78  
SENSING ELEMENT

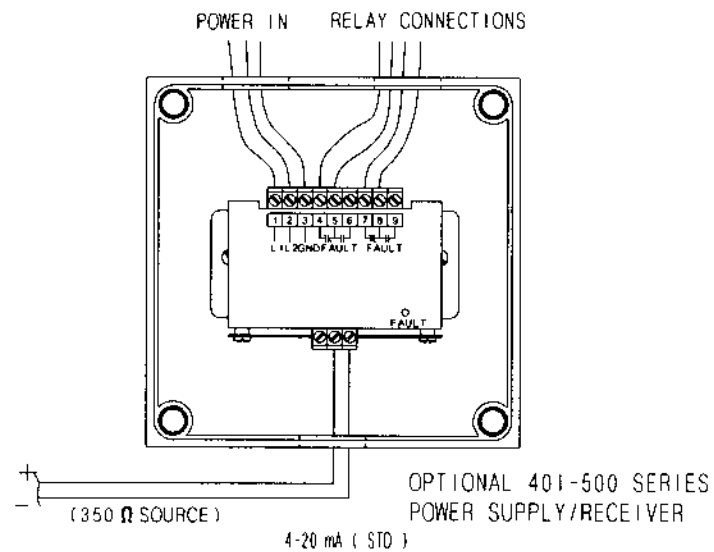
REMOTE MOUNT  
(508-47-714 TRANSMITTER)



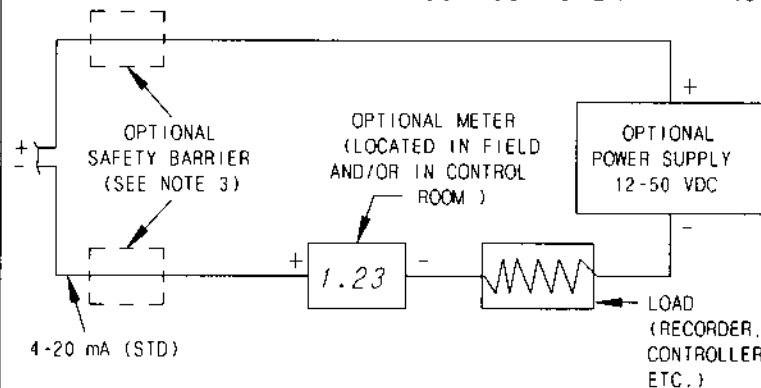
NOTES:

- 1 ALL DEVICES MUST BE WIRED IN SERIES. VOLTAGE DRIVEN DEVICES REQUIRE A SERIES VOLTAGE DROPPING RESISTOR.
- 2 SIGNAL TERMINALS + & - CAN OPERATE WITH MINIMUM OF 13.0 VDC WITH 20ma FLOWING.
- 3 IF THE FIELD WIRING IS TO BE IN HAZARDOUS AREAS, THEN SUITABLE SAFETY BARRIERS ARE REQUIRED BETWEEN THE POWER SUPPLY AND THE FIELD TO PROVIDE FOR INTRINSICALLY SAFE FIELD WIRING.

HAZARDOUS AREA      NONHAZARDOUS AREA



INDIVIDUAL LOOP COMPONENT WIRING



CERTIFIED	by				COPYRIGHT 1998
PO #					DREXELBROOK ENG CO.
ENG					SCALE NONE
USER					UNLESS OTHERWISE STATED
					ALL DIMENSIONS IN INCHES (MM)
		1	3-98-249	DWK 4/30/98	DR. AJK
DE #	ISS.	EDO/DSR NO.	APP'D	DATE	CK. WALL



**DREXELBROOK**  
Engineering Company

205 KEITH VALLEY RD  
HORSHAM, PA 19044-9986

215-674-1234  
FAX 215-674-2731

WIRING DIAGRAM  
FOR 508-47-714  
TWO WIRE  
RF LEVEL TRANSMITTER

418-2-76-CD

SHT. 2 OF 2  
ISS 1