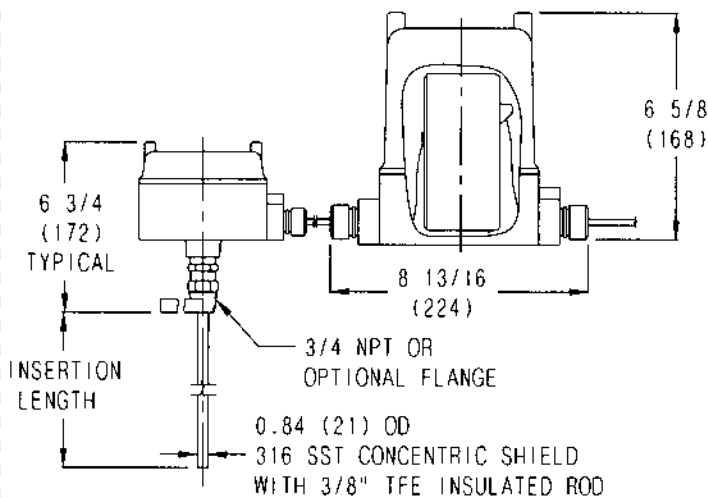
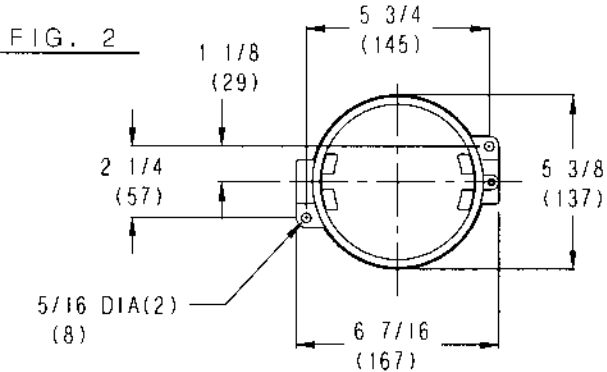
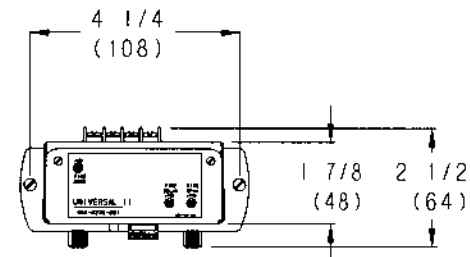


INTEGRAL MOUNTING OF CHASSIS  
IN EXPLOSION-PROOF HOUSING

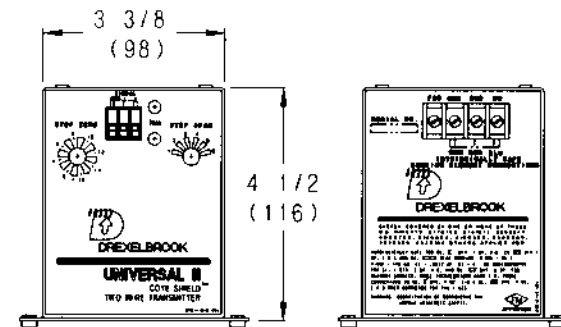


REMOTE MOUNTING OF CHASSIS  
IN EXPLOSION-PROOF HOUSING

FIG. 3



TOP VIEW



LOOP SIDE

PROBE SIDE

CHASSIS OUTLINE AND  
MOUNTING DIMENSIONS

MAX. PRESSURE RATING: 500 PSI @ 300°F  
1000 PSI @ 100°F

CERTIFIED	by _____				COPYRIGHT 1998
PO # _____					DREXELBROOK ENG CO.
ENG _____					SCALE NONE
USER _____					UNLESS OTHERWISE STATED ALL DIMENSIONS IN INCHES (MM)
		1	3-98-249	DWK 4/30/98	DR. AJK
DE # _____	ISS.	EDO/DSR NO.	APP'D	DATE	CK. <i>[Signature]</i>



**DREXELBROOK**  
Engineering Company

205 KEITH VALLEY RD  
HORSHAM, PA 19044-9986

215-674-1234  
FAX 215-674-2731

MOUNTING DIMENSIONS  
FOR 508-47-X44  
TWO WIRE  
RF LEVEL TRANSMITTER

418-2-80-CD SHT. 1 OF 2  
ISS. OF 2 1

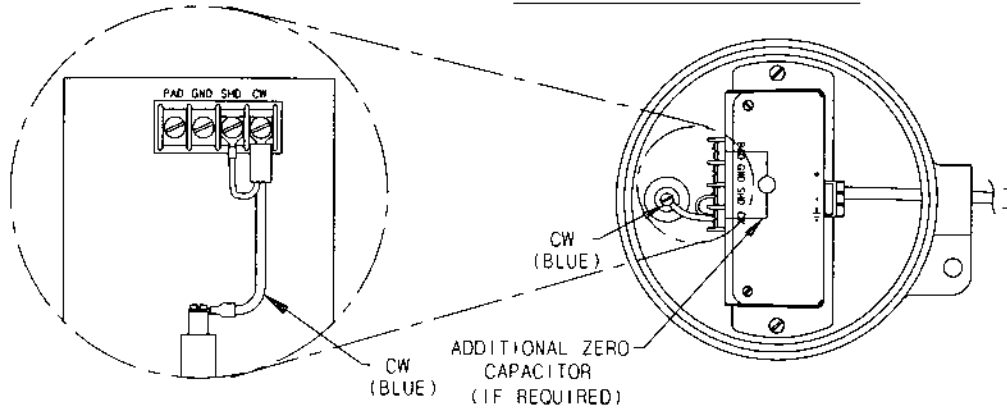
440-115-184 (2)

NO. 418-2-80-CD

SHT. 1 OF 2

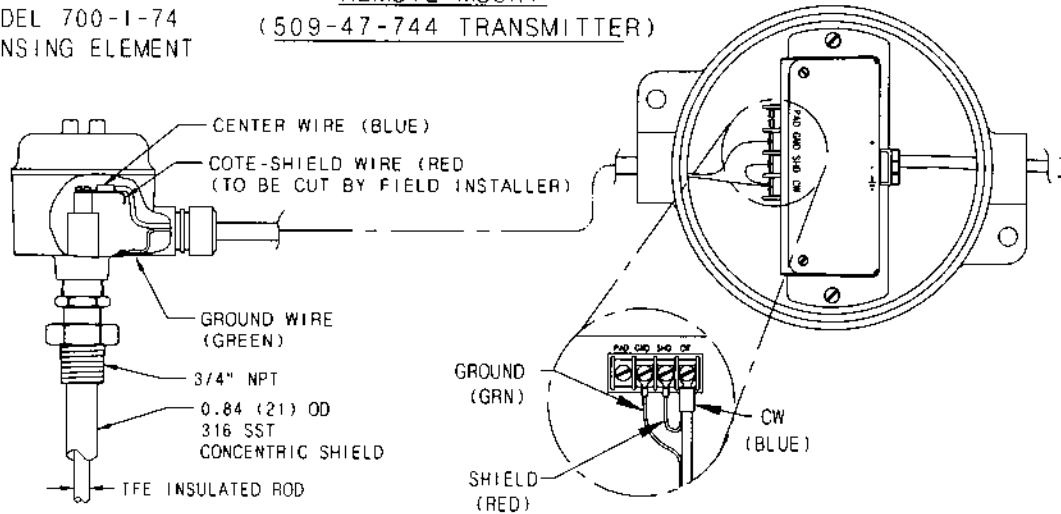
INTEGRAL MOUNT - TWO TERMINAL PROBE

INTEGRAL MOUNT  
(508-47-944 TRANSMITTER)



MODEL 700-1-74  
SENSING ELEMENT

REMOTE MOUNT  
(509-47-744 TRANSMITTER)



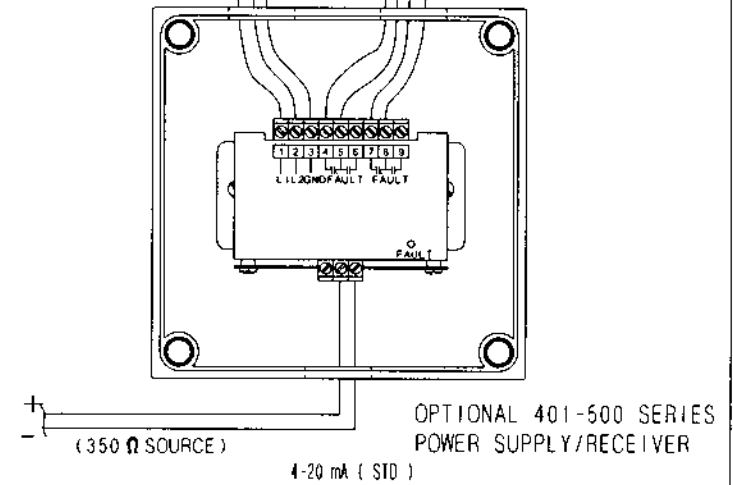
NOTES:

- ALL DEVICES MUST BE WIRED IN SERIES.  
VOLTAGE DRIVEN DEVICES REQUIRE A SERIES VOLTAGE DROPPING RESISTOR.
- SIGNAL TERMINALS + & - CAN OPERATE WITH MINIMUM OF 13.0 VDC WITH 20mA FLOWING.
- IF THE FIELD WIRING IS TO BE IN HAZARDOUS AREAS, THEN SUITABLE SAFETY BARRIERS ARE REQUIRED BETWEEN THE POWER SUPPLY AND THE FIELD TO PROVIDE FOR INTRINSICALLY SAFE FIELD WIRING.

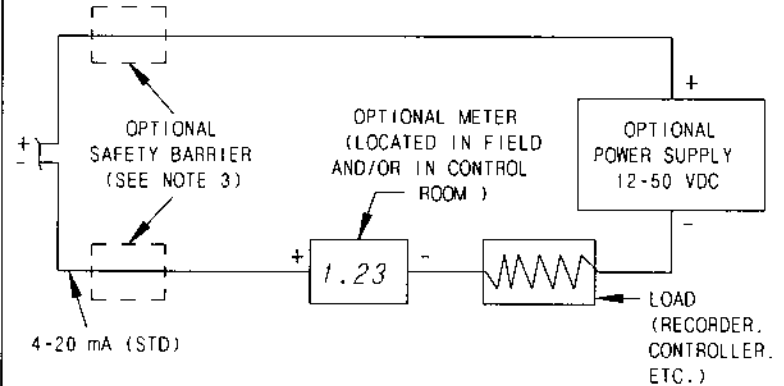
HAZARDOUS AREA

NONHAZARDOUS AREA

POWER IN RELAY CONNECTIONS



INDIVIDUAL LOOP COMPONENT WIRING



CERTIFIED	by _____				COPYRIGHT 1998
PO # _____					DREXELBROOK ENG CO.
ENG _____					SCALE NONE
USER _____					UNLESS OTHERWISE STATED
					ALL DIMENSIONS IN INCHES (MM)
	1	3-98-249	DWK	4/30/98	DR. AJK
OE # _____	ISS.	EDO/DSR NO.	APP'D	DATE	CK. WLL



DREXELBROOK  
Engineering Company

205 KEITH VALLEY RD  
HORSHAM, PA 19044-9986

215-674-1234  
FAX 215-674-2731

WIRING DIAGRAM  
FOR 508-47-X44  
TWO WIRE  
RF LEVEL TRANSMITTER

418-2-80-CD

SHT. 2 OF 2  
ISS 1