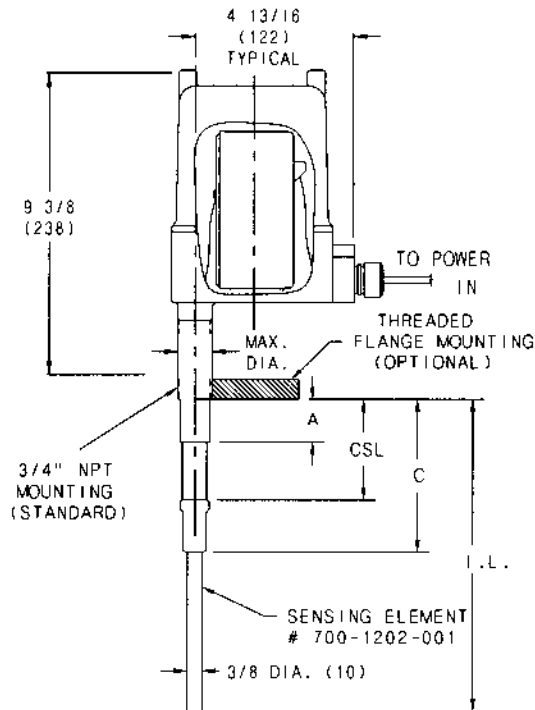
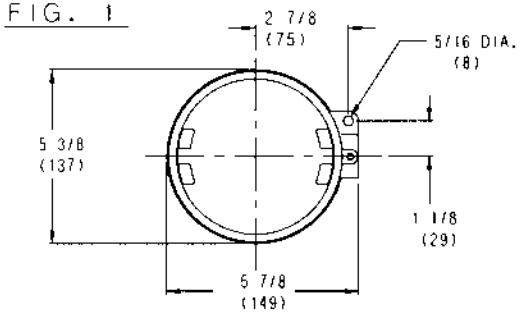
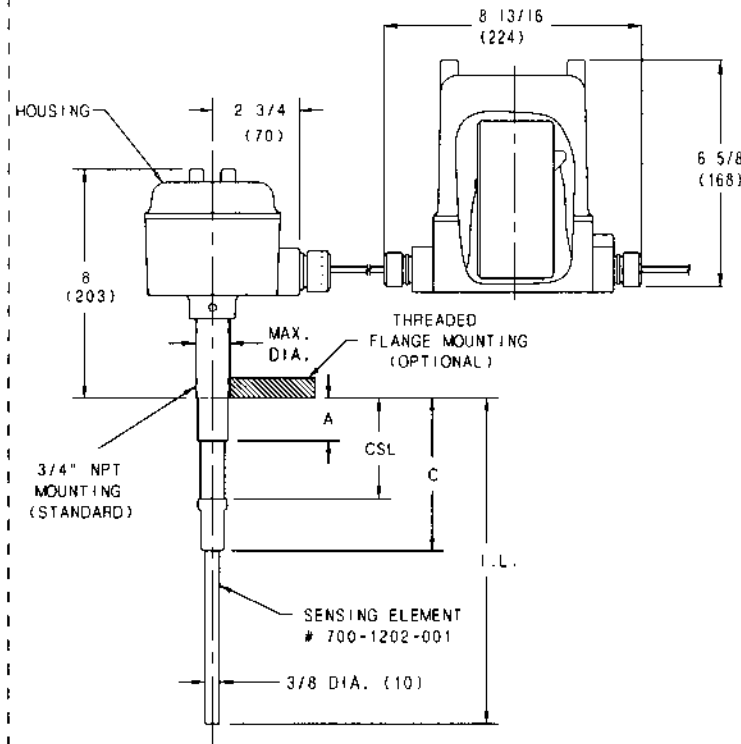
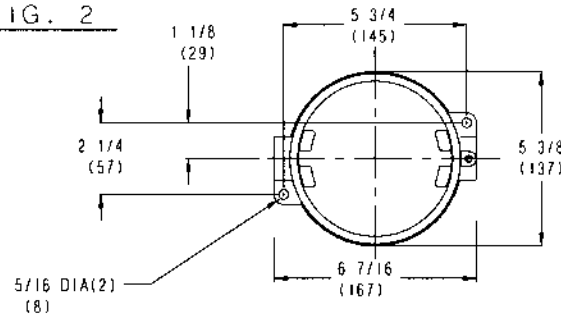


FIG. 1



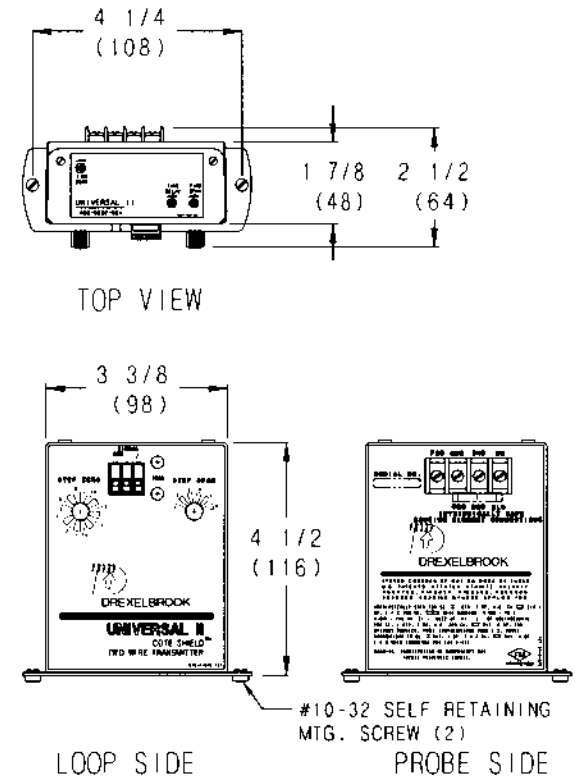
INTEGRAL MOUNTING OF CHASSIS IN EXPLOSION-PROOF HOUSING

FIG. 2



REMOTE MOUNTING OF CHASSIS IN EXPLOSION-PROOF HOUSING

FIG. 3



CHASSIS OUTLINE AND MOUNTING DIMENSIONS

MAX. PRESSURE RATING: 200 PSI @ 450 °F

|            |                  |       |      |                |  |
|------------|------------------|-------|------|----------------|--|
| CERTIFIED  | by _____         |       |      |                | COPYRIGHT 1998   |
| PO # _____ |                  |       |      |                | DREXELBROOK ENG CO.                                      |
| ENG _____  |                  |       |      |                | SCALE NONE   |
| USER _____ |                  |       |      |                | UNLESS OTHERWISE STATED<br>ALL DIMENSIONS IN INCHES (MM) |
|            |                  |       |      |                | DR. A.J.K.   |
| DE # _____ | ISS. EDO/DSR NO. | APP'D | DATE | CK. <i>NWL</i> |  |
|            |                  |       |      |                |  |

**DREXELBROOK**  
Engineering Company

205 KEITH VALLEY RD  
HORSHAM, PA 19044-9986

215-674-1234  
FAX 215-674-2731

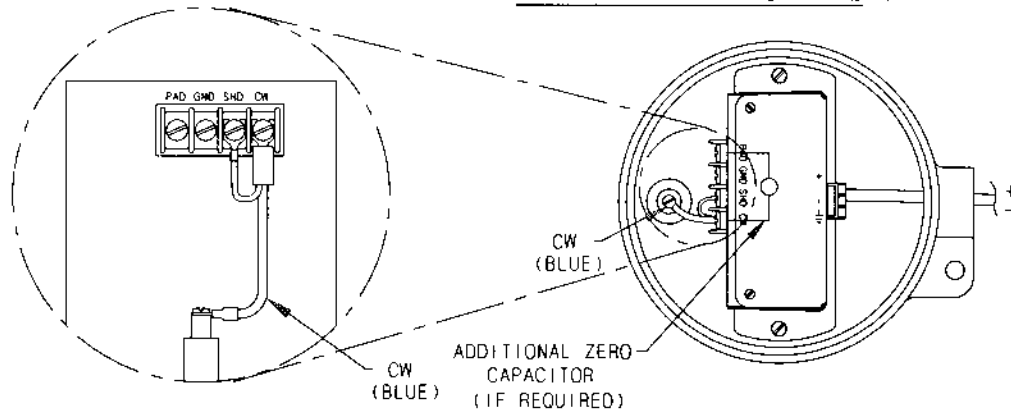
MOUNTING DIMENSIONS  
FOR 508-47-X55  
TWO WIRE  
RF LEVEL TRANSMITTER

418-2-82-CD

SHT. 1 OF 2  
ISS OF 2 1

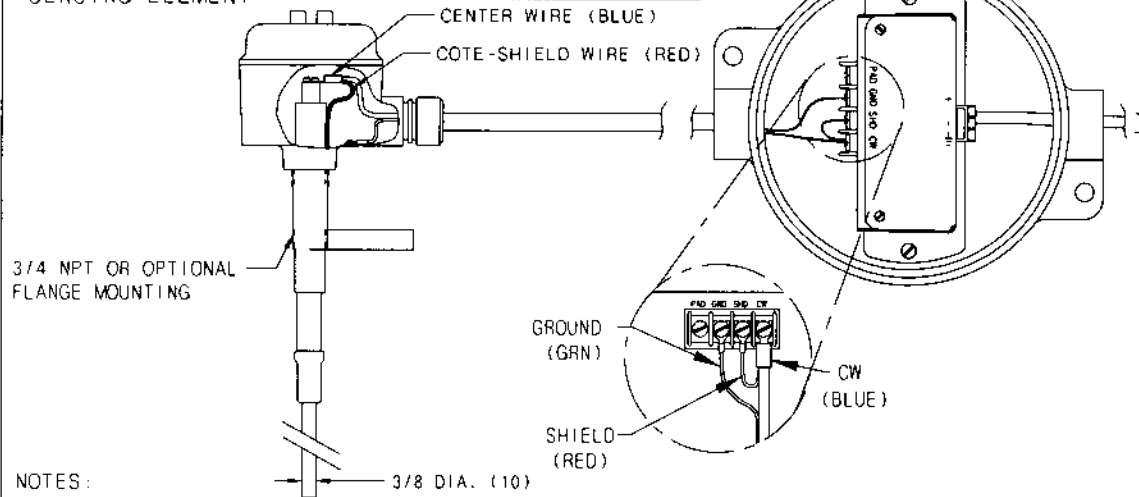
INTEGRAL MOUNT - TWO TERMINAL PROBE

INTEGRAL MOUNT  
(508-47-955 TRANSMITTER)



MODEL 700-1202-1  
SENSING ELEMENT

REMOTE MOUNT  
(509-47-755 TRANSMITTER)



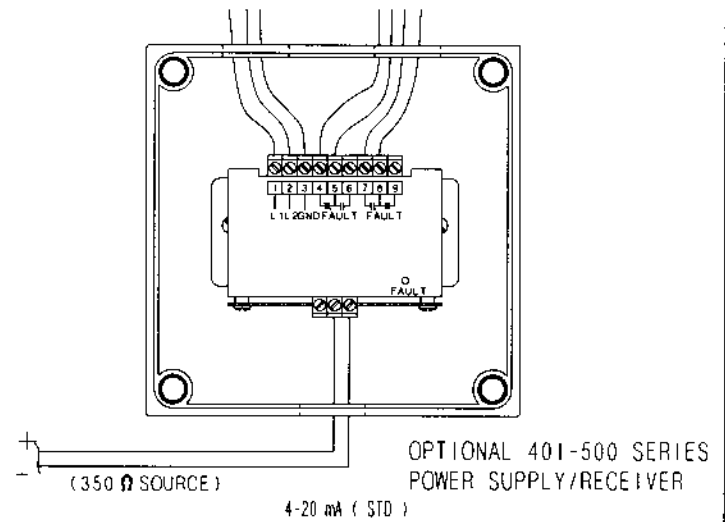
NOTES:

- 1 ALL DEVICES MUST BE WIRED IN SERIES.  
VOLTAGE DRIVEN DEVICES REQUIRE A SERIES VOLTAGE DROPPING RESISTOR.
- 2 SIGNAL TERMINALS + & - CAN OPERATE WITH MINIMUM OF 13.0 VDC WITH 20mA FLOWING.
- 3 IF THE FIELD WIRING IS TO BE IN HAZARDOUS AREAS, THEN SUITABLE SAFETY BARRIERS ARE REQUIRED BETWEEN THE POWER SUPPLY AND THE FIELD TO PROVIDE FOR INTRINSICALLY SAFE FIELD WIRING.

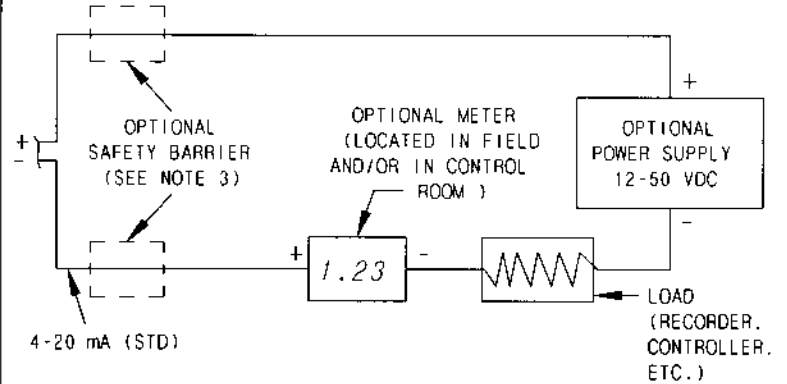
HAZARDOUS AREA

NONHAZARDOUS AREA

POWER IN RELAY CONNECTIONS



INDIVIDUAL LOOP COMPONENT WIRING



|           |                  |       |          |         |          |
|-----------|------------------|-------|----------|---------|----------|
| CERTIFIED | by _____         |       |          |         |          |
| PO #      | _____            |       |          |         |          |
| ENG       | _____            |       |          |         |          |
| USER      | _____            |       |          |         |          |
| DE #      | _____            | 1     | 3-98-249 | DWJK    | 7/30/98  |
|           | ISS. EDO/DSR NO. | APP'D | DATE     | DR. AJK | CK. DWJK |

COPYRIGHT 1998  
DREXELBROOK ENG CO.  
SCALE NONE  
UNLESS OTHERWISE STATED  
ALL DIMENSIONS IN INCHES (MM)



DREXELBROOK  
Engineering Company

205 KEITH VALLEY RD  
HORSHAM, PA 19044-9986

215-674-1234  
FAX 215-674-2731

WIRING DIAGRAM  
FOR 508-47-X55  
TWO WIRE  
RF LEVEL TRANSMITTER

418-2-82-CD

SHT. 2 OF 2  
ISS 1