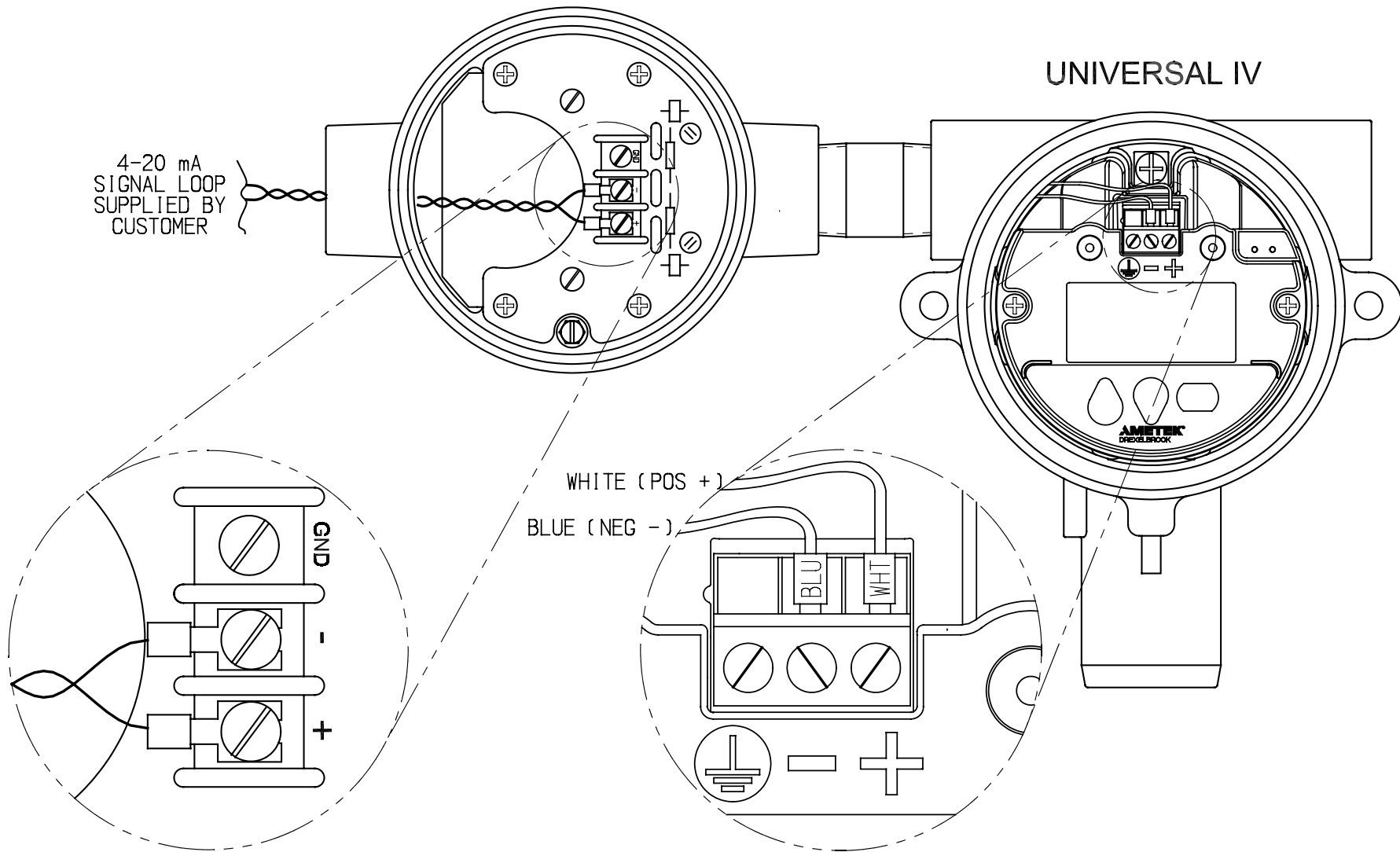


WIRING CONNECTIONS

SIGNAL FILTER ASSEMBLY

UNIVERSAL IV

4-20 mA
SIGNAL LOOP
SUPPLIED BY
CUSTOMER



CERTIFIED	by _____			COPYRIGHT 2012
PO #				AMETEK DREXELBROOK
ENG				SCALE NONE
USER				UNLESS OTHERWISE STATED ALL DIMENSIONS IN INCHES (MM)
	2	3-12-115	JEN	3-23-12
	1	1-12-111	JEN	2-23-12
DE #	ISS.	EDO/DSR NO.	APP' D	DATE
				DR. JJS 3-22-12
				CK. LEP 4-1-12

AMETEK®
DREXELBROOK

205 KEITH VALLEY RD
HORSHAM, PA 19044-9986

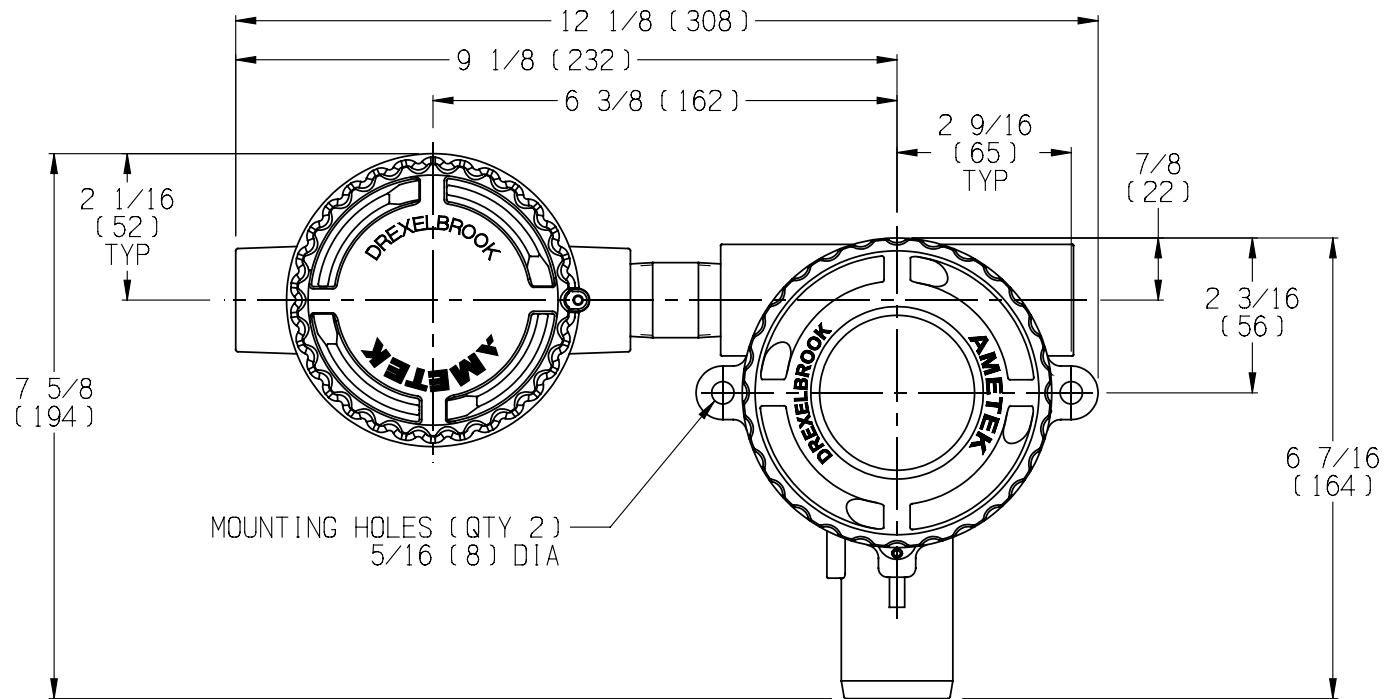
215-674-1234
FAX 215-674-2731

UNIVERSAL IV
SIGNAL FILTER ASSEMBLY,
RFI AND SURGE PROTECTION
CUSTOMER DRAWING

401-0016-028-CD

ISS. 1 OF 2
SHT. 1 OF 2

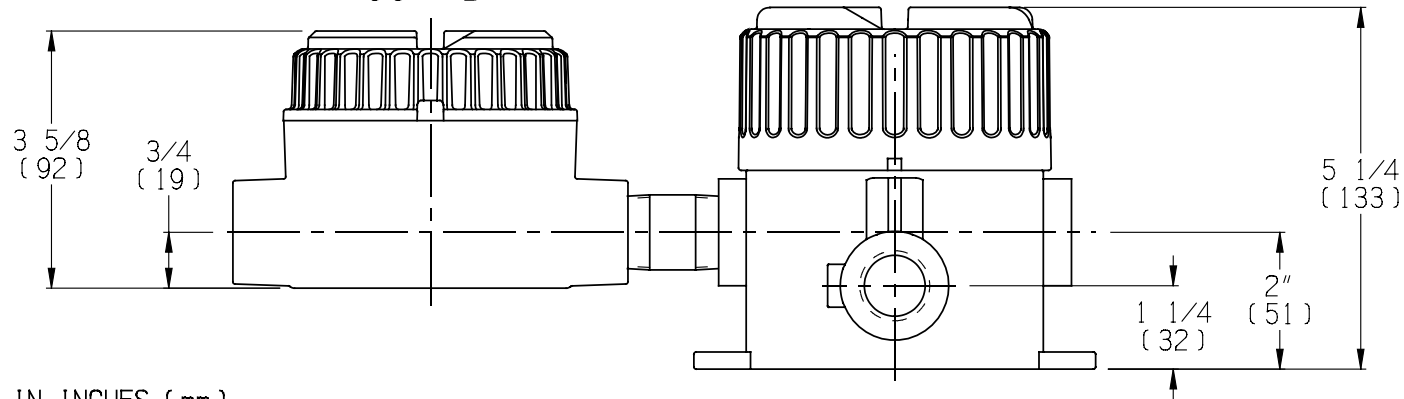
No. 401-0016-028-CD SHT. 1 OF 2



MOUNTING HOLES (QTY 2)
5/16 (8) DIA

SIGNAL FILTER ASSEMBLY

UNIVERSAL IV



DIMENSIONS ARE IN INCHES (mm)

CERTIFIED	by _____					COPYRIGHT 2012
PO # _____						AMETEK DREXELBROOK
ENG _____						SCALE NONE
USER _____						UNLESS OTHERWISE STATED ALL DIMENSIONS IN INCHES (MM)
		2	3-12-115	JEN	3-23-12	DR. JJS 3-22-12
		1	1-12-111	JEN	2-23-12	CK. LEP 4-1-12
DE # _____	ISS.	EDO/DSR NO.	APP'D	DATE		

AMETEK®
DREXELBROOK

205 KEITH VALLEY RD
HORSHAM, PA 19044-9986

215-674-1234
FAX 215-674-2731

UNIVERSAL IV
SIGNAL FILTER ASSEMBLY,
RFI AND SURGE PROTECTION
CUSTOMER DRAWING

401-0016-028-CD

SHT. 2 OF 2
ISS. 2

No. 401-0016-028-CD

SHT 2 OF 2