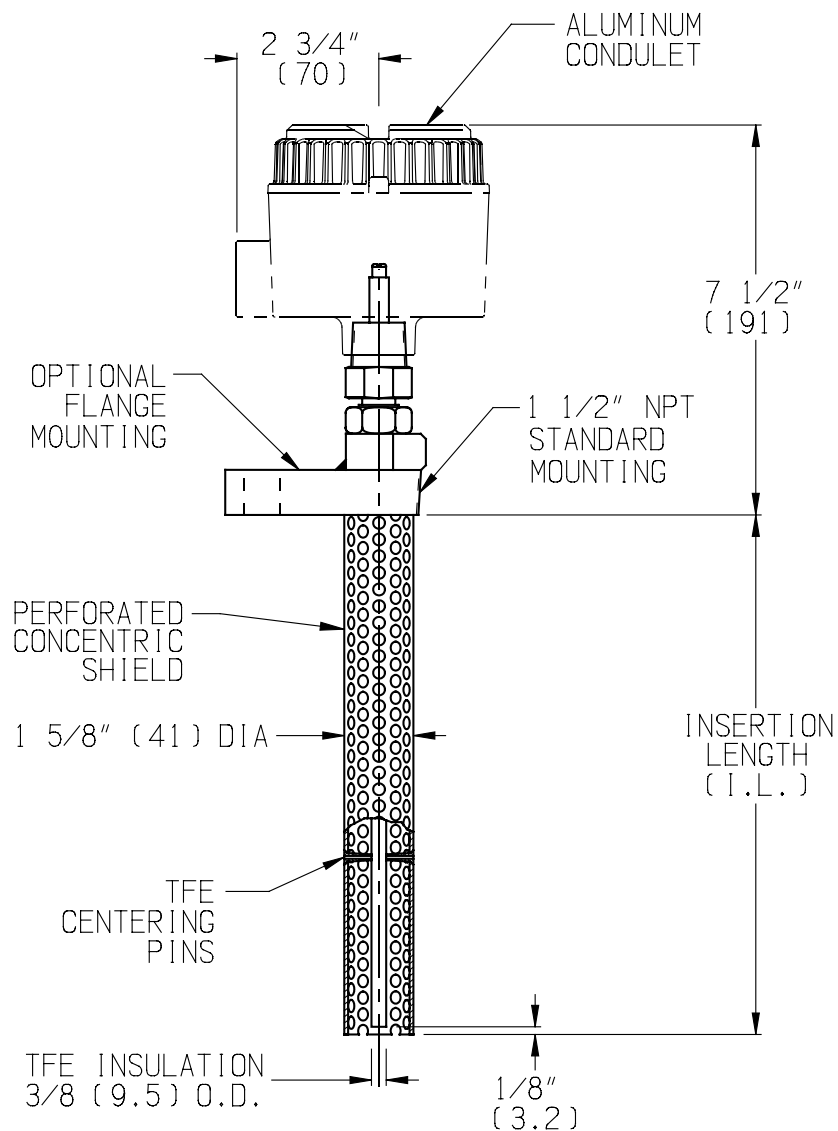
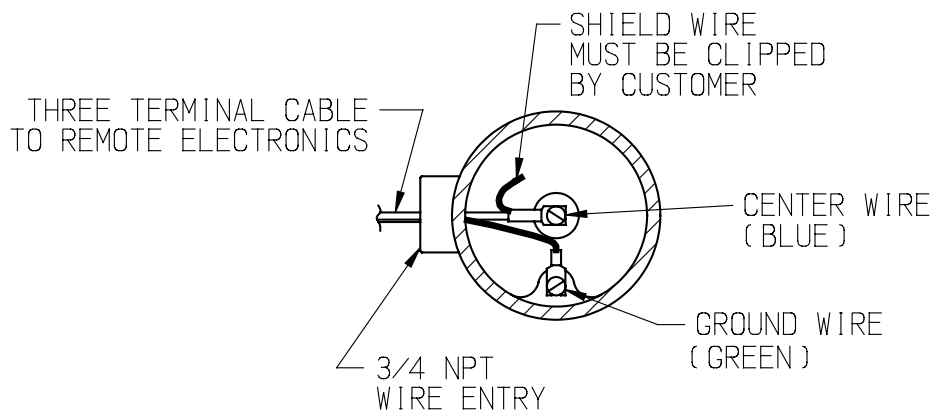


**SENSING ELEMENT WIRING
FOR USE WITH REMOTE ELECTRONICS**



△ NOTES:

1. INSTALLATION WITH REMOTE ELECTRONICS SHOWN.
2. ALUMINUM CONDULET SUPPLIED SEPARATELY.
3. STANDARD METAL WETTED PARTS: 316 STAINLESS STEEL, NON-METALLIC WETTED PARTS: TFE.
4. MINIMUM FLANGE SIZE: 2" 150# ANSI.
5. MAXIMUM INSERTION LENGTH = 20 FT (6096).
6. SENSING ELEMENT PRESSURE AND TEMPERATURE RATINGS:

1000 psi UP TO 100°F OR 6880 kPA UP TO 38°C
500 psi UP TO 300°F 3440 kPA UP TO 148°C

CERTIFIED	by _____				COPYRIGHT 2012
PO # _____					AMETEK DREXELBROOK
ENG _____	3	4-12-105	JEN	5-4-12	SCALE NONE
USER _____	2	6-01-301	JET	10-19-01	UNLESS OTHERWISE STATED ALL DIMENSIONS IN INCHES (MM)
	1	2-96-161	JEN	7-23-96	DR. JJS 4-18-12
DE # _____	ISS.	EDO/DSR NO.	APP'D	DATE	CK. DWK 5-4-12

AMETEK®
DREXELBROOK

205 KEITH VALLEY RD
HORSHAM, PA 19044-9986

215-674-1234
FAX 215-674-2731

SENSING ELEMENT WITH
PERFORATED CONCENTRIC
SHIELD TEFLON INSULATED
MOUNTING AND WIRING
DIAGRAM

700-0001-026-CD

SHT. 1 OF 1
ISS. 3

No. 700-0001-026-CD

SHT 1 OF 1