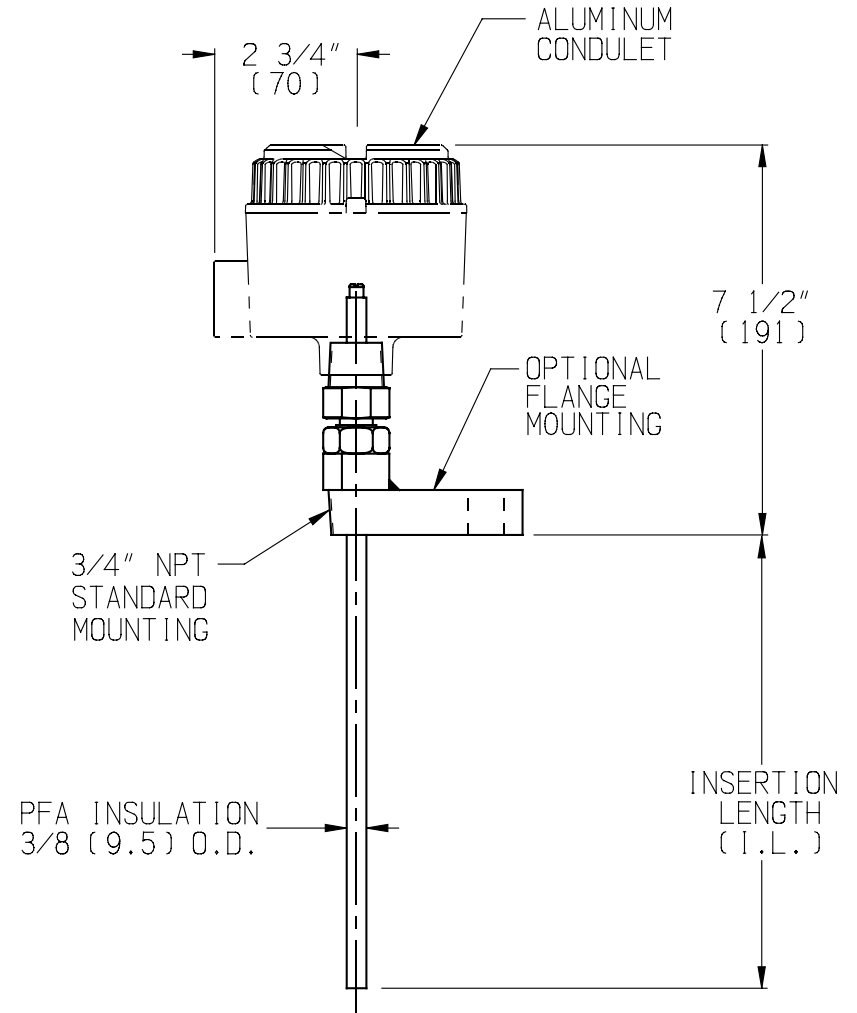
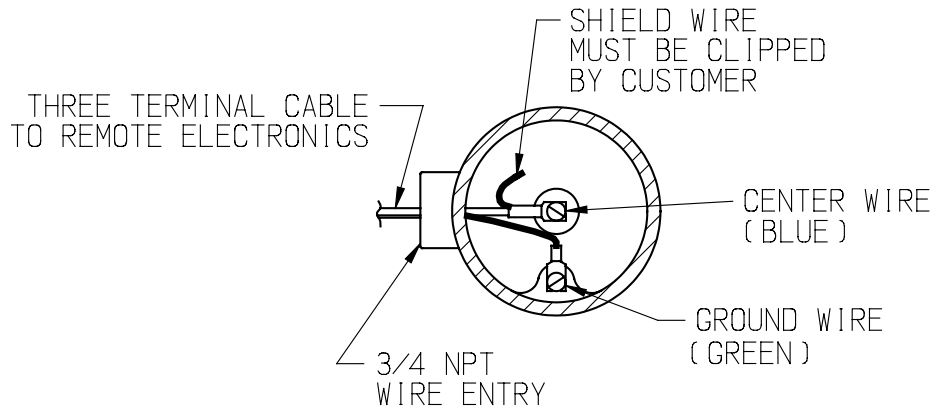


SENSING ELEMENT WIRING FOR USE WITH REMOTE ELECTRONICS



△NOTES:

1. INSTALLATION WITH REMOTE ELECTRONICS SHOWN.
2. ALUMINUM CONDULET SUPPLIED SEPARATELY.
3. STANDARD METAL WETTED PARTS: 316 STAINLESS STEEL,
NON-METALLIC WETTED PARTS: PFA.
4. MINIMUM FLANGE SIZE: 1" 150# ANSI.
5. MAXIMUM INSERTION LENGTH = 20 FT (6096).
6. SENSING ELEMENT PRESSURE AND TEMPERATURE RATINGS:

1000 psi UP TO 100°F	OR	6880 kPa UP TO 38°C
500 psi UP TO 300°F		3440 kPa UP TO 148°C

CERTIFIED	by _____				COPYRIGHT 2012
PO # _____	6	4-12-105	JEN	5-4-12	AMETEK DREXELBROOK
ENG _____	5	6-01-301	JET	10-19-01	SCALE NONE
USER _____	4	2-91-177	JEN	10-3-91	UNLESS OTHERWISE STATED ALL DIMENSIONS IN INCHES (MM)
_____	3	7-87-162	JLC	7/87	DR. JJS 4-17-12
DE # _____	ISS.	EDO/DSR NO.	APP'D	DATE	CK. DWK 5-4-12



205 KEITH VALLEY RD
HORSHAM, PA 19044-9986
215-674-1234
FAX 215-674-2731

SENSING ELEMENT MOUNTING & WIRING DIAGRAM

700-0001-044-CD
SHT. 1 OF 1
ISS. 1 OF 1

No. 700-0001-044-CD
SHT 1 OF 1