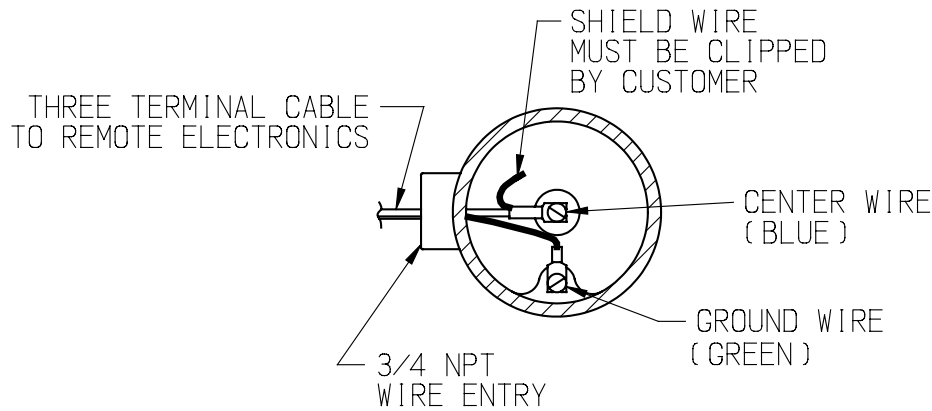
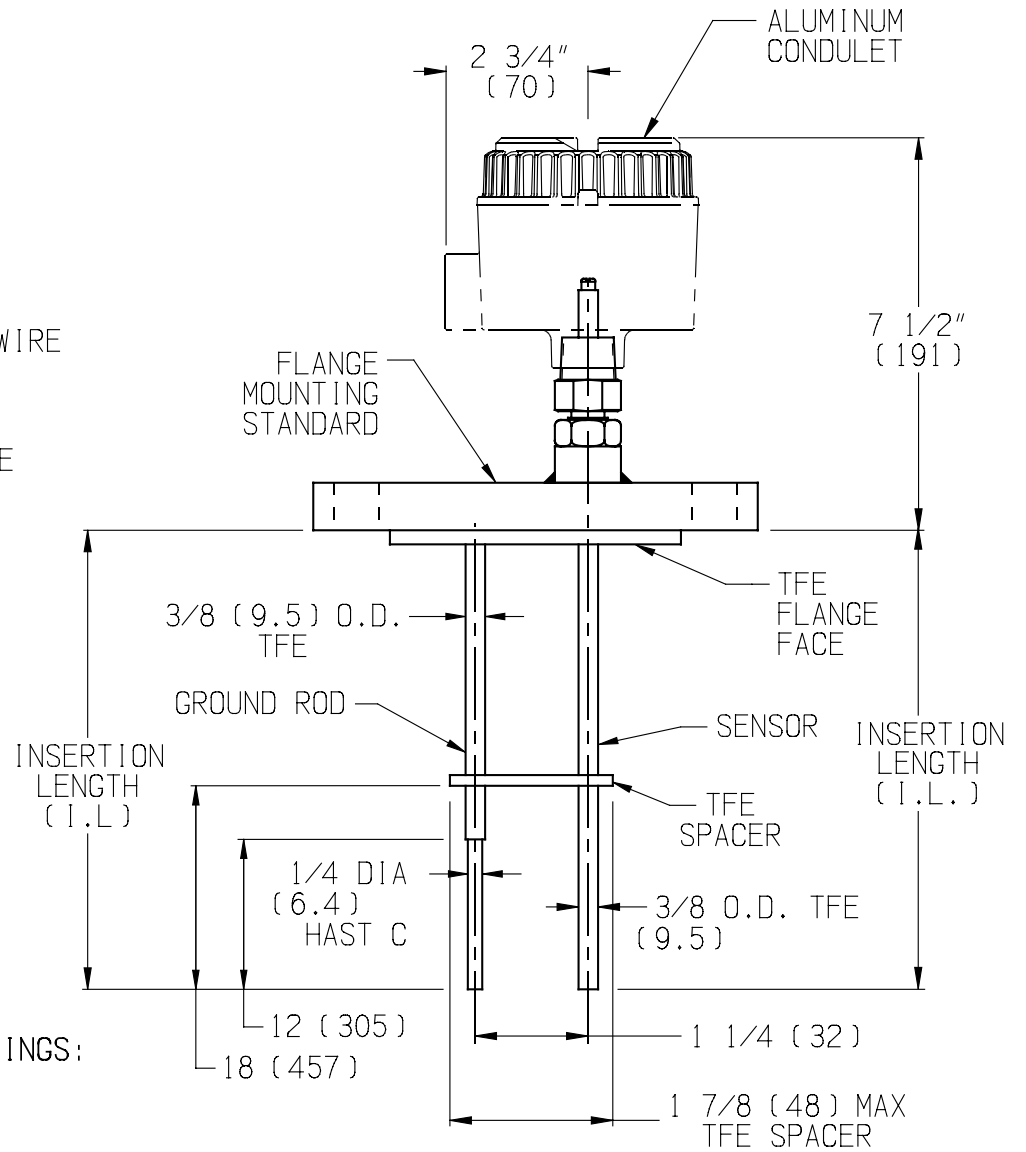


**SENSING ELEMENT WIRING  
FOR USE WITH REMOTE ELECTRONICS**



**△NOTES:**

1. INSTALLATION WITH REMOTE ELECTRONICS SHOWN.
2. ALUMINUM CONDULET SUPPLIED SEPARATELY.
3. SENSING ELEMENT AVAILABLE WITH FLANGE MOUNT ONLY. MINIMUM SIZE 2", 150#.
4. METAL WETTED PART IS HASTELLOY C-276.
5. SENSING ELEMENT PRESSURE AND TEMPERATURE RATINGS:  
 1000 psi UP TO 100°F      OR      6880 kPa UP TO 38°C  
 500 psi UP TO 300°F                3440 kPa UP TO 148°C



CERTIFIED	by _____				COPYRIGHT 2012
PC #	4	4-12-105	JEN	5-4-12	AMETEK DREXELBROOK
ENG	3	5-07-109	JEN	5-17-07	SCALE NONE
USER	2	7-92-165	ELL	9-14-92	UNLESS OTHERWISE STATED ALL DIMENSIONS IN INCHES (MM)
	1	8-89-161	ELL	8-11-89	DR. JJS 4-18-12
DE #	ISS.	EDO/DSR NO.	APP'D	DATE	CK. DWK 5-4-12

**AMETEK®  
DREXELBROOK**

205 KEITH VALLEY RD  
HORSHAM, PA 19044-9986

215-674-1234  
FAX 215-674-2731

700-0001-022 WITH  
HAST C GROUND ROD  
MOUNTING AND WIRING

700-0001-054-CD

SHT. 1 OF 1  
ISS. OF 1 4

No. 700-0001-054-CD

SHT. 1 OF 1