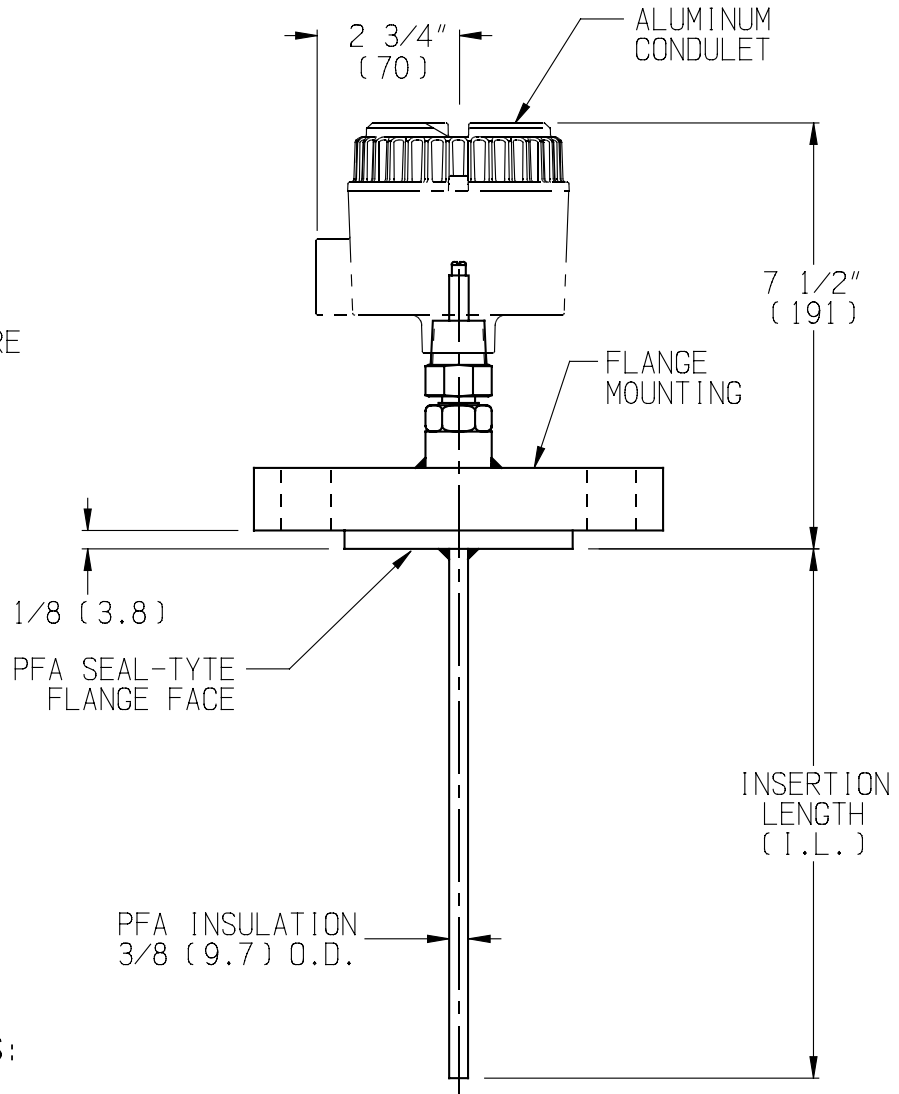
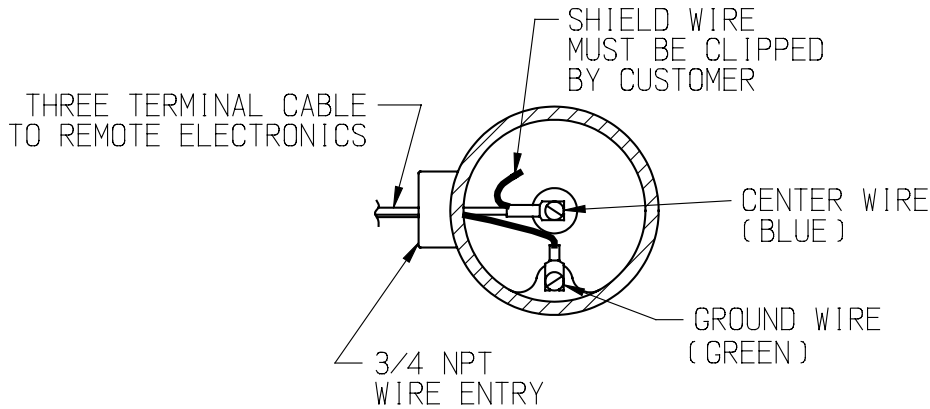


**SENSING ELEMENT WIRING  
FOR USE WITH REMOTE ELECTRONICS**



**△NOTES:**

1. INSTALLATION WITH REMOTE ELECTRONICS SHOWN.
2. ALUMINUM CONDULET SUPPLIED SEPARATELY.
3. STANDARD METAL WETTED PARTS: NONE,  
NON-METALLIC WETTED PARTS: PFA.
4. MINIMUM FLANGE SIZE: 1 1/2" 150# ANSI.
5. MAXIMUM INSERTION LENGTH = 20 FT (6096).
6. SENSING ELEMENT PRESSURE AND TEMPERATURE RATINGS:  
1000 psi UP TO 100°F    OR    6880 kPA UP TO 38°C  
500 psi UP TO 350°F        3440 KPA UP TO 176°C

CERTIFIED	by _____				COPYRIGHT 2012
PO # _____					AMETEK DREXELBROOK
ENG _____					SCALE NONE
USER _____					UNLESS OTHERWISE STATED ALL DIMENSIONS IN INCHES (MM)
	2	4-12-105	JEN	5-4-12	DR. JJS 4-25-12
	1	5-87-167	EOG	7/87	CK. DWK 5-4-12
DE # _____	ISS.	EDO/DSR NO.	APP'D	DATE	

**AMETEK®  
DREXELBROOK**

205 KEITH VALLEY RD  
HORSHAM, PA 19044-9986

215-674-1234  
FAX 215-674-2731

SENSING ELEMENT  
MOUNTING & WIRING  
DIAGRAM

700-0001-344-CD

SHT. 1 OF 1  
ISS. 1 OF 2

No. 700-0001-344-CD  
SHT 1 OF 1