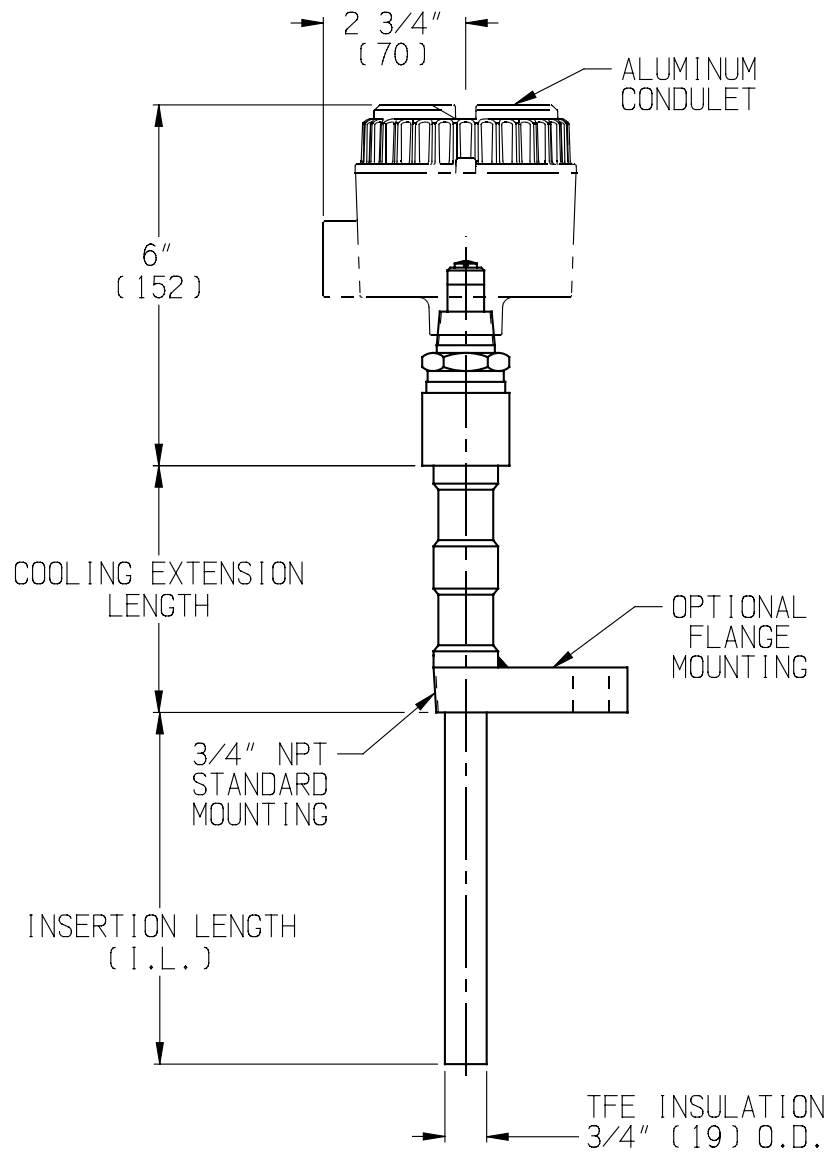
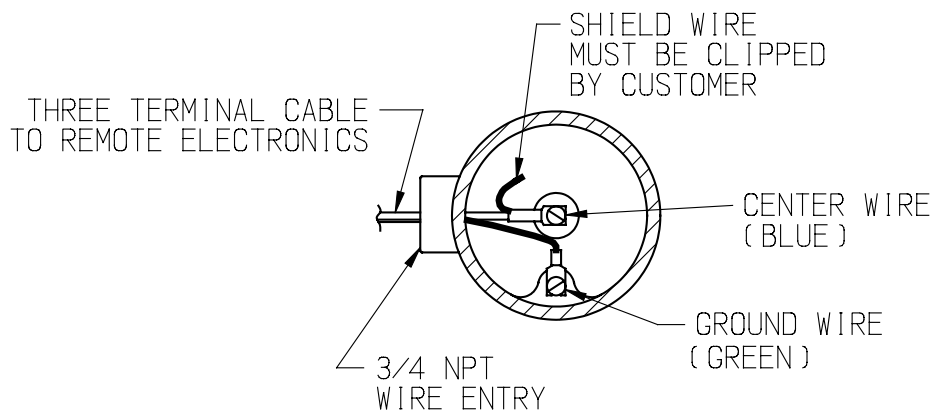


**SENSING ELEMENT WIRING
FOR USE WITH REMOTE ELECTRONICS**



△NOTES:

1. INSTALLATION WITH REMOTE ELECTRONICS SHOWN.
2. ALUMINUM CONDULET SUPPLIED SEPARATELY.
3. STANDARD METAL WETTED PARTS: 316 STAINLESS STEEL, NON-METALLIC WETTED PARTS: TFE.
4. COOLING EXTENSION LENGTH:
6" (152) WITH STANDARD 3/4 NPT MOUNTING
12" (305) WITH OPTIONAL FLANGE MOUNTING
5. 1" NPT MOUNTING WITH OPTIONAL INACTIVE.
6. MINIMUM FLANGE SIZE: 1" 150# ANSI (WITHOUT INACTIVE)
1 1/2" 150# ANSI (WITH INACTIVE)
7. MAXIMUM INSERTION LENGTH = 18 FT (5486).
8. SENSING ELEMENT PRESSURE AND TEMPERATURE RATINGS:
1000 psi UP TO 100°F OR 6880 kPA UP TO 38°C
500 psi UP TO 450°F 3440 kPA UP TO 232°C

CERTIFIED	by _____				COPYRIGHT 2012
PO # _____	4	4-12-105	JEN	5-4-12	AMETEK DREXELBROOK
ENG _____	3	8-07-111	JEN	9-7-07	SCALE NONE
USER _____	2	5-03-164	JEN	9-30-03	UNLESS OTHERWISE STATED ALL DIMENSIONS IN INCHES (MM)
_____	1	6-01-301	JET	10-19-01	DR. JJS 4-10-12
DE # _____	ISS.	EDO/DSR NO.	APP'D	DATE	CK. DWK 5-4-12

AMETEK®
DREXELBROOK

205 KEITH VALLEY RD
HORSHAM, PA 19044-9986

215-674-1234
FAX 215-674-2731

SENSING ELEMENT
HEAVY DUTY
TEFLON INSULATED
MOUNTING & WIRING
DIAGRAM

700-0002-024-CD

SHT. 1 OF 1
ISS. 4

No. 700-0002-024-CD

SHT 1 OF 1