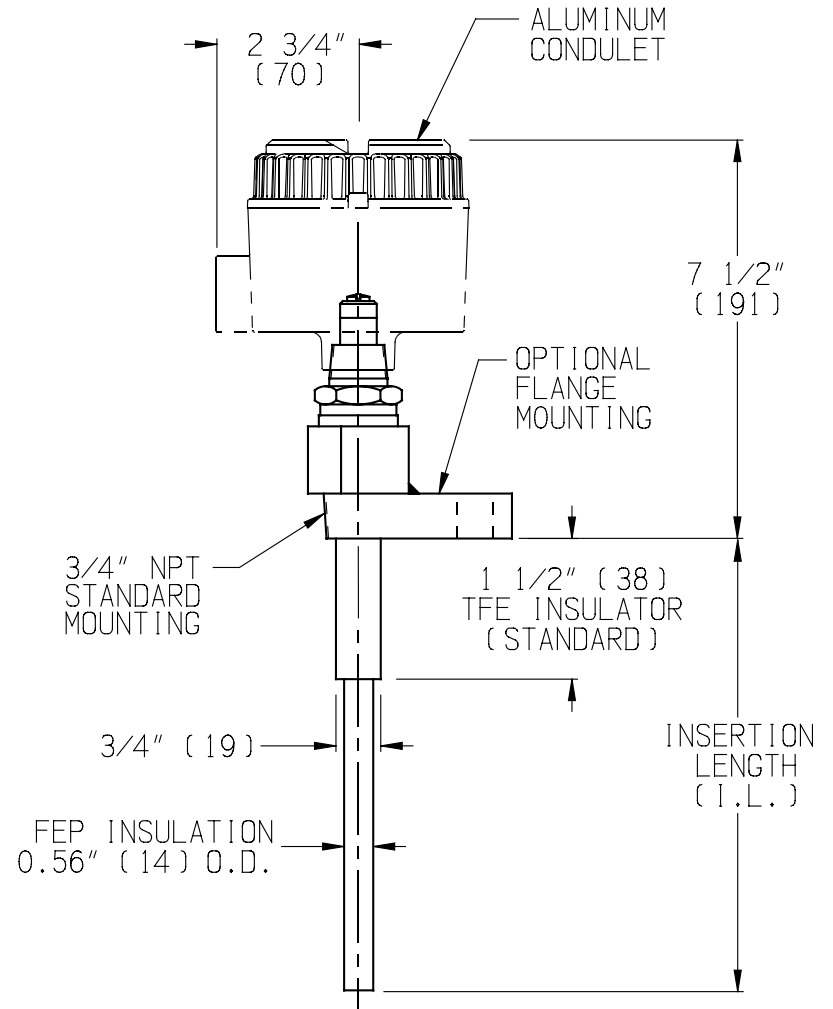
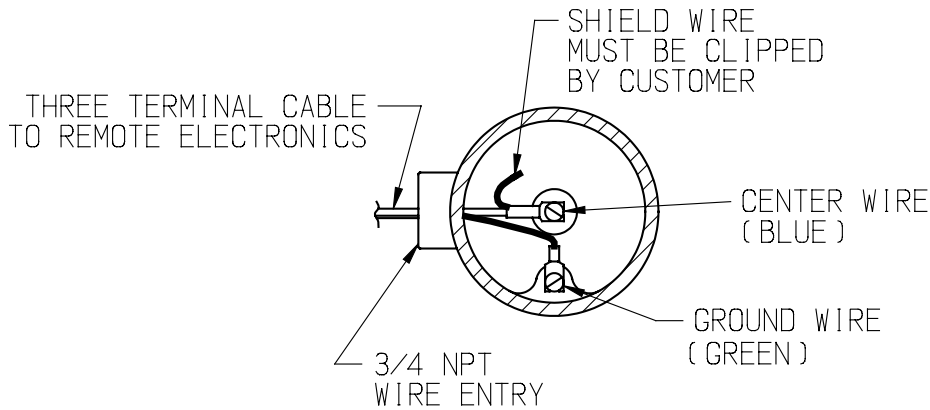


SENSING ELEMENT WIRING FOR USE WITH REMOTE ELECTRONICS



△ NOTES:

1. INSTALLATION WITH REMOTE ELECTRONICS SHOWN.
2. ALUMINUM CONDULET SUPPLIED SEPARATELY.
3. STANDARD METAL WETTED PARTS: 316 STAINLESS STEEL,
NON-METALLIC WETTED PARTS: FEP AND TFE.
4. MINIMUM FLANGE SIZE: 1" 150# ANSI.
5. MAXIMUM INSERTION LENGTH = 20 FT (6096).
6. SENSING ELEMENT PRESSURE AND TEMPERATURE RATINGS:

1000 psi UP TO 100°F	OR	6880 kPA UP TO 38°C
500 psi UP TO 300°F		3440 kPA UP TO 148°C

CERTIFIED	by _____			COPYRIGHT 2012
PO # _____				AMETEK DREXELBROOK
ENG _____	3	4-12-105	JEN	5-4-12
USER _____	2	6-01-301	JET	10-19-01
	1	12-95-173	JEN	4-29-96
DE # _____	ISS.	EDD/DSR NO.	APP'D	DATE
	CK.	DWK 5-4-12		



205 KEITH VALLEY RD
HORSHAM, PA 19044-9986

215-674-1234
FAX 215-674-2731

SENSING ELEMENT MOUNTING & WIRING DIAGRAM

700-0002-027-CD

SHT. 1 OF 1
ISS. 3

No. 700-0002-027-CD

SHT 1 OF 1