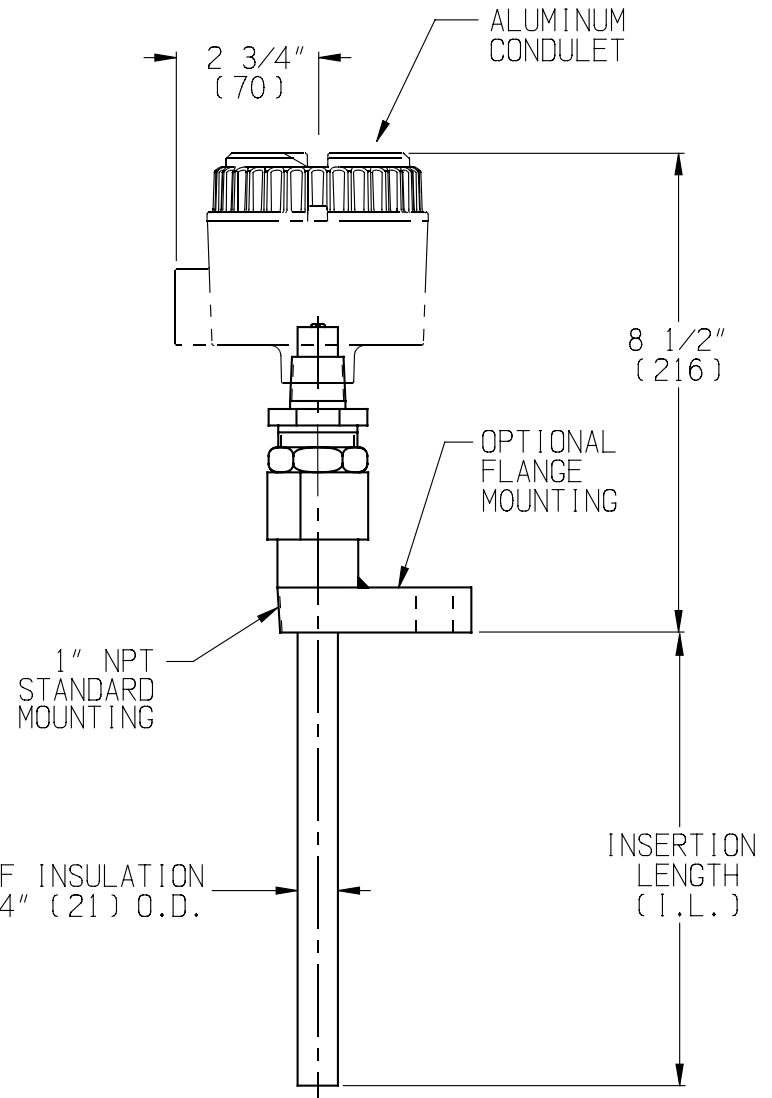
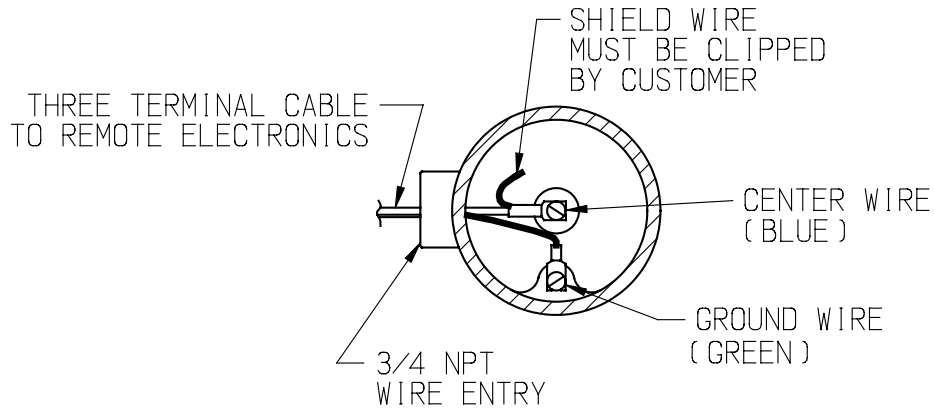


**SENSING ELEMENT WIRING
FOR USE WITH REMOTE ELECTRONICS**



△ NOTES:

1. INSTALLATION WITH REMOTE ELECTRONICS SHOWN.
2. ALUMINUM CONDULET SUPPLIED SEPARATELY.
3. STANDARD METAL WETTED PARTS: 316 STAINLESS STEEL, NON-METALLIC WETTED PARTS: TFE.
4. MINIMUM FLANGE SIZE: 1" 150# ANSI.
5. MAXIMUM INSERTION LENGTH = 20 FT (6096).
6. SENSING ELEMENT PRESSURE AND TEMPERATURE RATINGS:
 1000 psi UP TO 100°F OR 6880 kPA UP TO 38°C
 500 psi UP TO 250°F 3440 kPA UP TO 121°C

CERTIFIED	by _____				COPYRIGHT 2012
PO #	_____				AMETEK DREXELBROOK
ENG	_____				SCALE NONE
USER	_____				UNLESS OTHERWISE STATED ALL DIMENSIONS IN INCHES (MM)
	2	4-12-105	JEN	5-4-12	DR. JJS 4-17-12
	1	6-01-301	JET	10-19-01	CK. DWK 5-4-12
DE #	ISS.	EDO/DSR NO.	APP'D	DATE	



205 KEITH VALLEY RD
HORSHAM, PA 19044-9986

215-674-1234
FAX 215-674-2731

**SENSING ELEMENT
MOUNTING & WIRING
DIAGRAM**

700-0002-057-CD

SHT. 1 OF 1
ISS. 1 OF 1

No. 700-0002-057-CD

SHT 1 OF 1