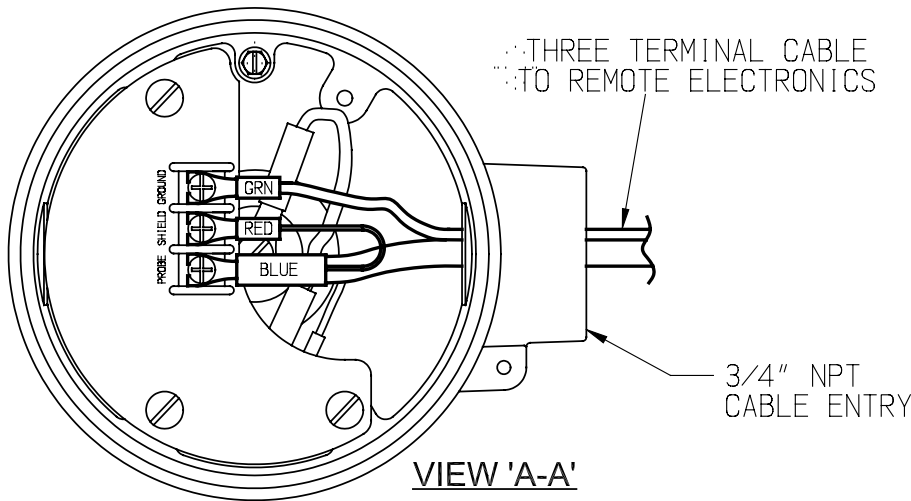
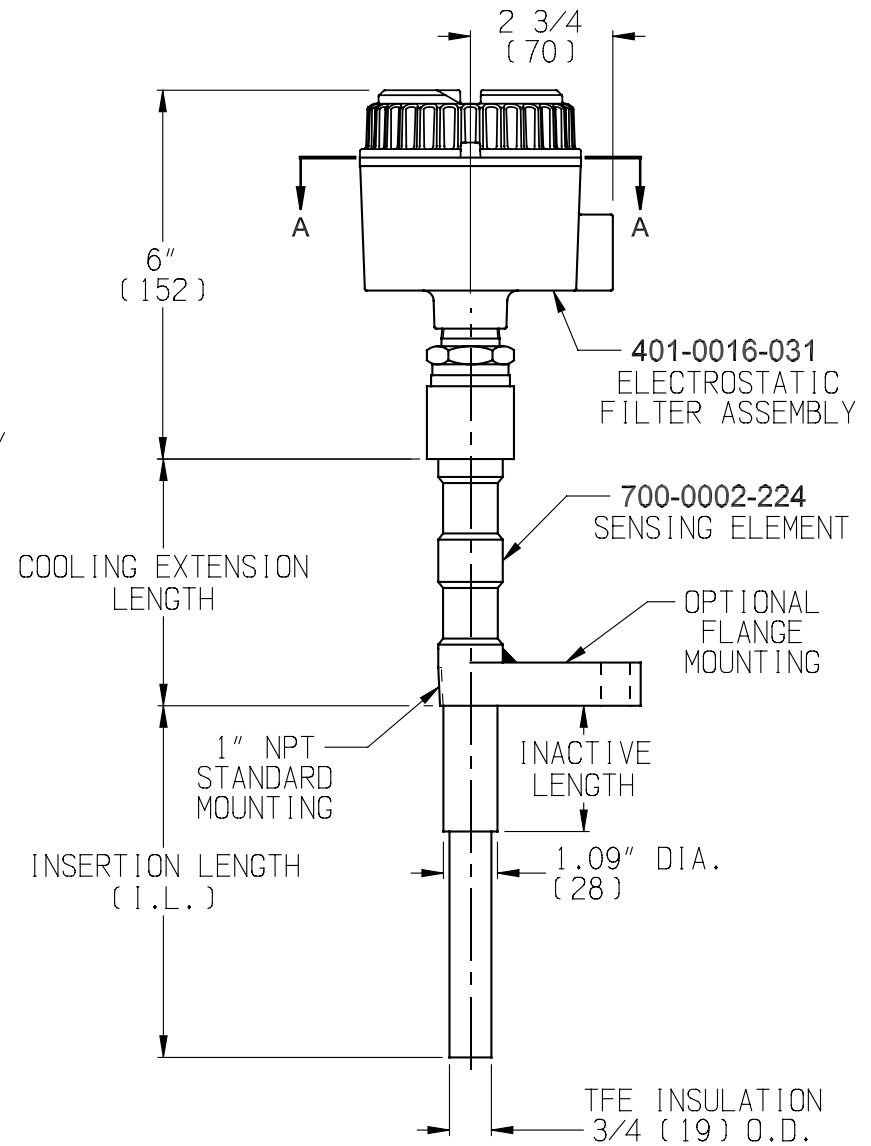


CUSTOMER WIRING (SHOWN BOLD)



△ NOTES:

1. ELECTROSTATIC FILTER ASSEMBLY (401-0016-031) SHOWN INSTALLED ON SENSING ELEMENT (700-0002-224).
2. THE ELECTROSTATIC FILTER ASSEMBLY INCLUDES THE POWDER-COATED ALUMINUM HOUSING.
3. ONLY AVAILABLE WITH REMOTE ELECTRONICS.
4. STANDARD METAL WETTED PARTS: 316 STAINLESS STEEL, NON-METALLIC WETTED PARTS: TFE.
5. COOLING EXTENSION LENGTH:
6" (152) WITH STANDARD 3/4 NPT MOUNTING
12" (305) WITH OPTIONAL FLANGE MOUNTING
6. INACTIVE LENGTH: 6" (152) STANDARD.
7. MINIMUM FLANGE SIZE: 1 1/2" 150# ANSI
8. MAXIMUM INSERTION LENGTH = 18 FT (5486).
9. SENSING ELEMENT PRESSURE AND TEMPERATURE RATINGS ARE:
1000 psi UP TO 100°F OR 6880 kPA UP TO 38°C
500 psi UP TO 450°F 3440 kPA UP TO 232°C



CERTIFIED	by	6	4-12-105	JEN	5-4-12	COPYRIGHT 2012
PO #		5	2-12-110	JEN	3-30-12	AMETEK DREXELBROOK
ENG		4	8-07-111	JEN	9-7-07	SCALE NONE
USER		3	5-03-164	JEN	9-30-03	UNLESS OTHERWISE STATED ALL DIMENSIONS IN INCHES (MM)
		2	6-01-301	JET	10-19-01	DR. JJS 4-26-12
DE #		ISS.	EDO/DSR NO.	APP'D	DATE	CK. DWK 5-4-12



205 KEITH VALLEY RD
HORSHAM, PA 19044-9986
215-674-1234
FAX 215-674-2731

SENSING ELEMENT,
HIGH DENSITY
TEFLON INSULATED
WITH ELECTROSTATIC FILTER,
MOUNTING & WIRING DIAGRAM

700-0002-224-CD SH. 1 OF 1 ISS. 6

No. 700-0002-224-CD

SHT. 1 OF 1