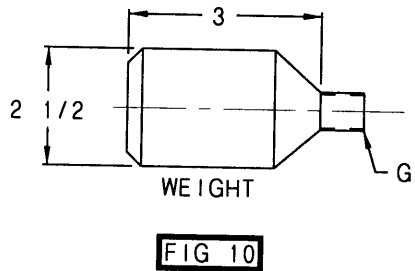
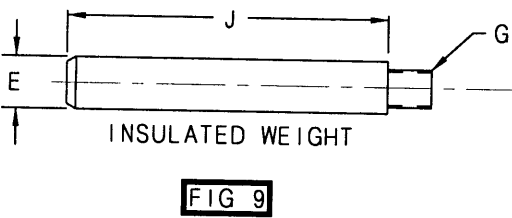
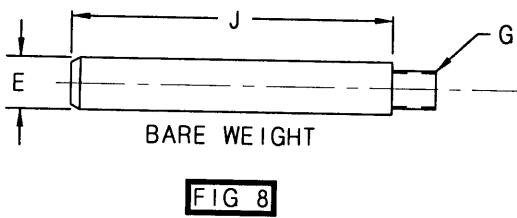
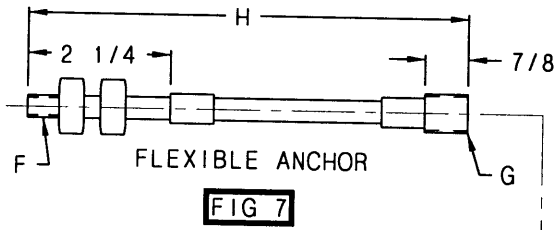
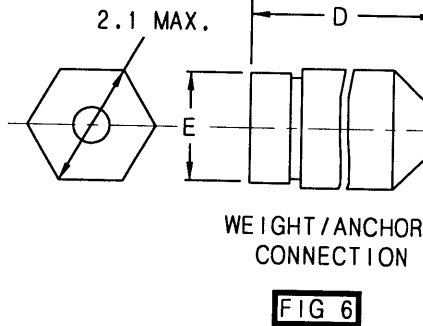
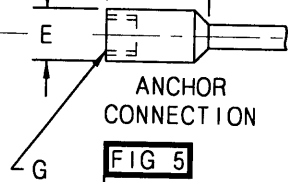
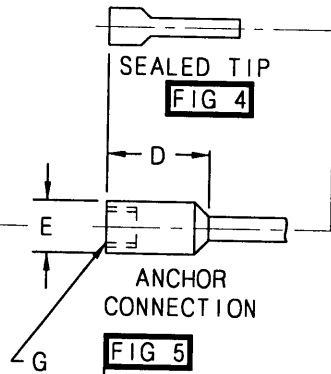


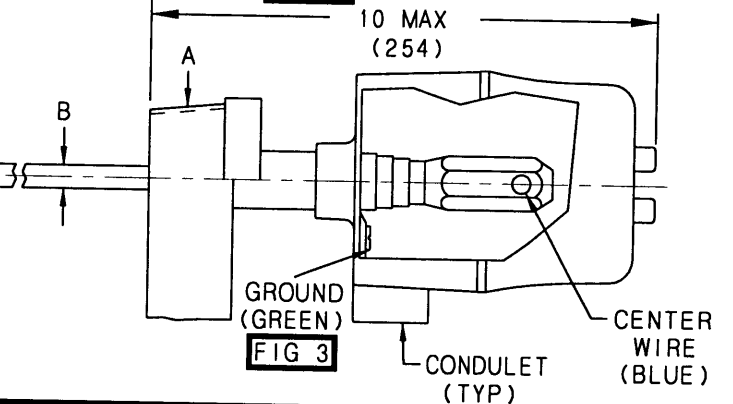
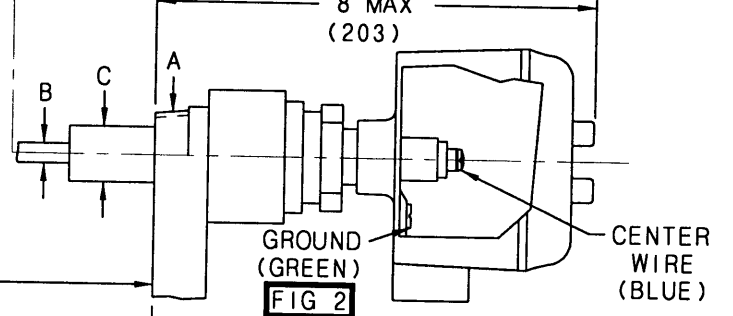
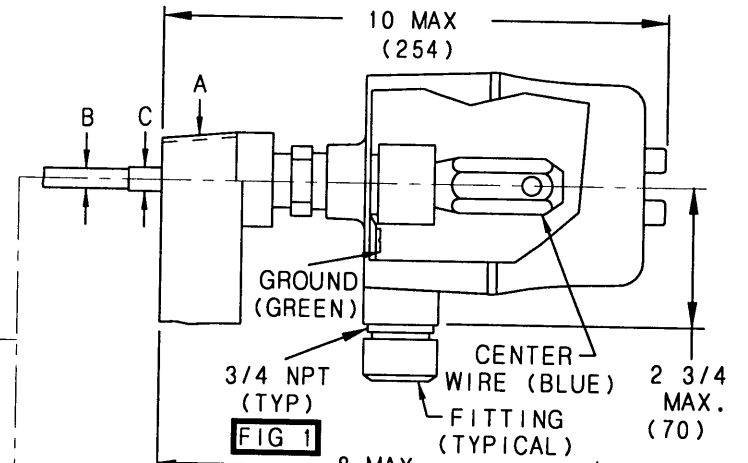
ACCESSORIES



TERMINATIONS



SENSING ELEMENT



CERTIFIED	by					COPYRIGHT 2003
PO #		12	6-02-167	JTS 4-10-03		AMETEK DREXELBROOK
ENG		11	8-99-255	JBR	10-19-99	SCALE NONE
USER		10	3-95-168	ELL	11-16-95	UNLESS OTHERWISE STATED ALL DIMENSIONS IN INCHES (MM)
		9	5-88-163		10-91	DR. CDW
DE #		ISS.	EDO/DSR NO.	APP'D	DATE	CK. JTS 4-10-03

AMETEK®
DREXELBROOK

205 KEITH VALLEY RD
HORSHAM, PA 19044-9986

215-674-1234
FAX 215-674-2731

FLEXIBLE CABLE
SENSING ELEMENT AND
ACCESSORIES

700-0005-018-CD

SHT. 1 OF 2
ISS. OF 2

NO. 700-0005-018-CD

MODEL NUMBER	SENSING ELEMENT						TERMINATIONS			ACCESSORIES				ACCESSORY DIMENSIONS					
	FIG	STD MTG NPT	CABLE DIA. B	CABLE BREAKING STRENGTH LBS	CABLE JACKET MATERIAL	C	STD	OPT	MODIFICATION NUMBER	STD	PART NUMBER	STD	PART NUMBER	D	E	F	G	H	J
		A					FIG	FIG		FIG		FIG							
700-0005-009 ⚠	3	2	3/4	14.000	URETHANE	N/A	6							7	1.90	N/A		N/A	N/A
700-0005-015	1	3/4	3/16	3700	NONE 316 SST	3/8	5			8	752-0280-004	10	752-0287-004	2-5/8	7/8	1/2-20	3/4-10	N/A	2 1
700-0005-018	1	3/4	5/16	4200	X	3/8	5	4 9	MODIF(91-14) MODIF (91-13)			7 8 10	722-0277-040 752-0280-004 752-0287-004	2-5/8	7/8	1/2-20	3/4-10	6-3/8	2 1
700-0005-019 ⚠	3	2	3/4	14.000	MODIFIED URETHANE	1-1/4	6							7	1.90	N/A		N/A	N/A
700-0005-042	1	3/4	3/16	3700	NONE 316 SST	3/8	5					7	722-0277-040	2-5/8	7/8	1/2-20	3/4-10	6-3/8	N/A
700-0005-045	2	3/4	3/16	3700	NONE 316 SST	7/8	5					7 8 10	722-0277-040 752-0280-004 752-0287-004	2-5/8	7/8	1/2-20	3/4-10	6-3/8	2 1
700-0005-048 ⚠	1	3/4	5/16	4200	PFA	3/8	5	4 9	MODIF(91-63) MODIF (91-58)			7 8 10	722-0277-040 752-0280-004 752-0287-004	2-5/8	7/8	1/2-20	3/4-10	6-3/8	2 1

⚠NOTES:

1. REFERENCE 700-0005-048 CD FOR ADDITIONAL INFORMATION.
2. PART NUMBER FOR FIELD SHORTENING KIT FOR 700-0005-009 & 019 IS 280-0015-100.

CERTIFIED	by _____					COPYRIGHT 2003
PO #	_____	12	6-02-167	<i>JJS</i>	<i>4-10-03</i>	AMETEK DREXELBROOK
ENG	_____	11	8-99-255	JBR	10-19-99	SCALE NONE
USER	_____	10	3-95-168	ELL	11-16-95	UNLESS OTHERWISE STATED ALL DIMENSIONS IN INCHES (MM)
DE #	_____	9	2-91-177	JEN	10-3-91	DR. CDW
		ISS.	EDO/DSR NO.	APP'D	DATE	CK. <i>JJS 4-10-03</i>

AMETEK®
DREXELBROOK

205 KEITH VALLEY RD
HORSHAM, PA 19044-9986

215-674-1234
FAX 215-674-2731

FLEXIBLE CABLE
SENSING ELEMENTS
AND ACCESSORIES

700-0005-018-CD SHT. 2 OF 2
ISS. 12

NO. 700-5-18-CD

SHT. 2 OF 2