

NOTE:
 1. ON HORIZONTAL INSTALLATIONS THE SENSOR MUST BE MOUNTED SO THE WRENCH FLATS ARE PARALLEL TO THE SURFACE OF THE PROCESS MATERIAL. THIS WILL ALLOW THE GAP TO DRAIN FREELY.

CERTIFIED	by _____				COPYRIGHT 1999
PO #	_____				DREXELBROOK ENG CO.
ENG	_____				SCALE NONE
USER	_____				UNLESS OTHERWISE STATED ALL DIMENSIONS IN INCHES (MM)
		2	8-99-332	<i>Det</i> 9-22-99	DR. JL 8-13-99
		1	7-96-342	GLM 8-16-96	CK. ASK
DE #	_____	ISS.	EDO/DSR NO.	APP'D	DATE



DREXELBROOK
 Engineering Company

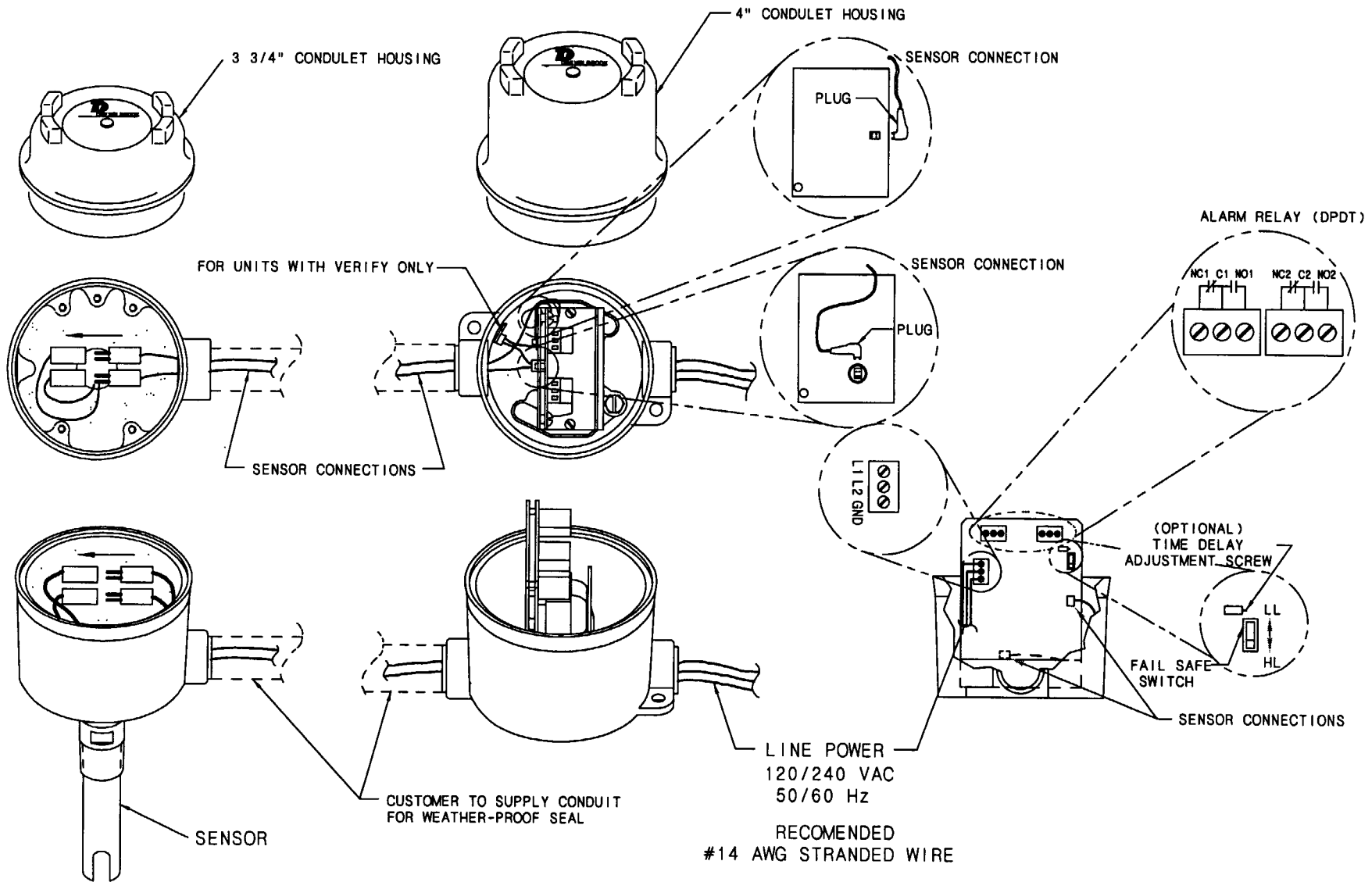
205 KEITH VALLEY RD
 HORSHAM, PA 19044-9988

215-874-1284
 FAX 215-874-2731

REMOTE
 120/240 - VAC
 VeriGAP™ SWITCH
 MOUNTING

504-1000-1-CD2

SHT. 1 OF 2
 ISS. 2



CERTIFIED	by _____				
PO #	_____				
ENG	_____				
USER	_____				
		2	8-99-332	<i>let</i>	9-22-99
		1	7-96-342	GLM	8-16-96
DE #	_____	ISS.	EDO/DSR NO.	APP'D	DATE

COPYRIGHT 1999
DREXELBROOK ENG CO.
SCALE NONE
UNLESS OTHERWISE STATED
ALL DIMENSIONS IN INCHES (MM)
DR. JL 8-13-99
CK. *ASK*

DREXELBROOK
Engineering Company
205 KEITH VALLEY RD HORSHAM, PA 19044-9986 215)874-1234 FAX 215)874-2731

REMOTE
120/240 - VAC
Verigap™ SWITCH
MOUNTING

504-1000-1-CD2

SHT. 2 OF 2

NO. 504-1000-1-CD2
SHT 2 OF 2