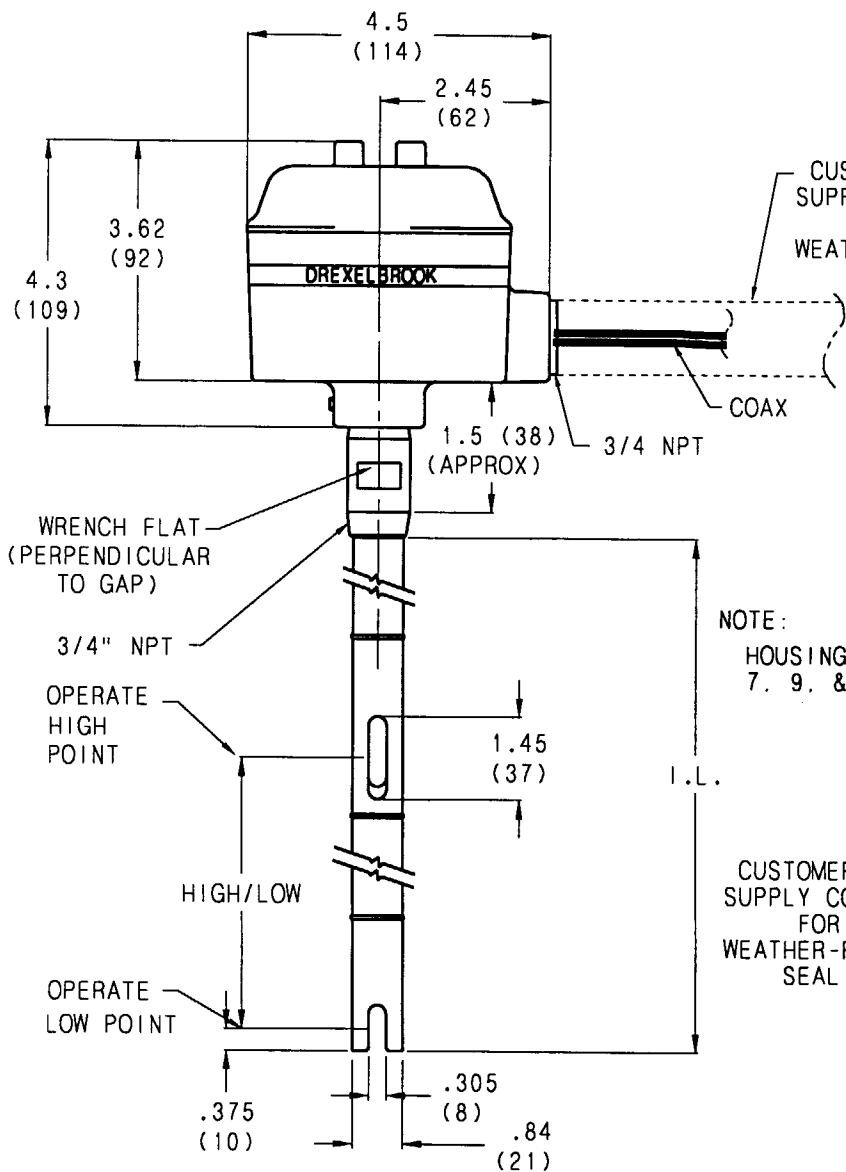
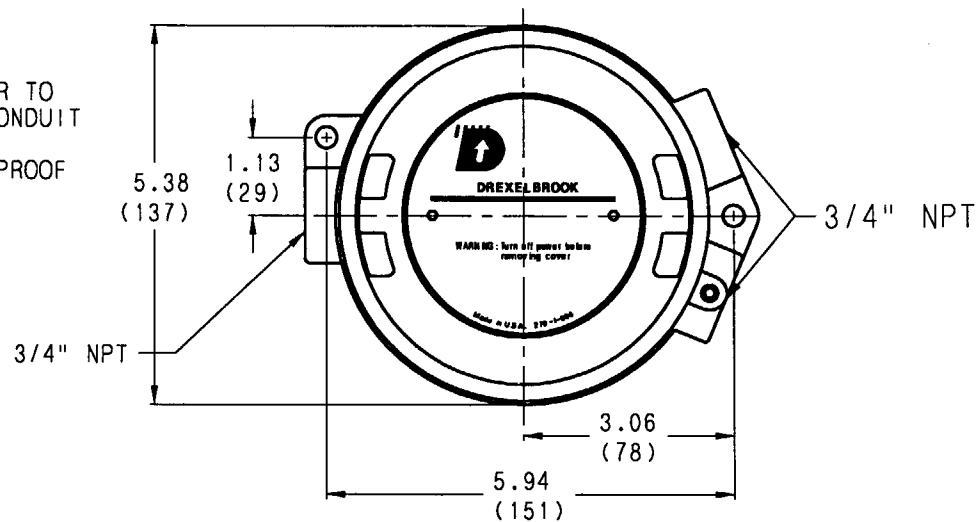


PROBE



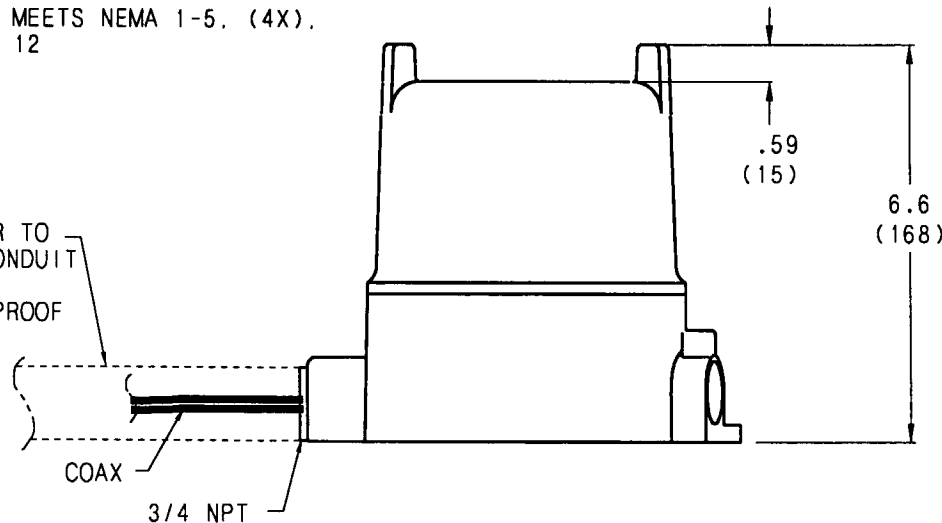
REMOTE ELECTRONICS



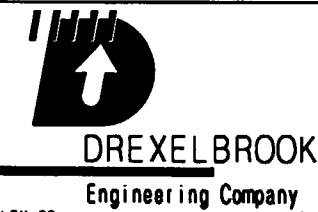
NOTE:

HOUSING MEETS NEMA 1-5, (4X), 7, 9, & 12

CUSTOMER TO SUPPLY CONDUIT FOR WEATHER-PROOF SEAL



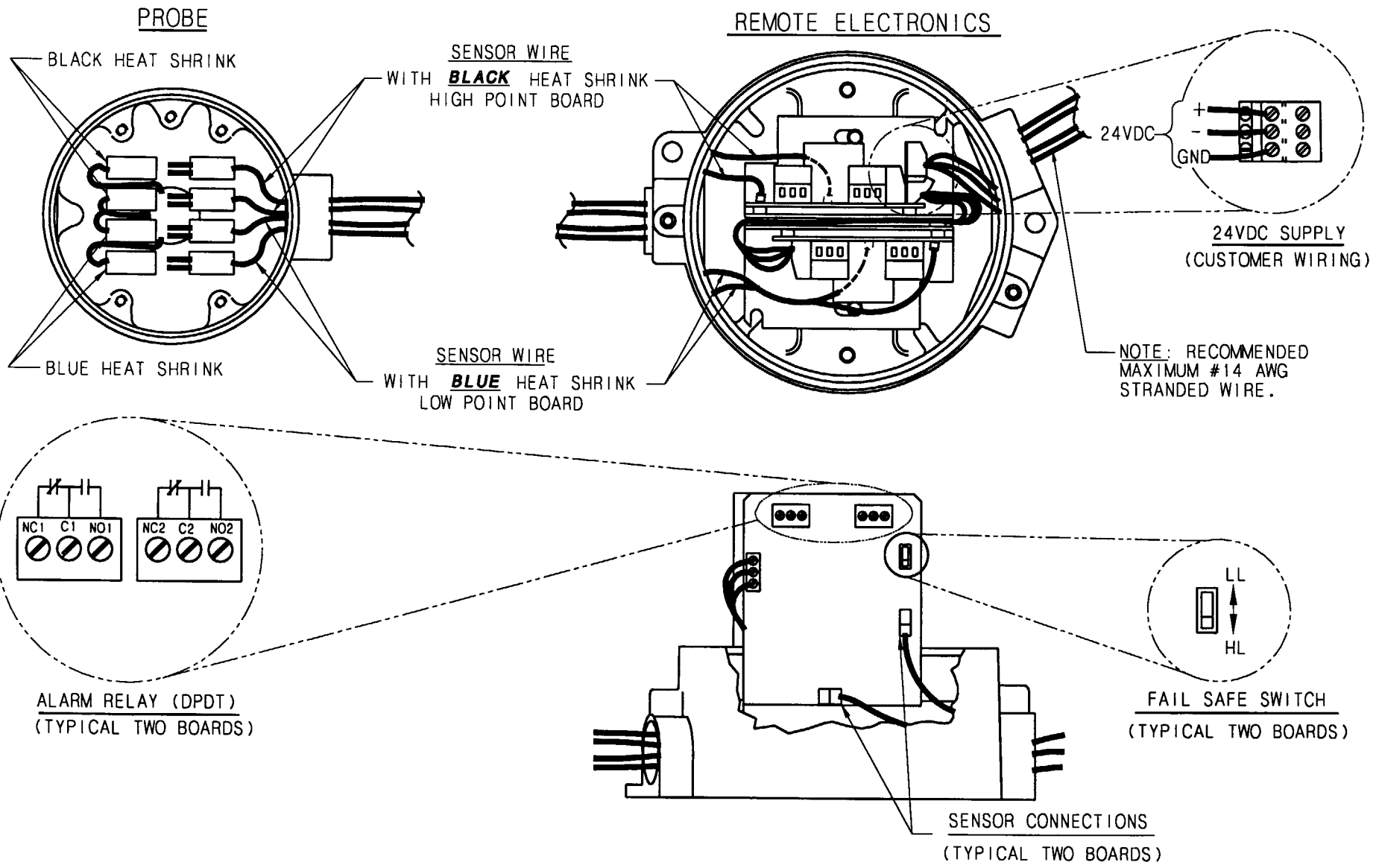
CERTIFIED	by				COPYRIGHT 1998
PO #					DREXELBROOK ENG CO.
ENG		3	9-98-244	GLM 10-1-98	SCALE NONE
USER		2	8-97-248	WS 10-13-97	UNLESS OTHERWISE STATED ALL DIMENSIONS IN INCHES (MM)
		1	5-96-342	GLM 10-21-96	DR. JJS 9-18-98
DE #	ISS.	EDO/DSR NO.	APP'D	DATE	CK. ASK



205 KEITH VALLEY RD  
HORSHAM, PA 19044-9986  
215-674-1234  
FAX 215-674-2731

MOUNTING DIMENSIONS FOR REMOTE 24VDC DUAL VERIGAP

504-1160-1-CD2  
SHT. 1 OF 2  
ISS. 3



NOTE: RECOMMENDED  
MAXIMUM #14 AWG  
STRANDED WIRE.

CERTIFIED	by _____				COPYRIGHT 1998
PO #	_____				DREXELBROOK ENG CO.
ENG	_____	3	9-98-244	GLM 10-1-98	SCALE NONE
USER	_____	2	8-97-248	WS 10-13-97	UNLESS OTHERWISE STATED ALL DIMENSIONS IN INCHES (MM)
	_____	1	5-96-342	GLM 10-21-96	DR. JJS 9-18-97
DE #	_____	ISS.	EDO/DSR NO.	APP'D	DATE
				CK. ASK	

**DREXELBROOK**  
Engineering Company

205 KEITH VALLEY RD  
HORSHAM, PA 19044-9988

215-674-1234  
FAX 215-674-2731

WIRING FOR REMOTE  
24VDC DUAL VERIGAP

504-1160-1-CD2

SHT. 2 OF 2  
OF 2 3